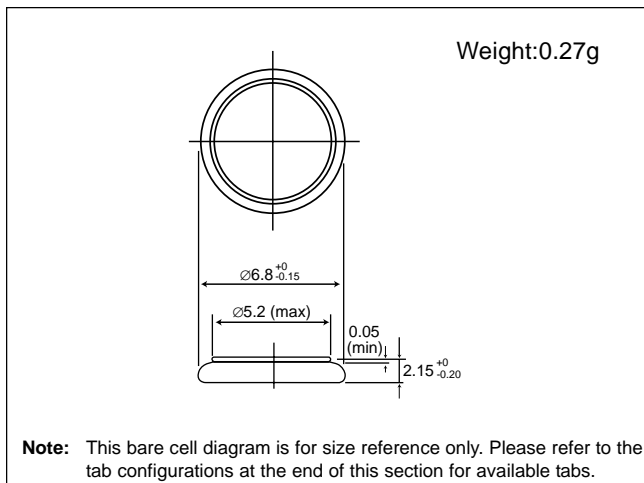


Vanadium Pentoxide Lithium Coin Batteries (VL Series): Individual Specifications

VL621

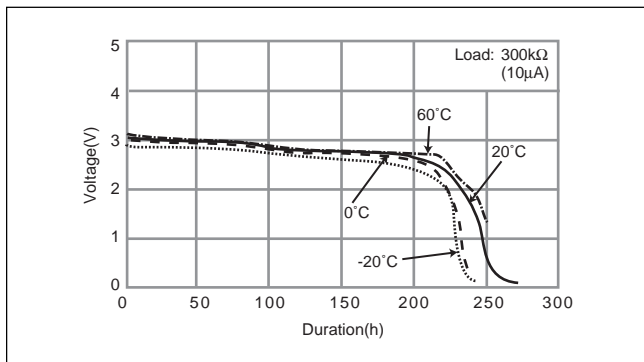
■ Dimensions(mm)



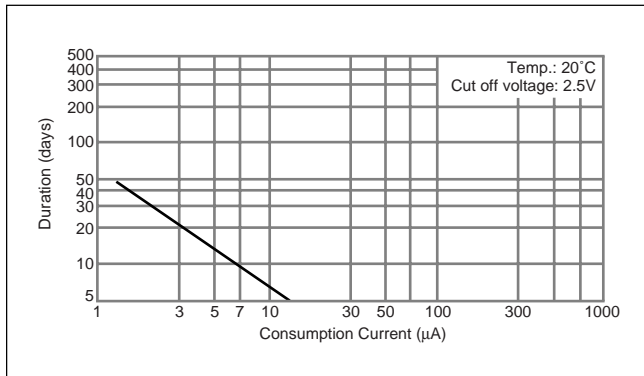
■ Specification

| | |
|-------------------------------|-----------|
| Nominal voltage (V) | 3 |
| Nominal capacity (mAh) | 1.5 |
| Continuous standard load (mA) | 0.01 |
| Operating temperature (C) | -20 ~ +60 |

■ Discharge Temperature Characteristics

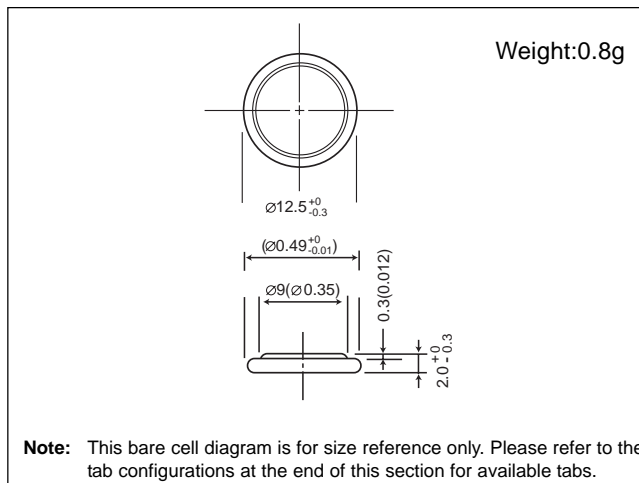


■ Consumption current vs. Duration time



VL1220

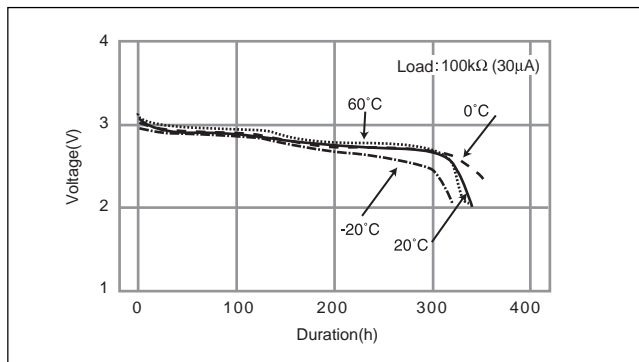
■ Dimensions(mm)



■ Specification

| | |
|-------------------------------|-----------|
| Nominal voltage (V) | 3 |
| Nominal capacity (mAh) | 7.0 |
| Continuous standard load (mA) | 0.02 |
| Operating temperature (C) | -20 ~ +60 |

■ Discharge Temperature Characteristics



■ Consumption current vs. Duration time

