

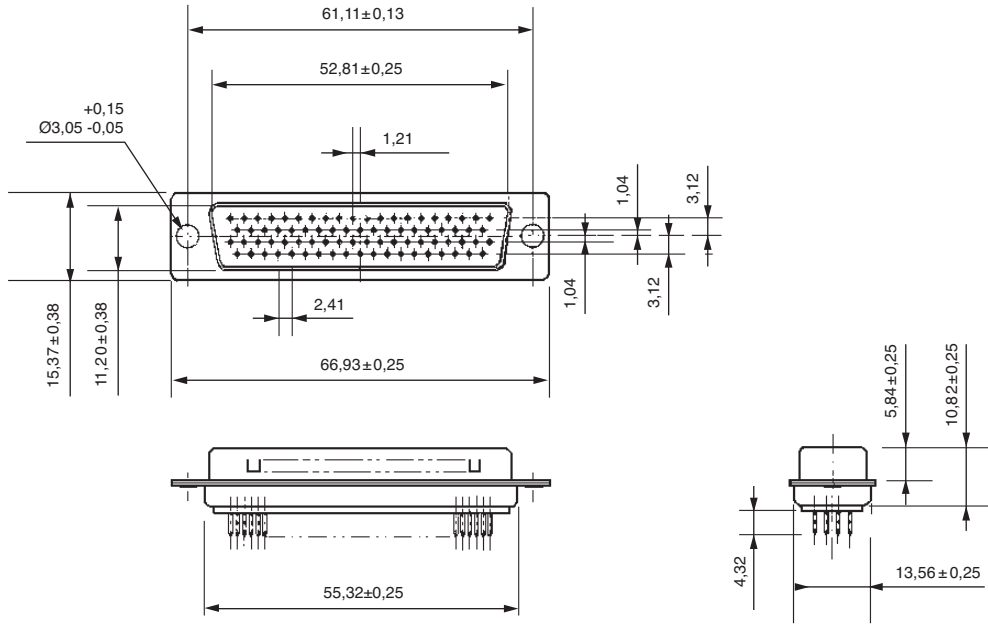
Plug 78 contacts



Designation

Shell size / Arrangement	Through hole	Captive nut thread 4 - 40	Screwlock thread 4 - 40	Boardlock and thread 4-40 2B	Boardlock and screwlock 4 - 40 2B
D / 78	ZDDA78POL2	ZDDAE78POL2	ZDDAE78POL2-AB	ZDDAE78POL2-146	ZDDAE78POL2-AB-146

Note: Class 2 - Add suffix A191 Example: ZDDA78POL2-A191



- Mounting options, page 38
- PCB hole pattern, page 35
- Panel cutout, page 39



Dimensions shown in mm
Specifications and dimensions subject to change

www.ittcannon.com