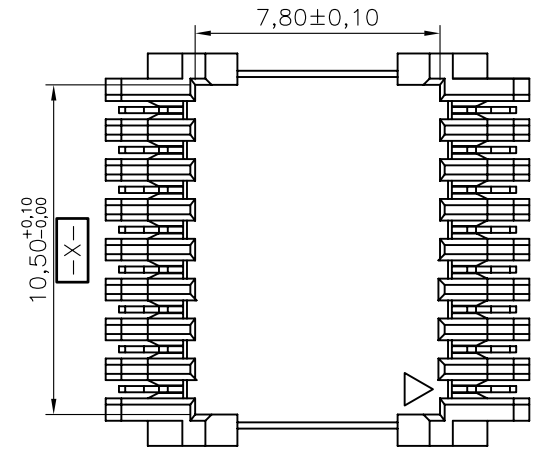
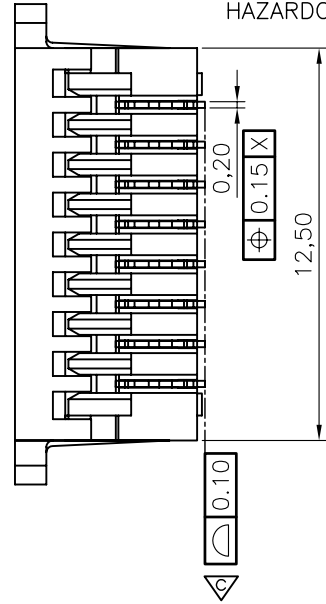
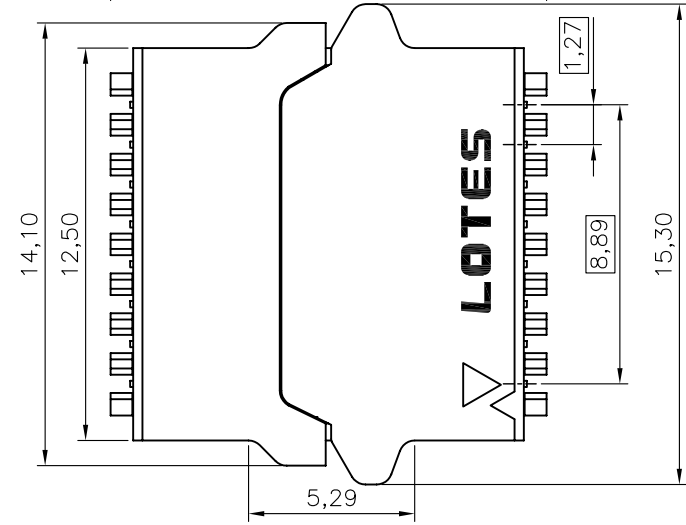
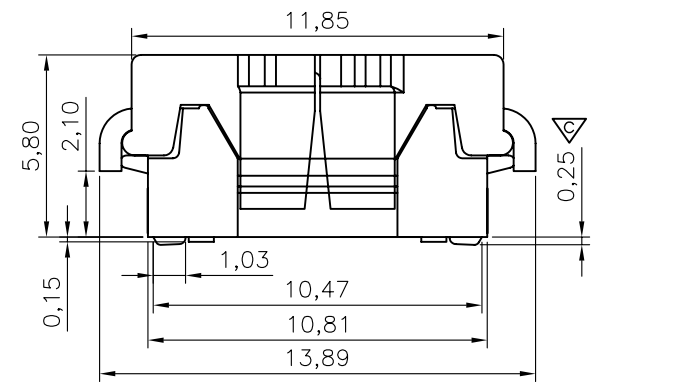


REV.	ECN NO. / DESCRIPTION	DATE
1	SN70033	3/1 '07
2	SN70071	3/20'07
2A	SN*****	02/26'09

NOTES:

- MATERIALS:
HOUSING:LCP UL94V-0 COLOR:BLACK
COVER:LCP UL94V-0 COLOR:BLACK
TERMINAL:C5210 T=0.20
- FINISH:SEE TABLE 1.
- TOLERANCES NON-CUMULATIVE.
- ACCORDING TO THE ENVIRONMENTAL REQUIREMENT,WE GUARATEE THE CONTROLLED HAZARDOUS SUBSTANCES MEET ROHS COMPLIANT REQUIREMENT



THE TOP VIEW WITHOUT COVERS

TABLE 1

PART NO.	SPECIFICATION
ACA-SPI-006-K02	Ni 50u" MIN,15u" Au plating over all
ACA-SPI-006-K01	Ni 50u" MIN,Gold flash over all

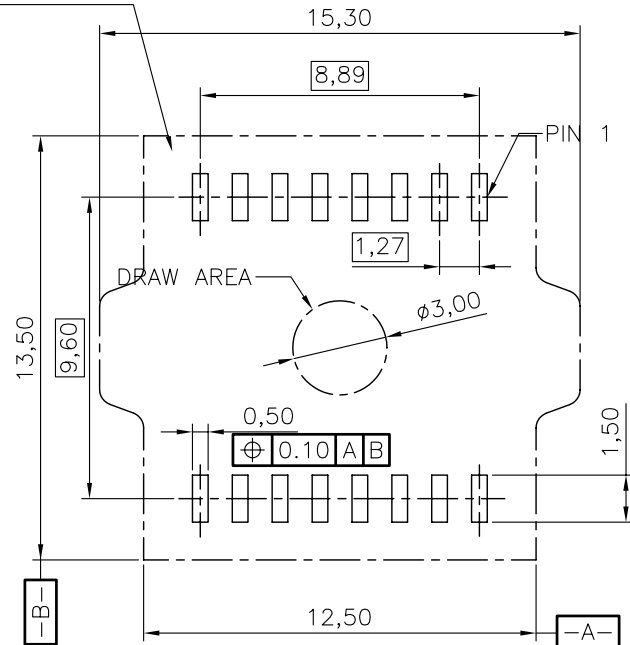
GENERAL TOLERANCES UNLESS SPECIFIED	
.X ±0.35	X.°±3°
.XX ±0.25	.X°±2°
.XXX ±0.15	.XX°±1°
SIZE	UNITS
A4	MM[INCH]

PART NO.
SEE TABLE
APPROVED BY
Barney 02/26'09
CHECKED BY
Yuegao li 02/26'09
DRAWN BY
Sky 02/26'09

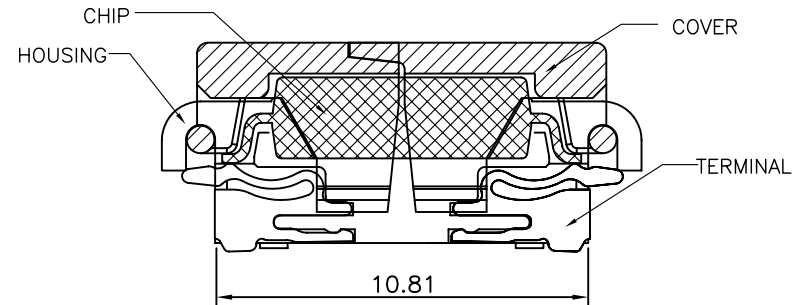
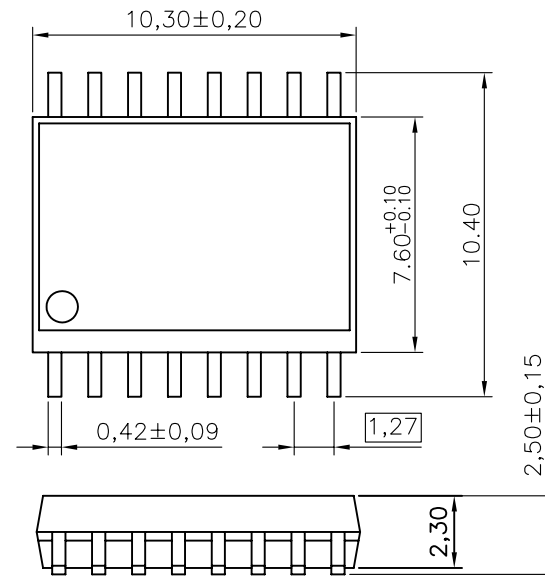
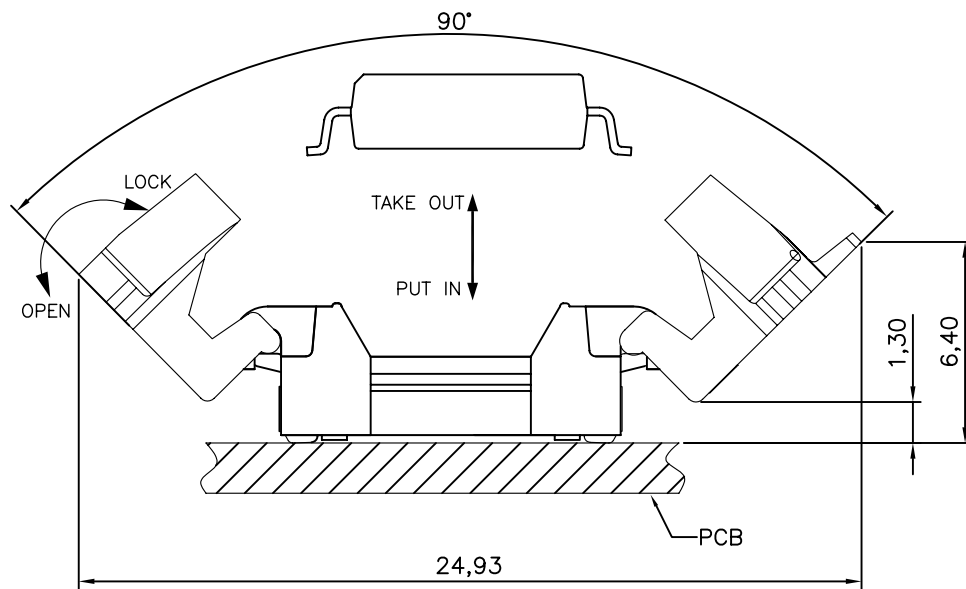
LOTES			
TITLE			
SPI FLASH SOCKET FOR SOIC 16PIN			
DWG NO.			
AP-ACA-SPI-006-K			
SHEET		SCALE	REV
1 / 2		4 : 1	2A

REV.	ECN NO. / DESCRIPTION	DATE
1	SN70033	3/1'07
2	SN70071	3/20'07
2A	SN*****	02/26'09

RECOMMENDED MATING
ASSY'S OUTLINE



RECOMMENDED PCB LAYOUT FOR USE
CONNECTOR MOUNTING SIDE



GENERAL TOLERANCES UNLESS SPECIFIED		PART NO. SEE TABLE	LOTES		
.X ±0.35	X.° ±3°				
.XX ±0.25	.X.° ±2°	APPROVED BY Barney 02/26'09	TITLE SPI FLASH SOCKET FOR SOIC 16PIN		
.XXX ±0.15	.XX.° ±1°	CHECKED BY yuegao LI 02/26'09	DWG NO. AP-ACA-SPI-006-K		
CUSTOMER DRAWING		DRAWN BY Sky 02/26'09	SHEET 2 / 2	SCALE 4 : 1	REV 2A
SIZE A4	UNITS MM [INCH]				