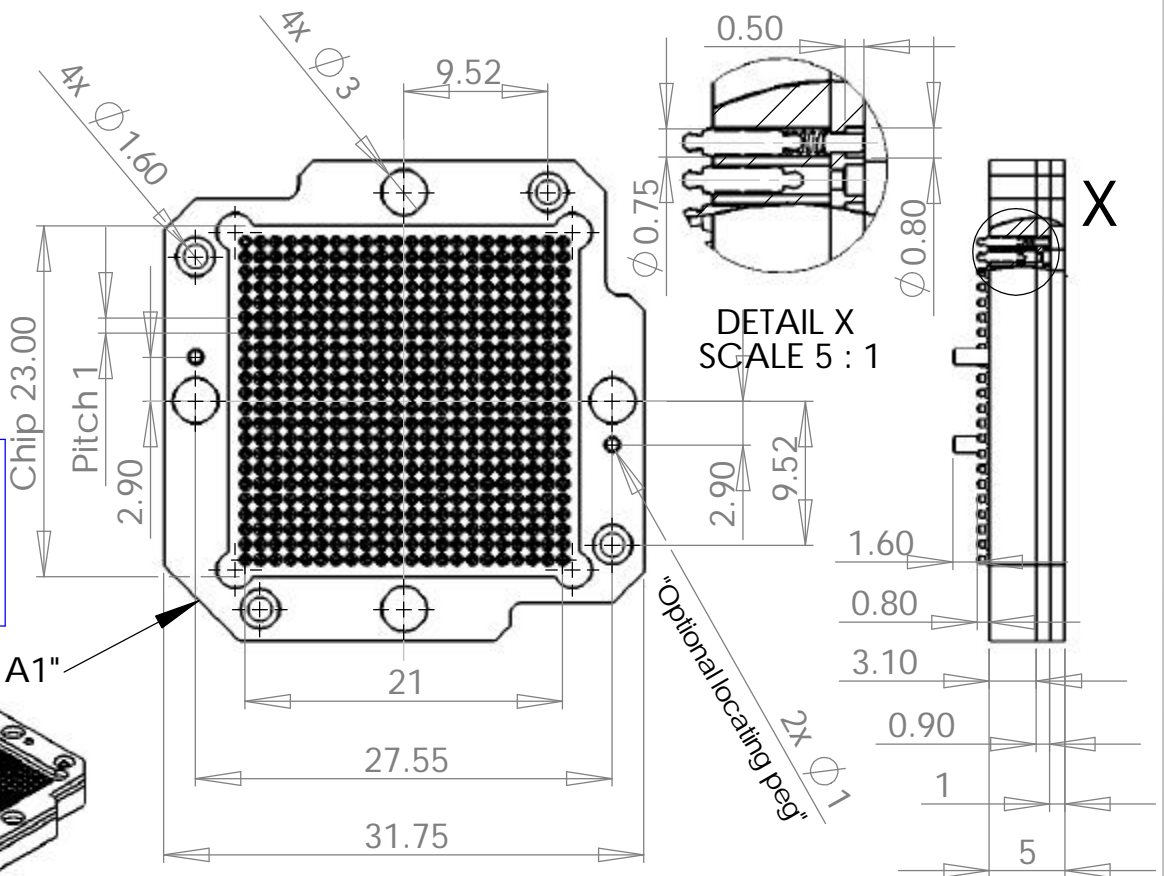


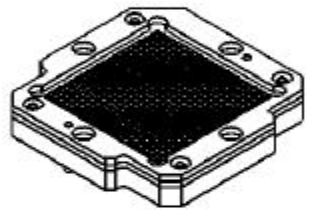
Socket

Material: TG 200
 Thickness: 5.00 mm
 484 contacts

Recommended PCB layout for BGA socket
 PCB holes for locating pegs - $\varnothing 1.10 \pm 0.02$
 PCB pad diameter - minimum $\varnothing 0.60$

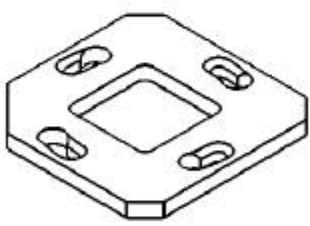
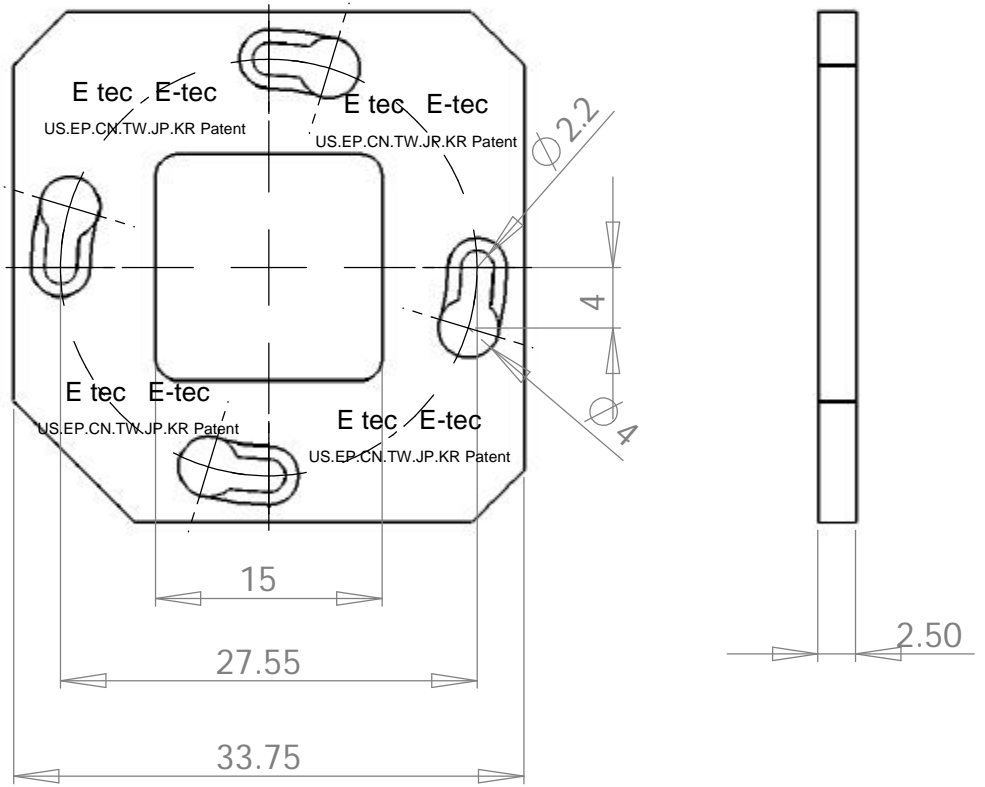


"Corner A1"



Retention frame

Material: Epoxy FR4
 Thickness: 2.50mm



UNLESS OTHERWISE SPECIFIED:
 DIMENSIONS ARE IN MILLIMETERS
 SURFACE FINISH:
 GENERAL TOLERANCES: ± 0.10
 LINEAR:
 ANGULAR:

"top view drawing"

Remark: BUA screw Lock socket, 484 pins,
 Pitch 1.00mm, matrix 22x22
 Retention frame, Basic system 18x18



www.e-tec.com

Modification	Visa	Date	Drawn by	Date	Name		
DRAWN	0	L.G	29.09.05	L.G	29.09.05	w/o locating pegs "E-tec code"	BUW484-1030-22AA01 A4V
CHK'D						w/o locating pegs "Production code"	BUW0484-10-07201-22AAA
APP'VD	K.S	29.09.05	Scale: 2:1			with locating pegs "E-tec code"	BUW484-1030-22AA01L 0
MFG						MATERIAL:	
Q.A			WEIGHT:	SHEET 1 OF 1			

The information contained in this drawing is proprietary to E-tec and shall not be reproduced or disclosed in whole or in part or used for any design or manufacture except where such user possesses direct, written authorization from E-tec