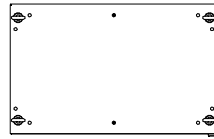
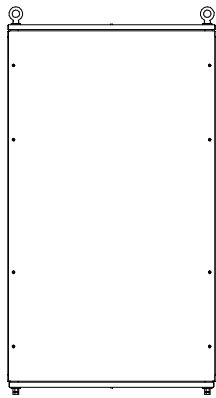
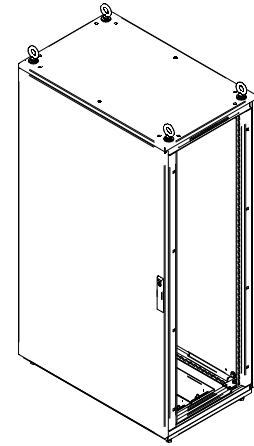


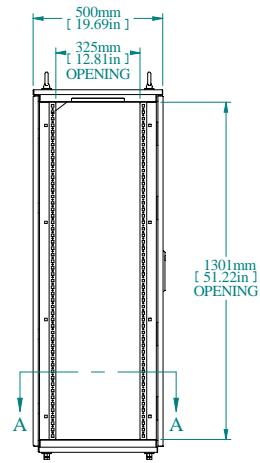
SECTION A-A



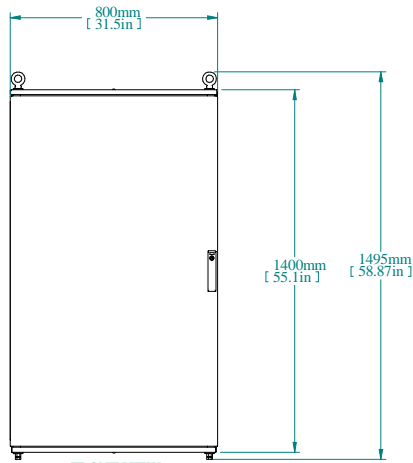
TOP VIEW



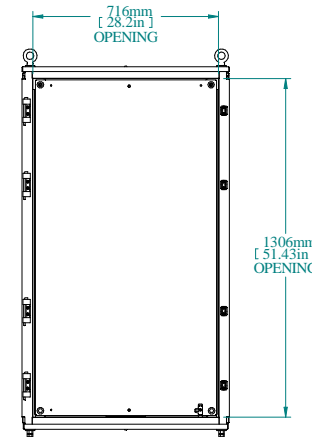
REAR VIEW



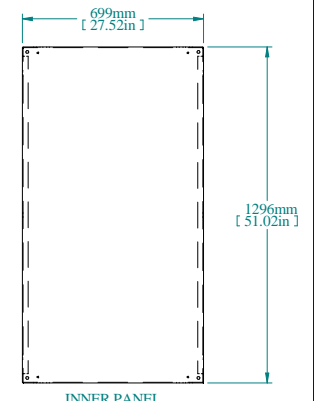
L.S. VIEW



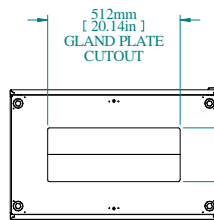
FRONT VIEW



FRONT VIEW DOOR REMOVED



INNER PANEL



BOTTOM VIEW

206mm [8.13in]
GLAND PLATE
CUTOUT

| PART NUMBERS | |
|--------------|--------------------------------|
| HME1485 | PAINTED TEXTURED GRAY RAL 7035 |

| NOTES |
|---|
| Welded Assembly See Hammond Website for Additional Accessories |

Data subject to change without notice. Isometric drawing not to scale.



**HAMMOND
MANUFACTURING™**
www.hammondmfg.com
PART NO. HME1485