

Low Loss Flexible Version of 047 Semi-rigid Coax Cable Double Shielded with Gray FEP Jacket

TECHNICAL DATA SHEET

PE-P047LL

Low Loss Flexible Version of 047 Semi-rigid Coax Cable Double Shielded with Gray FEP Jacket

Configuration

| | |
|--------------------------------------|-------------------------------------------------------|
| Cable Design | Low Loss |
| Inner Conductor Material and Plating | Copper, Silver |
| Dielectric Type | FEP (AS) |
| Shield Materials | Silver Plated Copper Tape, Silver Plated Copper Braid |
| Jacket Material and Color | FEP, Gray |

Electrical Specifications

| | |
|----------------------------------|-------------|
| Impedance, Ohms | 50 |
| Velocity of Propagation, % | 87 |
| Time Delay, ns/ft [ns/m] | 1.17 [3.84] |
| Maximum Operating Frequency, GHz | 20 |
| RF Shielding, dB | 45 |
| Capacitance, pF/ft [pF/m] | 23 [75.46] |

Mechanical Specifications

Inner Conductor

| | |
|-------------------|--------------|
| Number of Strands | 1 |
| Material | Copper |
| Plating | Silver |
| Diameter, in [mm] | 0.013 [0.33] |

Dielectric:

| | |
|-------------------|--------------|
| Type | FEP (AS) |
| Diameter, in [mm] | 0.032 [0.81] |

Shield:

| | |
|-------------------|----------------------------|
| Number of | 2 |
| Material 1 | Silver Plated Copper Tape |
| Material 2 | Silver Plated Copper Braid |
| Diameter, in [mm] | 0.046 [1.17] |

Jacket:

| | |
|-----------------------|--------------|
| Material | FEP |
| Diameter, in [mm] | 0.056 [1.42] |
| Color | Gray |
| Weight, lbs/ft [Kg/m] | 0.004 [0.01] |

Compliance Certifications (visit www.Pasternack.com for current document)

| | |
|----------------|-----|
| RoHS Compliant | Yes |
|----------------|-----|

Click the following link (or enter part number in "SEARCH" on website) to obtain additional part information including price, inventory and certifications: [Low Loss Flexible Version of 047 Semi-rigid Coax Cable Double Shielded with Gray FEP Jacket PE-P047LL](#)

The information contained in this document is accurate to the best of our knowledge and representative of the part described herein. It may be necessary to make modifications to the part and/or the documentation of the part, in order to implement improvements. Pasternack reserves the right to make such changes as required. Unless otherwise stated, all specifications are nominal.

Low Loss Flexible Version of 047 Semi-rigid Coax Cable Double Shielded with Gray FEP Jacket

TECHNICAL DATA SHEET

PE-P047LL

Plotted and Other Data

Notes:

Values at 25 °C, sea level

Low Loss Flexible Version of 047 Semi-rigid Coax Cable Double Shielded with Gray FEP Jacket from Pasternack Enterprises has same day shipment for domestic and International orders. Our RF, microwave and fiber optic products maintain a 99% availability and are part of the broadest selection in the industry.

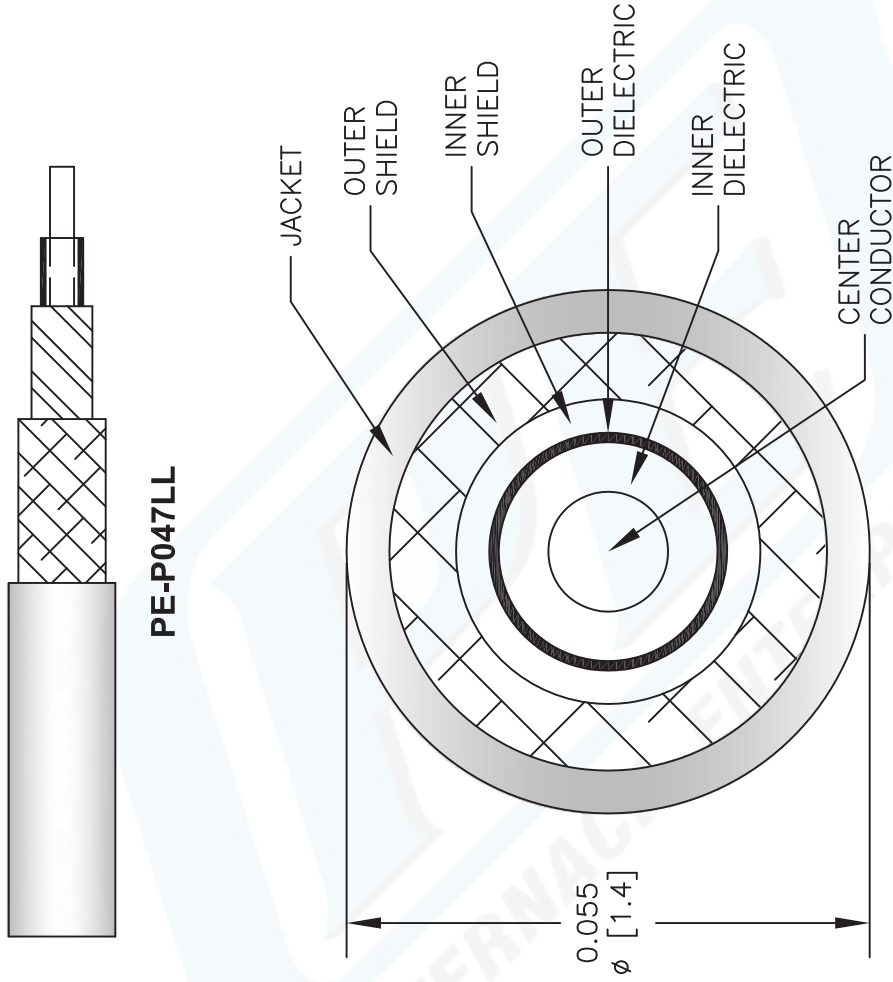
Click the following link (or enter part number in "SEARCH" on website) to obtain additional part information including price, inventory and certifications: [Low Loss Flexible Version of 047 Semi-rigid Coax Cable Double Shielded with Gray FEP Jacket PE-P047LL](#)

URL: <http://www.pasternack.com/low-loss-0.056-semirigid-replacement-50-ohm-coax-cable-fep-jacket-pe-p047ll-p.aspx>

The information contained in this document is accurate to the best of our knowledge and representative of the part described herein. It may be necessary to make modifications to the part and/or the documentation of the part, in order to implement improvements. Pasternack reserves the right to make such changes as required. Unless otherwise stated, all specifications are nominal.

PE-P047LL CAD Drawing

Low Loss Flexible Version of 047 Semi-rigid Coax Cable
Double Shielded with Gray FEP Jacket



NOTES:
1. UNLESS OTHERWISE SPECIFIED ALL DIMENSIONS ARE NOMINAL.
2. ALL SPECIFICATIONS ARE SUBJECT TO CHANGE WITHOUT NOTICE AT ANY TIME.
3. DIMENSIONS ARE IN INCHES [mm].

DWG TITLE
PE-P047LL

FSCM NO. 53919

CAD FILE 092012-A

SCALE N/A

SIZE A

2233

PE PASTERNAK®
Pasternack Enterprises, Inc.
P.O. Box 16759 | Irvine | CA | 92623
Phone: (949) 261-1920 | Fax: (949) 261-7451
Website: www.pasternack.com | E-Mail: sales@pasternack.com