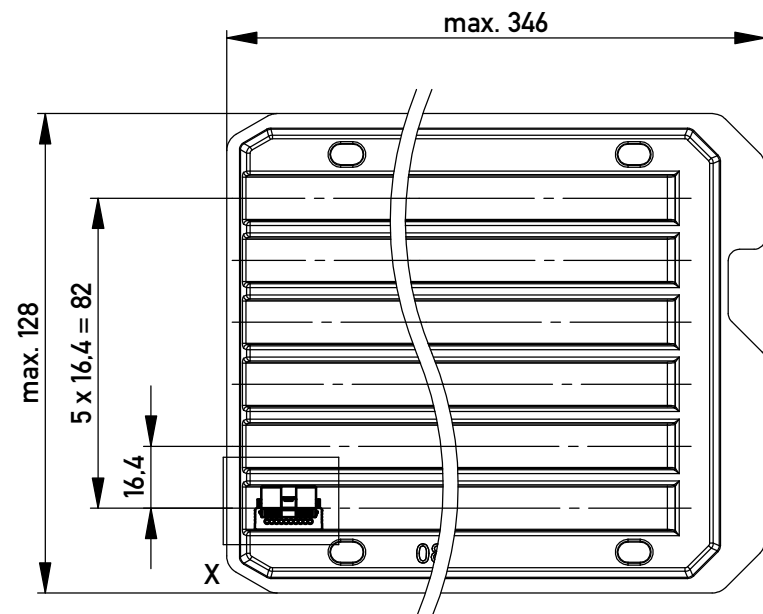
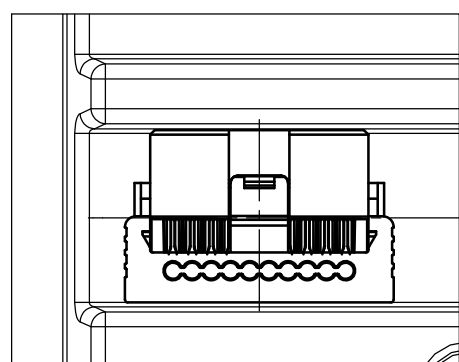


Einzelheit X - detail X  
M 2:1

Verpackt in Tray - tray packaging  
Verpackungseinheit 102 Stück - packaging unit 102 pcs



\* Federkontakt AWG 26 - Female Contact AWG 26  
Kabelführung  $\phi 1,07$  - cable guide  $\phi 1,07$

ohne Hilfsmittel lösbar  
without tool unlockable

Information:		Tolerances	All Dimensions in mm	Scale 5:1
All rights reserved. Only for Information. To ensure that this is the latest version of this drawing, please contact one of the ERNI companies before using.		Subject to modification without prior notice. Drawing will not be updated.		Designation <b>1,27 SRC P SKV, 10-polig</b> <b>1,27 SRC P IDC, 10-pin</b>
a		01.03.2012		www.ERNI.com
Index		Date		
100600260001				K A3
Class				SRCP

Copyright by ERNI GmbH  
Proprietary notice pursuant to ISO 16016 to be observed.