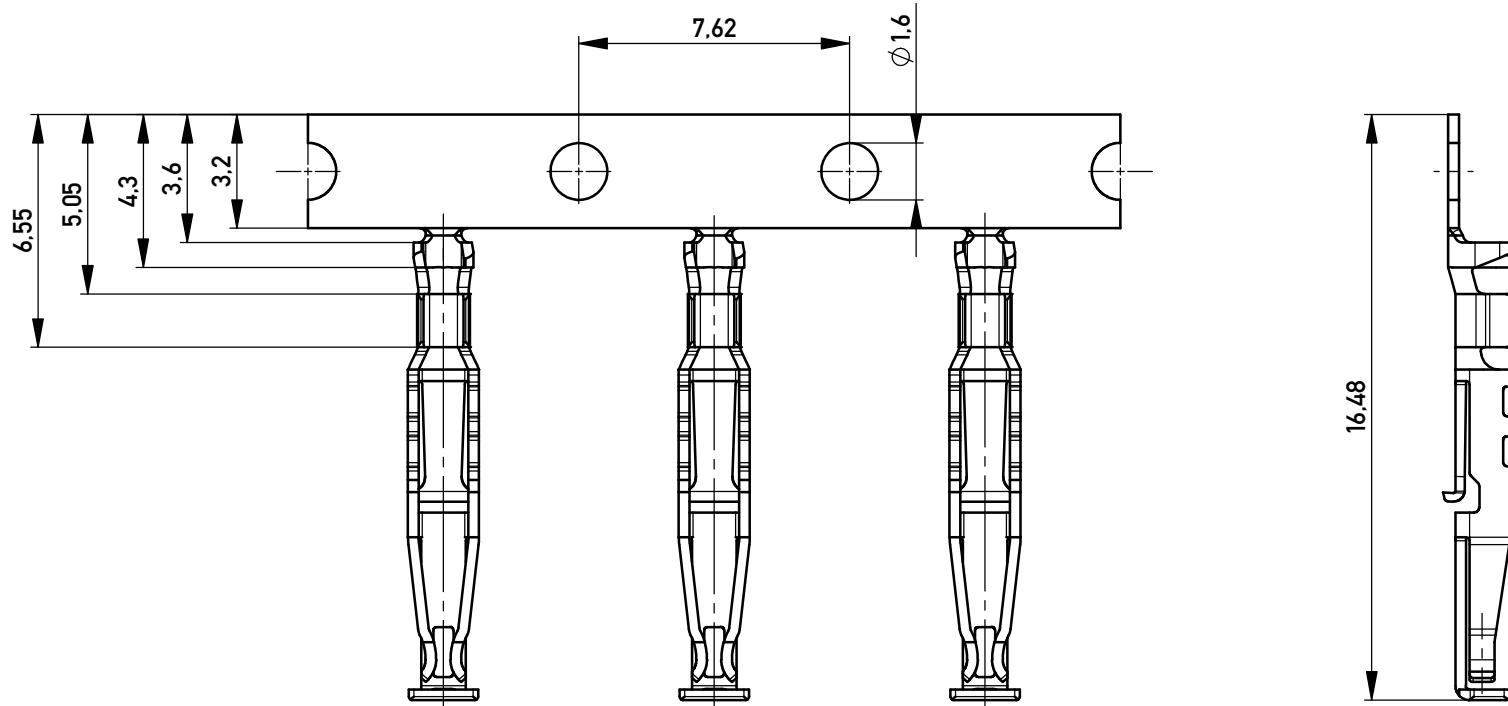
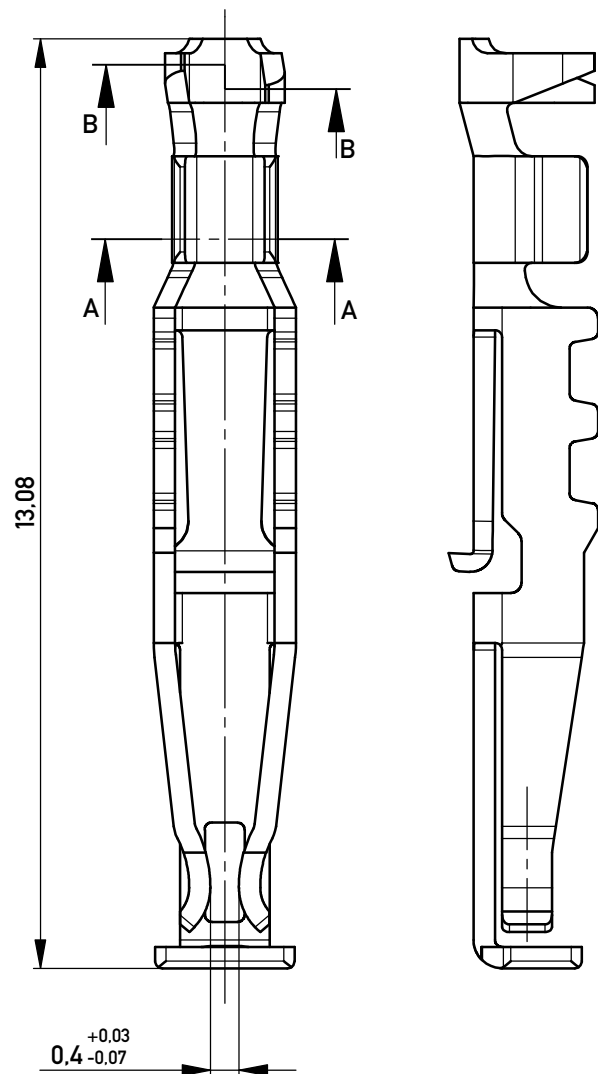


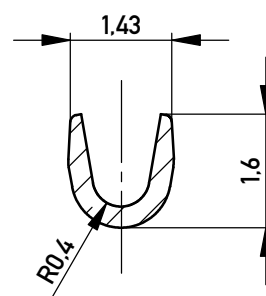
Federkontakte am Band
spring contact on carrier strip



Federkontakt vereinzelt
spring contact isolated

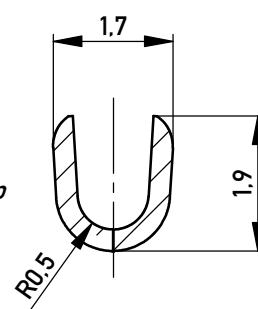


Schnitt A-A
cross section A-A
M 10:1

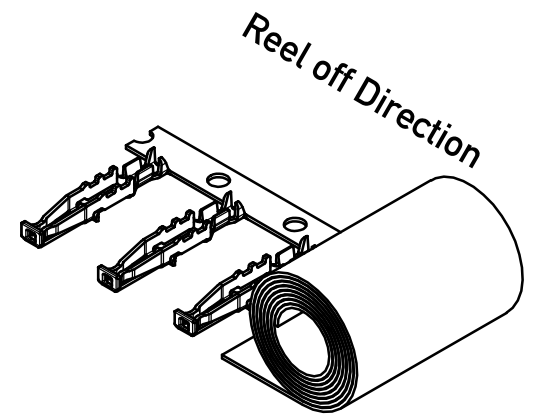


Drahtcrimp
wire crimp

Schnitt B-B
cross section B-B
M 10:1



Isolationscrimp
insulation crimp



AWG 24-26	10.000	∅ 630	137	
Leiterquerschnitt wire cross section	Menge quantity	Spulendurchmesser reel diameter	Anforderungsstufe class	Bemerkung remark

<small>Copyright by ERNI GmbH Proprietary notice pursuant to ISO 16016 to be observed.</small>	Information:	Tolerances	 All Dimensions in mm	Scale 2:1
	All rights reserved. Only for Information. To ensure that this is the latest version of this drawing, please contact one of the ERNI companies before using.	Subject to modification without prior notice. Drawing will not be updated.	Designation Federkontakte 2,54 SRC-A BA1 <i>Spring contact 2,54 SRC-A</i>	
f Index	10.04.2013 Date		www.ERNI.com	102302070001 Class SRCBUT
				K A3