

## SPECIFICATIONS

### Mechanical

**Plug Mating Force:** 4.50kgf (9.92Lb) max  
**Plug Unmating Force:** 1.00~4.00kgf (2.21~8.82Lb)  
**Durability:** 10000 Cycles

### Electrical

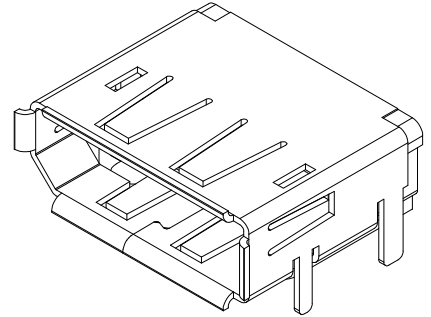
**Current Rating:** 0.50A min  
**Contact Resistance:** 30mW max. (Initial)  
 60mW max. (After life test)  
**Dielectric Withstanding Voltage:** 500V AC RMS  
**Insulation Resistance:** Unmated plug: 100MW min at 500V DC  
 Mated plug: 10MW min at 500V DC

### Physical

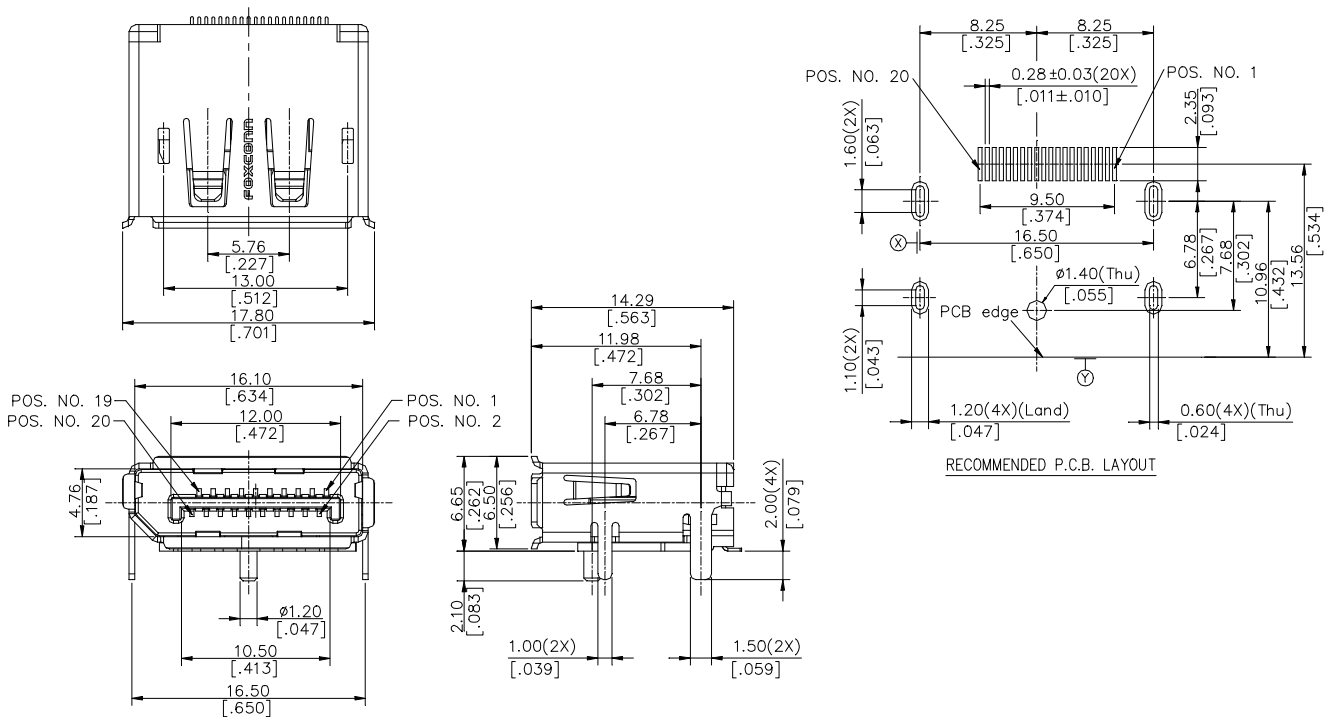
**Housing:** Thermoplastic, UL 94V-0 rated  
**Contact:** Copper alloy  
**Plating:** See "ORDERING INFORMATION"  
**Operating Temperature:** -40 to +85

## Displayport Connector

**3V Series**  
**Displayport, R/A,**  
**SMT Type**



## DRAWING



## ORDERING INFORMATION

PRODUCT NO.: 3VD5120\*-H7JJ-4H

Display port series	3	Product series	V	Termination type	5	Connector type	1	5. No. of Pos.	20	Lead code	H	Package code	4	Extension code	J	Contact Area Plating	3
		D=Standard type		5=R/A SMT		1=Receptacle				H=Halogen-free		4=Soft tray				3=30μ" Gold	
																7=15μ" Gold	