

SPECIFICATIONS

Mechanical

Plug Mating Force: 4.50kgf (9.92Lb) max
Plug Unmating Force: 1.00~4.00kgf (2.21~8.82Lb)
Durability: 10000 Cycles

Electrical

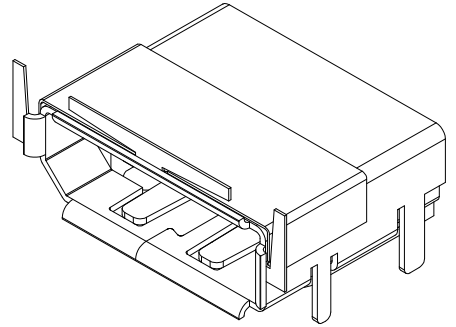
Current Rating: 0.50A min
Contact Resistance: 30mW max. (Initial)
 60mW max. (After life test)
Dielectric Withstanding Voltage: 500V AC RMS
Insulation Resistance: Unmated plug:100MW min at 500V DC
 Mated plug:10MW min at 500V DC

Physical

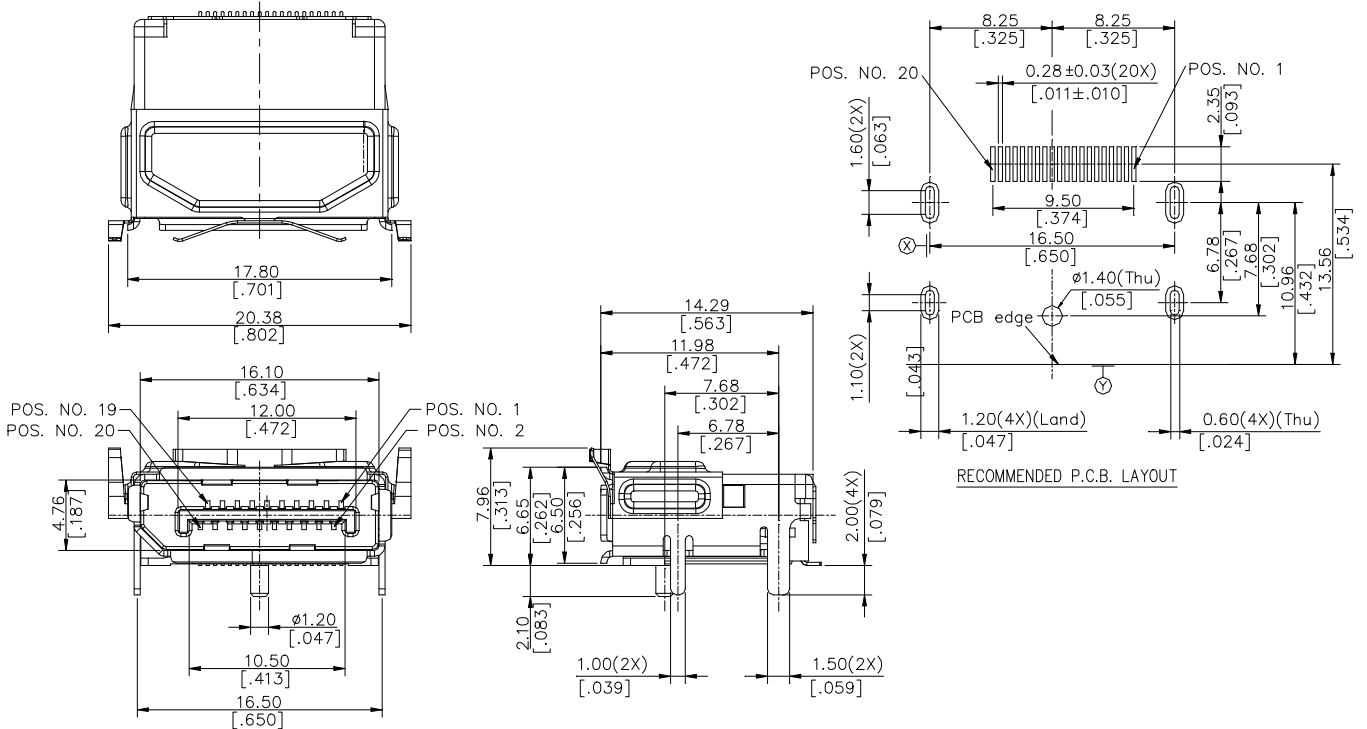
Housing: Thermoplastic, UL 94V-0 rated
Contact: Copper alloy
Plating: See "ORDERING INFORMATION"
Operating Temperature: -40 to +85

Displayport Connector

3V Series
Displayport, R/A,
SMT Type



DRAWING



ORDERING INFORMATION

PRODUCT NO.: 3VD5120*—H7JK—4H

