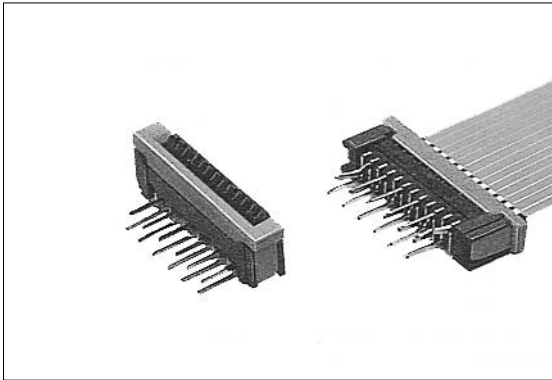


FP-10 Series 1.0mm Spacing (DIP)



Features

1. The FPC/FFC connector in this series apply to the 1.0 mm spacing.
2. Of the ZIF structure.
3. These connectors are available in two contact types: straight and right-angle type.

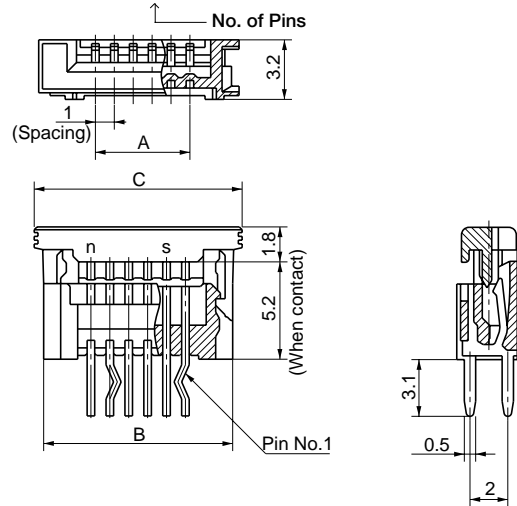
Specifications

1. Rating : 0.5A 50V AC/DC
2. Contact Resistance : 30mΩ max.
3. Insulation Resistance : 1000MΩ min. at 500V DC
4. Withstanding Voltage : 500V AC for one minute
5. Operating Temperature Range : -25°C to +85°C

Material and Plating

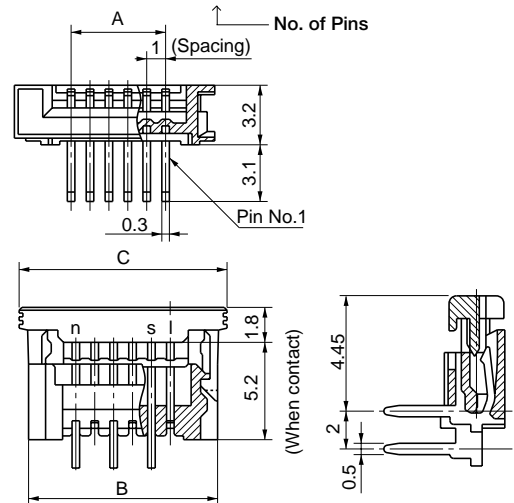
- Housing : Polyphenylene Sulfide (Natural Color)94V-0
- Cover : Polyphenylene Sulfide (Natural Color)94V-0
- Contact : Phosphor Bronze Tin-lead Plating

● Straight Type CFP01□□-01☒☒



☒☒	With Kink
01	Yes
02	No

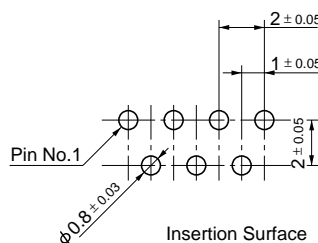
● Right-Angle Type CFP03□□-01☒☒



☒☒	With Kink
01	Yes
02	No

□□	No. of Pins	A	B	C	□□	No. of Pins	A	B	C
05	5	4.0	9.0	10.2	14	14	13.0	18.0	19.2
06	6	5.0	10.0	11.2	15	15	14.0	19.0	20.2
07	7	6.0	11.0	12.2	16	16	15.0	20.0	21.2
08	8	7.0	12.0	13.2	18	18	17.0	22.0	23.2
09	9	8.0	13.0	14.2	19	19	18.0	23.0	24.2
10	10	9.0	14.0	15.2	20	20	19.0	24.0	25.2
11	11	10.0	15.0	16.2	22	22	21.0	26.0	27.2
12	12	11.0	16.0	17.2	26	26	25.0	30.0	31.2
13	13	12.0	17.0	18.2	29	29	28.0	33.0	34.2

■ PC Board Dimension



■ Applicable FPC Dimension

