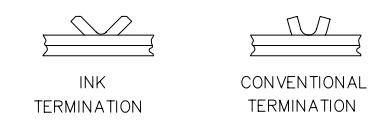
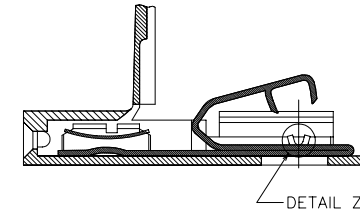
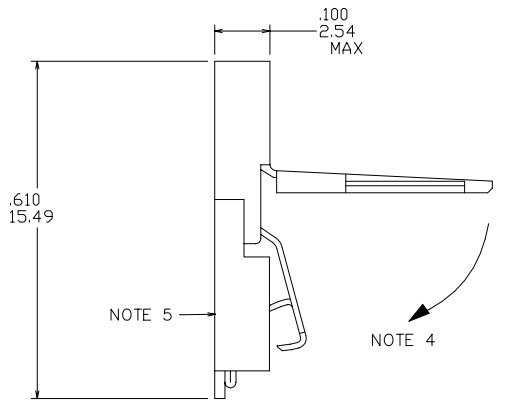
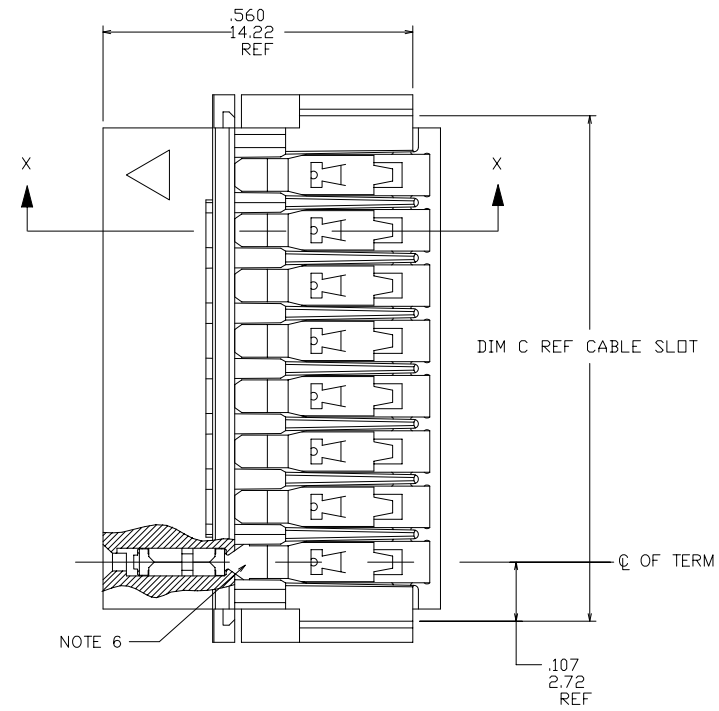
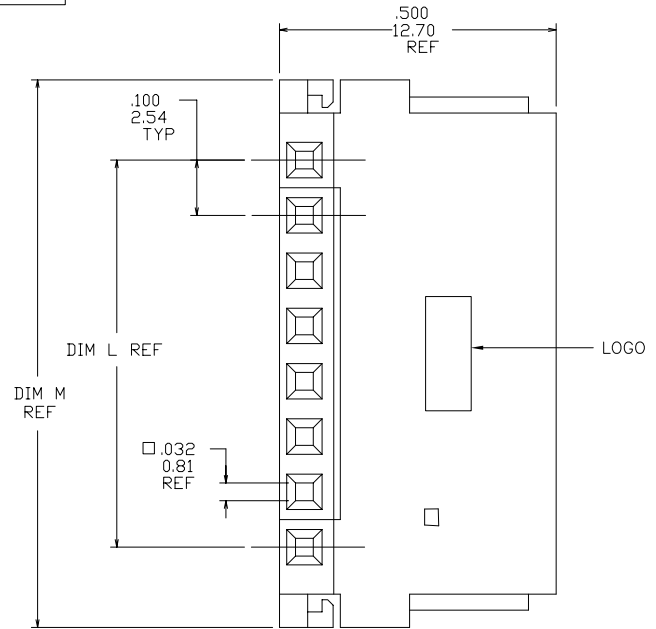


Tous droits strictement reserves. Reproduction ou communication a des tiers interalite sous quelque forme que ce soit sans autorisation ecrite du proprietaire. Propriete de c FCI. Droits de reproduction FCI.

**FCI**

All rights strictly reserved. Reproduction or issue to third parties in any form whatever is not permitted without written authority from the proprietor. Property of FCI. Copyright FCI.

PRODUCT NUMBER  
SEE TABLE



SECTION X-X

DETAIL Z  
SCALE 6/1

mat'l. code		tolerances unless otherwise specified						CUSTOMER COPY	<b>FCI</b> www.fciconnect.com	
ltr	ecn no	dr	date	linear	.xx ±.01/.x±.3			projection	title CLINCHER™ RECEPTACLE ASSEMBLY	
AE	V40890	HTB	5/17/94		.xxx ±.005/.xx±.13					
AF	V50167	HTB	1/19/95		.xxxx ±.0020/.xxx±.051					
AG	V50220	HTB	2/7/95	angles	0° ±2°			INCH/MM	product family CLINCHER code size dwg no	
AH	V60509	HTB	3/5/96	dr	T.BREWBAKER	5/17/94				
AJ	M05-0087	MHT	6/15/05	engr	T.HANNA	5/17/94				
				chr	J.MURPHY	5/17/94	scale 3:1	A	65801	
				appd	T.HANNA	5/17/94				
sheet index	revision sheet	AJ 1	AJ 2	AJ 3	AJ 4	AJ 5	AJ 6	AJ 7	cage code 22526	

ACAD

**PDM: Rev:AJ**

**STATUS:Released**

Printed: Jun 17, 2005

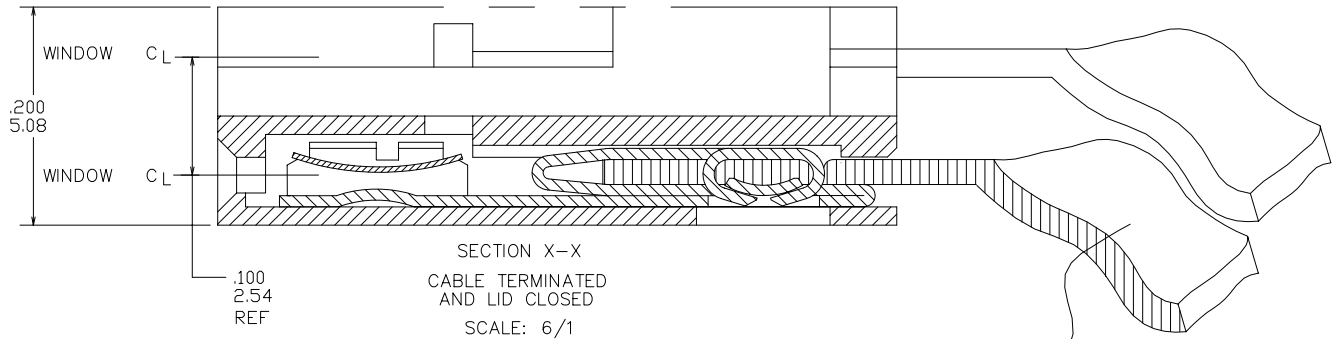
PRODUCT NUMBER  
SEE TABLE

PLATING AVAILABLE

PLATING CODE	TERMINAL	SPRING
1	100u"/2.54u MIN. THICK 60/40 TIN LEAD	10u"/.25u MIN. THICK 60/40 TIN LEAD
2	30u"/.76u MIN. GOLD STRIPE IN BOX AREA	3u"/.08u MIN. GOLD OVER 50u"/1.27u MIN. NICKLE
3	100u"/2.54u MIN. THICK PURE TIN	10u"/.25u MIN. THICK PURE TIN

PRODUCT NUMBER  
65801-XXXLF

LEAD FREE OPTION  
NOTE 9,10  
NO OF POSITIONS  
AND PLATING  
BASE PART NUMBER



NOTES:

- ① MOLDING MAT'L: POLYPROPYLENE, FLAME RETARDENT PER UL 94V-0. COLOR: BLUE.
- ② TERMINAL MAT'L: 1/2 HARD CuNi ALLOY, UNS-C72500. PLATING: SEE TABULATION AND PLATING TABLE.
- ③ SPRING MAT'L: 1/2 HARD BeCu ALLOY, UNS-C17200. PLATING: SEE TABULATION AND PLATING TABLE.
- ④ LATCH SWINGS CLOSED AFTER TERMINATION MAINTAINING A MAX OVER ALL HEIGHT OF .100/2.54
- ⑤ LABEL IN THIS AREA P/N AND DATE LOT CODE (WEEK AND YEAR) ON DASH No.-067 AND -167 ONLY.
- ⑥ KNURL MARK INDICATES FOR USE WITH INK TERMINATION. CONSULT WITH BERG ELECTRONICS TECHNICAL REPRESENTATIVE FOR SPECIFIC APPLICATIONS.
- ⑦ POSITION NUMBERS INITIATE FROM TRIANGULAR MARK ON HOUSING. SEE TABULATION FOR POSITION No CLOSED AND TERMINAL No ABSENT. FIG A SHOWS POSITION No 2 CLOSED.
- ⑧ AN EIGHT DIGIT PART NUMBER FOLLOWED BY A "J" INDICATES INVENTORY FOR JAPAN ONLY.
- ⑨ ADD "LF" SUFFIX AT THE END OF PART NUMBER FOR LEAD FREE OPTION.
- ⑩ THIS PRODUCT MEETS EUROPEAN UNION DIRECTIVES AND OTHER COUNTRY REGULATION AS DESCRIBED IN GS-22-008.
- 11 THE PRODUCT IS NOT INTENDED TO BE EXPOSED TO A MANUFACTURING SOLDER PROCESS

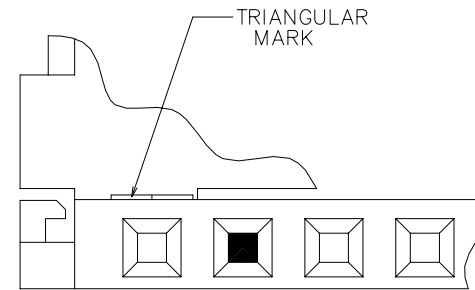


FIG A  
NOTE 7

mat'l. code		tolerances unless otherwise specified		CUSTOMER COPY	 www.fciconnect.com	
ltr	ecn no	dr	date	linear	projection	title
AJ				.xx ±.01/.X±.3	 INCH/MM	CLINCHER™ RECEPTACLE ASSEMBLY
				.xxx ±.005/.xx±.13		
				angles	0° ±2°	product family
				dr	T.BREWBAKER 5/17/94	CLINCHER
				enr	T. HANNA 5/17/94	code
				chr	J.MURPHY 5/17/94	size
				appd	T.HANNA 5/17/94	dwg no
sheet index	revision sheet			scale	3:1	A
						65801
						code
						22526
						sheet
						2 of

Tous droits strictement reserves. Reproduction ou communication a des tiers interdite sous quelque forme que ce soit sans autorisation ecrite du proprietaire. Propriete de c FCI. Droits de reproduction FCI.

A FCI

All rights strictly reserved. Reproduction or issue to third parties in any form whatever is not permitted without written authority from the proprietor. Property of FCI. Copyright FCI.

A

B


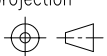
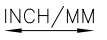
A

B

Tous droits strictement reserves. Reproduction ou communication a des tiers interdite sous quelque forme que ce soit sans autorisation ecrite du propriétaire. Propriete de c FCI. Droits de reproduction FCI.

All rights strictly reserved. Reproduction or issue to third parties in any form whatever is not permitted without written authority from the proprietor. Property of FCI. Copyright FCI.

PRODUCT NO. NOTE 9	NO. OF POSITIONS	1   2		3				4		LF PLATING CODE	
		DIM. L ENGLISH	DIM. L METRIC	DIM. M ENGLISH	DIM. M METRIC	DIM. C ENGLISH	DIM. C METRIC	PLATING CODE	TERMINATION NOTE 6		NOTES
65801-001			U N A	S S I G	N E D						
65801-002	2	0.100	2.54	0.390	9.91	0.315	8.00	1	CONVENTIONAL	-	3
65801-003	3	0.200	5.08	0.490	12.45	0.415	10.54	1	CONVENTIONAL	-	3
65801-004	4	0.300	7.62	0.590	14.99	0.515	13.08	1	CONVENTIONAL	-	3
65801-005	5	0.400	10.16	0.690	17.53	0.615	15.62	1	CONVENTIONAL	-	3
65801-006	6	0.500	12.70	0.790	20.07	0.715	18.16	1	CONVENTIONAL	-	3
65801-007	7	0.600	15.24	0.890	22.61	0.815	20.70	1	CONVENTIONAL	-	3
65801-008	8	0.700	17.78	0.990	25.15	0.915	23.24	1	CONVENTIONAL	-	3
65801-009	9	0.800	20.32	1.090	27.69	1.015	25.78	1	CONVENTIONAL	-	3
65801-010	10	0.900	22.86	1.190	30.23	1.115	28.32	1	CONVENTIONAL	-	3
65801-011	11	1.000	25.40	1.290	32.77	1.215	30.86	1	CONVENTIONAL	-	3
65801-012	12	1.100	27.94	1.390	35.31	1.315	33.40	1	CONVENTIONAL	-	3
65801-013	13	1.200	30.48	1.490	37.85	1.415	35.94	1	CONVENTIONAL	-	3
65801-014	14	1.300	33.02	1.590	40.39	1.515	38.48	1	CONVENTIONAL	-	3
65801-015	15	1.400	35.56	1.690	42.93	1.615	41.02	1	CONVENTIONAL	-	3
65801-016	16	1.500	38.10	1.790	45.47	1.715	43.56	1	CONVENTIONAL	-	3
65801-017	17	1.600	40.64	1.890	48.01	1.815	46.10	1	CONVENTIONAL	NOTE 8	3
65801-018	18	1.700	43.18	1.990	50.55	1.915	48.64	1	CONVENTIONAL	-	3
65801-019	19	1.800	45.72	2.090	53.09	2.015	51.18	1	CONVENTIONAL	-	3
65801-020	20	1.900	48.26	2.190	55.63	2.115	53.72	1	CONVENTIONAL	-	3
65801-021	21	2.000	50.80	2.290	58.17	2.215	56.26	1	CONVENTIONAL	-	3
65801-022	22	2.100	53.34	2.390	60.71	2.315	58.80	1	CONVENTIONAL	-	3
65801-023	23	2.200	55.88	2.490	63.25	2.415	61.34	1	CONVENTIONAL	-	3
65801-024	24	2.300	58.42	2.590	65.79	2.515	63.88	1	CONVENTIONAL	-	3
65801-025	25	2.400	60.96	2.690	68.33	2.615	66.42	1	CONVENTIONAL	-	3
65801-026	26	2.500	63.50	2.790	70.87	2.715	68.96	1	CONVENTIONAL	-	3
65801-027	27	2.600	66.04	2.890	73.41	2.815	71.50	1	CONVENTIONAL	-	3
65801-028	28	2.700	68.58	2.990	75.95	2.915	74.04	1	CONVENTIONAL	-	3
65801-029	29	2.800	71.12	3.090	78.49	3.015	76.58	1	CONVENTIONAL	-	3
65801-030	30	2.900	73.66	3.190	81.03	3.115	79.12	1	CONVENTIONAL	-	3
65801-031	31	3.000	76.20	3.290	83.57	3.215	81.66	1	CONVENTIONAL	-	3
65801-032	32	3.100	78.74	3.390	86.11	3.315	84.20	1	CONVENTIONAL	-	3

mat'l. code		-		tolerances unless otherwise specified		CUSTOMER COPY		 www.fciconnect.com				
ltr	ecn no	dr	date	linear	.XX ±.01/.X±.3	projection		title				
AJ					.XXX ±.005/.XX±.13			CLINCHER™ RECEPTACLE ASSEMBLY		code		
				angles	.XXX ±.0020/.XXX±.051		product family		code			
				dr	0° ±2'		CLINCHER			-		
				enr	T.BREWBAKER 5/17/94	scale	A	65801	sheet			
				chr	T. HANNA 5/17/94					3:1	size	3 of
				appd	J.MURPHY 5/17/94							
					T.HANNA 5/17/94							
sheet index	revision sheet											

Tous droits strictement reserves. Reproduction ou communication a des tiers interalite sous quelque forme que ce soit sans autorisation ecrite du proprietaire. Propriete de c FCI. Droits de reproduction FCI.



PRODUCT NO. NOTE 9	NO. OF POSITIONS	DIM. L		DIM. M		DIM. C		PLATING CODE	TERMINATION NOTE 6	NOTES	LF PLATING CODE
		ENGLISH	METRIC	ENGLISH	METRIC	ENGLISH	METRIC				
65801-033	4	0.300	7.62	0.590	14.99	0.515	13.08	2	CONVENTIONAL	-	2
65801-034	5	0.400	10.16	0.690	17.53	0.615	15.62	2	CONVENTIONAL	-	2
65801-035	6	0.500	12.70	0.790	20.07	0.715	18.16	2	CONVENTIONAL	-	2
65801-036	7	0.600	15.24	0.890	22.61	0.815	20.70	2	CONVENTIONAL	-	2
65801-037	8	0.700	17.78	0.990	25.15	0.915	23.24	2	CONVENTIONAL	-	2
65801-038	9	0.800	20.32	1.090	27.69	1.015	25.78	2	CONVENTIONAL	-	2
65801-039	10	0.900	22.86	1.190	30.23	1.115	28.32	2	CONVENTIONAL	-	2
65801-040	11	1.000	25.40	1.290	32.77	1.215	30.86	2	CONVENTIONAL	-	2
65801-041	12	1.100	27.94	1.390	35.31	1.315	33.40	2	CONVENTIONAL	-	2
65801-042	13	1.200	30.48	1.490	37.85	1.415	35.94	2	CONVENTIONAL	-	2
65801-043	14	1.300	33.02	1.590	40.39	1.515	38.48	2	CONVENTIONAL	-	2
65801-044	15	1.400	35.56	1.690	42.93	1.615	41.02	2	CONVENTIONAL	-	2
65801-045	16	1.500	38.10	1.790	45.47	1.715	43.56	2	CONVENTIONAL	-	2
65801-046	17	1.600	40.64	1.890	48.01	1.815	46.10	2	CONVENTIONAL	-	2
65801-047	18	1.700	43.18	1.990	50.55	1.915	48.64	2	CONVENTIONAL	-	2
65801-048	19	1.800	45.72	2.090	53.09	2.015	51.18	2	CONVENTIONAL	-	2
65801-049	20	1.900	48.26	2.190	55.63	2.115	53.72	2	CONVENTIONAL	-	2
65801-050	21	2.000	50.80	2.290	58.17	2.215	56.26	2	CONVENTIONAL	-	2
65801-051	22	2.100	53.34	2.390	60.71	2.315	58.80	2	CONVENTIONAL	-	2
65801-052	23	2.200	55.88	2.490	63.25	2.415	61.34	2	CONVENTIONAL	-	2
65801-053	24	2.300	58.42	2.590	65.79	2.515	63.88	2	CONVENTIONAL	-	2
65801-054	25	2.400	60.96	2.690	68.33	2.615	66.42	2	CONVENTIONAL	-	2
65801-055	26	2.500	63.50	2.790	70.87	2.715	68.96	2	CONVENTIONAL	-	2
65801-056	27	2.600	66.04	2.890	73.41	2.815	71.50	2	CONVENTIONAL	-	2
65801-057	28	2.700	68.58	2.990	75.95	2.915	74.04	2	CONVENTIONAL	-	2
65801-058	29	2.800	71.12	3.090	78.49	3.015	76.58	2	CONVENTIONAL	-	2
65801-059	30	2.900	73.66	3.190	81.03	3.115	79.12	2	CONVENTIONAL	-	2
65801-060	31	3.000	76.20	3.290	83.57	3.215	81.66	2	CONVENTIONAL	-	2
65801-061	32	3.100	78.74	3.390	86.11	3.315	84.20	2	CONVENTIONAL	-	2
65801-062	3	0.200	5.08	0.490	12.45	0.415	10.54	2	CONVENTIONAL	-	2
65801-063	2	0.100	2.54	0.390	9.91	0.315	8.00	2	CONVENTIONAL	-	2
65801-064	34	3.300	83.82	3.590	91.19	3.515	89.28	1	CONVENTIONAL	-	3
65801-065	33	3.200	81.28	3.490	88.65	3.415	86.74	1	CONVENTIONAL	-	3
65801-066	34	3.300	83.82	3.590	91.19	3.515	89.28	2	CONVENTIONAL	-	2
65801-067	12	1.100	27.94	1.390	35.31	1.315	33.40	2	CONVENTIONAL	NOTE 5	2

All rights strictly reserved. Reproduction or issue to third parties in any form whatever is not permitted without written authority from the proprietor. Property of FCI. Copyright FCI.

B

mat'l. code -				tolerances unless otherwise specified				CUSTOMER COPY		 www.fciconnect.com	
ltr	ecn no	dr	date	linear	.xx ±.01/.X±.3			projection	title		
AJ					.xxx ±.005/.xx±.13				CLINCHER™ RECEPTACLE ASSEMBLY		
					.xxxx ±.0020/.xxx±.051				product family CLINCHER code -		
				angles	0° ±2°			 INCH/MM scale 3:1	size		sheet 4 of
				dr	T.BREWBAKER	5/17/94	A		65801		
				enr	T. HANNA	5/17/94					
				chr	J.MURPHY	5/17/94					
				appd	T.HANNA	5/17/94					
sheet index	revision sheet										

B

Tous droits strictement reserves. Reproduction ou communication a des tiers  
interdite sous quelque forme que ce soit sans autorisation ecrite du proprietaire.  
Propriete de c FCI. Droits de reproduction FCI.

**A**  
**FCI**


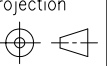
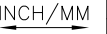
All rights strictly reserved. Reproduction or issue to third parties in any  
form whatever is not permitted without written authority from the proprietor.  
Property of FCI. Copyright FCI.

**A**

**B**

PRODUCT NO. NOTE 9	NO. OF POSITIONS	1   2		3		4		PLATING CODE	TERMINATION NOTE 6	NOTES	LF PLATING CODE
		DIM. L ENGLISH	DIM. L METRIC	DIM. M ENGLISH	DIM. M METRIC	DIM. C ENGLISH	DIM. C METRIC				
65801-102	2	0.100	2.54	0.390	9.91	0.315	8.00	1	INK	-	
65801-103	3	0.200	5.08	0.490	12.45	0.415	10.54	1	INK	-	3
65801-104	4	0.300	7.62	0.590	14.99	0.515	13.08	1	INK	-	3
65801-105	5	0.400	10.16	0.690	17.53	0.615	15.62	1	INK	-	3
65801-106	6	0.500	12.70	0.790	20.07	0.715	18.16	1	INK	-	3
65801-107	7	0.600	15.24	0.890	22.61	0.815	20.70	1	INK	-	3
65801-108	8	0.700	17.78	0.990	25.15	0.915	23.24	1	INK	-	3
65801-109	9	0.800	20.32	1.090	27.69	1.015	25.78	1	INK	-	3
65801-110	10	0.900	22.86	1.190	30.23	1.115	28.32	1	INK	-	3
65801-111	11	1.000	25.40	1.290	32.77	1.215	30.86	1	INK	-	3
65801-112	12	1.100	27.94	1.390	35.31	1.315	33.40	1	INK	-	3
65801-113	13	1.200	30.48	1.490	37.85	1.415	35.94	1	INK	-	3
65801-114	14	1.300	33.02	1.590	40.39	1.515	38.48	1	INK	-	3
65801-115	15	1.400	35.56	1.690	42.93	1.615	41.02	1	INK	-	3
65801-116	16	1.500	38.10	1.790	45.47	1.715	43.56	1	INK	-	3
65801-117	17	1.600	40.64	1.890	48.01	1.815	46.10	1	INK	-	3
65801-118	18	1.700	43.18	1.990	50.55	1.915	48.64	1	INK	-	3
65801-119	19	1.800	45.72	2.090	53.09	2.015	51.18	1	INK	-	3
65801-120	20	1.900	48.26	2.190	55.63	2.115	53.72	1	INK	-	3
65801-121	21	2.000	50.80	2.290	58.17	2.215	56.26	1	INK	-	3
65801-122	22	2.100	53.34	2.390	60.71	2.315	58.80	1	INK	-	3
65801-123	23	2.200	55.88	2.490	63.25	2.415	61.34	1	INK	-	3
65801-124	24	2.300	58.42	2.590	65.79	2.515	63.88	1	INK	-	3
65801-125	25	2.400	60.96	2.690	68.33	2.615	66.42	1	INK	-	3
65801-126	26	2.500	63.50	2.790	70.87	2.715	68.96	1	INK	-	3
65801-127	27	2.600	66.04	2.890	73.41	2.815	71.50	1	INK	-	3
65801-128	28	2.700	68.58	2.990	75.95	2.915	74.04	1	INK	-	3
65801-129	29	2.800	71.12	3.090	78.49	3.015	76.58	1	INK	-	3
65801-130	30	2.900	73.66	3.190	81.03	3.115	79.12	1	INK	-	3
65801-131	31	3.000	76.20	3.290	83.57	3.215	81.66	1	INK	-	3
65801-132	32	3.100	78.74	3.390	86.11	3.315	84.20	1	INK	-	3

**A**

mat'l. code -				tolerances unless otherwise specified				CUSTOMER COPY		 www.fciconnect.com	
ltr	ecn no	dr	date	linear	.XX ±.01/.X±.3			projection 	title <b>CLINCHER™ RECEPTACLE ASSEMBLY</b>		
AJ					.XXX ±.005/.XX±.13						
					.XXXX ±.0020/.XXX±.051						
				angles	0° ±2°			 INCH/MM scale 3:1	product family CLINCHER		code -
				dr	T.BREWBAKER	5/17/94	size		A		
				enr	T. HANNA	5/17/94	dwg no		65801		
				chr	J.MURPHY	5/17/94					
				appd	T.HANNA	5/17/94					sheet 5 of
sheet index		revision sheet									

**B**

Tous droits strictement reserves. Reproduction ou communication a des tiers interalite sous quelque forme que ce soit sans autorisation ecrite du proprietaire. Propriete de c FCI. Droits de reproduction FCI.

**A**  
**FCI**

All rights strictly reserved. Reproduction or issue to third parties in any form whatever is not permitted without written authority from the proprietor. Property of FCI. Copyright FCI.

**I**

**B**

PRODUCT NO. NOTE 9	NO. OF POSITIONS	DIM. L	DIM. L	DIM. M	DIM. M	DIM. C	DIM. C	PLATING CODE	TERMINATION	NOTES	LF PLATING CODE	
		ENGLISH	METRIC	ENGLISH	METRIC	ENGLISH	METRIC		NOTE 6			
65801-133	4	0.300	7.62	0.590	14.99	0.515	13.08	2	INK	-	2	
65801-134	5	0.400	10.16	0.690	17.53	0.615	15.62	2	INK	-	2	
65801-135	6	0.500	12.70	0.790	20.07	0.715	18.16	2	INK	-	2	
65801-136	7	0.600	15.24	0.890	22.61	0.815	20.70	2	INK	-	2	
65801-137	8	0.700	17.78	0.990	25.15	0.915	23.24	2	INK	-	2	
65801-138	9	0.800	20.32	1.090	27.69	1.015	25.78	2	INK	-	2	
65801-139	10	0.900	22.86	1.190	30.23	1.115	28.32	2	INK	-	2	
65801-140	11	1.000	25.40	1.290	32.77	1.215	30.86	2	INK	-	2	
65801-141	12	1.100	27.94	1.390	35.31	1.315	33.40	2	INK	-	2	
65801-142	13	1.200	30.48	1.490	37.85	1.415	35.94	2	INK	-	2	
65801-143	14	1.300	33.02	1.590	40.39	1.515	38.48	2	INK	-	2	
65801-144	15	1.400	35.56	1.690	42.93	1.615	41.02	2	INK	-	2	
65801-145	16	1.500	38.10	1.790	45.47	1.715	43.56	2	INK	-	2	
65801-146	17	1.600	40.64	1.890	48.01	1.815	46.10	2	INK	-	2	
65801-147	18	1.700	43.18	1.990	50.55	1.915	48.64	2	INK	-	2	
65801-148	19	1.800	45.72	2.090	53.09	2.015	51.18	2	INK	-	2	
65801-149	20	1.900	48.26	2.190	55.63	2.115	53.72	2	INK	-	2	
65801-150	21	2.000	50.80	2.290	58.17	2.215	56.26	2	INK	-	2	
65801-151	22	2.100	53.34	2.390	60.71	2.315	58.80	2	INK	-	2	
65801-152	23	2.200	55.88	2.490	63.25	2.415	61.34	2	INK	-	2	
65801-153	24	2.300	58.42	2.590	65.79	2.515	63.88	2	INK	-	2	
65801-154	25	2.400	60.96	2.690	68.33	2.615	66.42	2	INK	-	2	
65801-155	26	2.500	63.50	2.790	70.87	2.715	68.96	2	INK	-	2	
65801-156	27	2.600	66.04	2.890	73.41	2.815	71.50	2	INK	-	2	
65801-157	28	2.700	68.58	2.990	75.95	2.915	74.04	2	INK	-	2	
65801-158	29	2.800	71.12	3.090	78.49	3.015	76.58	2	INK	-	2	
65801-159	30	2.900	73.66	3.190	81.03	3.115	79.12	2	INK	-	2	
65801-160	31	3.000	76.20	3.290	83.57	3.215	81.66	2	INK	-	2	
65801-161	32	3.100	78.74	3.390	86.11	3.315	84.20	2	INK	-	2	
65801-162	3	0.200	5.08	0.490	12.45	0.415	10.54	2	INK	-	2	
65801-163	2	0.100	2.54	0.390	9.91	0.315	8.00	2	INK	-	2	
65801-164				U N A S S I G N E D								
65801-165				U N A S S I G N E D								
65801-166	34	3.300	83.82	3.590	91.19	3.515	89.28	2	INK	-	2	
65801-167	12	1.100	27.94	1.390	35.31	1.315	33.40	2	INK	NOTE 5	2	

**A**

**B**

mat'l. code -				tolerances unless otherwise specified				CUSTOMER COPY		<b>A</b> <b>FCI</b> www.fciconnect.com		
ltr	ecn no	dr	date	linear	.xx ±.01/.x±.3			projection 	title CLINCHER™ RECEPTACLE ASSEMBLY			
AJ					.xxx ±.005/.xx±.13				INCH/MM 	product family CLINCHER		code -
					.xxxx ±.0020/.xxx±.051					size A		sheet 6 of
				angles	0° ±2°			scale 3:1	product family CLINCHER			
				dr	T.BREWBAKER	5/17/94			size A			
				enr	T. HANNA	5/17/94			code -			
				chr	J.MURPHY	5/17/94			sheet 6 of			
				appd	T.HANNA	5/17/94						
sheet index	revision sheet											

Tous droits strictement reserves. Reproduction ou communication a des tiers interalite sous quelque forme que ce soit sans autorisation ecrite du proprietaire. Propriete de c FCI. Droits de reproduction FCI.



All rights strictly reserved. Reproduction or issue to third parties in any form whatever is not permitted without written authority from the proprietor. Property of FCI. Copyright FCI.

1 | 2

3 |

4

PRODUCT NO. NOTE 9	NO. OF POSITIONS	DIM. L	DIM. L	DIM. M	DIM. M	DIM. C	DIM. C	PLATING CODE	TERMINATION	CLOSED POS.	TERMINAL ABSENT	LF PLATING CODE
		ENGLISH	METRIC	ENGLISH	METRIC	ENGLISH	METRIC		ENGLISH	METRIC	NOTE 6	
65801-201	16	1.500	38.10	1.790	45.47	1.715	43.56	1	CONVENTIONAL	4	4.5.6	3
65801-202	5	0.400	10.16	0.690	17.53	0.615	15.62	2	CONVENTIONAL	3	3	2
65801-203	7	0.600	15.24	0.890	22.61	0.815	20.70	2	CONVENTIONAL	6	1.2.6.7	2
65801-204	10	0.900	22.86	1.190	30.23	1.115	28.32	1	CONVENTIONAL	4	4	3
65801-205	6	0.500	12.70	0.790	20.07	0.715	18.16	1	CONVENTIONAL	5	5	3
65801-206	5	0.400	10.16	0.690	17.53	0.615	15.62	1	CONVENTIONAL	4	4	3
65801-207	7	0.600	15.24	0.890	22.61	0.815	20.70	2	CONVENTIONAL	N/A	1.2.6.7	2
65801-208	4	0.300	7.62	0.590	14.99	0.515	13.08	1	CONVENTIONAL	N/A	2.3	3

A

A

B

B

mat'l. code —				tolerances unless otherwise specified				CUSTOMER COPY		 www.fciconnect.com	
ltr	ecn no	dr	date	linear	.xx ±.01/.x±.3			projection	 title CLINCHER™ RECEPTACLE ASSEMBLY		
AJ					.xxx ±.005/.xx±.13						
					.xxxx ±.0020/.xxx±.051						
				angles	0° ±2°			 INCH/MM	product family		code
				dr	T.BREWBAKER	5/17/94	←		CLINCHER		—
				enr	T. HANNA	5/17/94	←	size	dwg no		sheet
				chr	J.MURPHY	5/17/94	←	scale	A		7 of
				appd	T.HANNA	5/17/94	←	3:1	65801		
sheet index	revision sheet										

1 | 2

3 |

4

ACAD

PDM: Rev:AJ

STATUS:Released

Printed: Jun 17, 2005

cage code  
22526