

CATALOG NUMBER DESCRIPTION

CONNECTOR SERIES — ELF 112 F G C E - 3 Z50

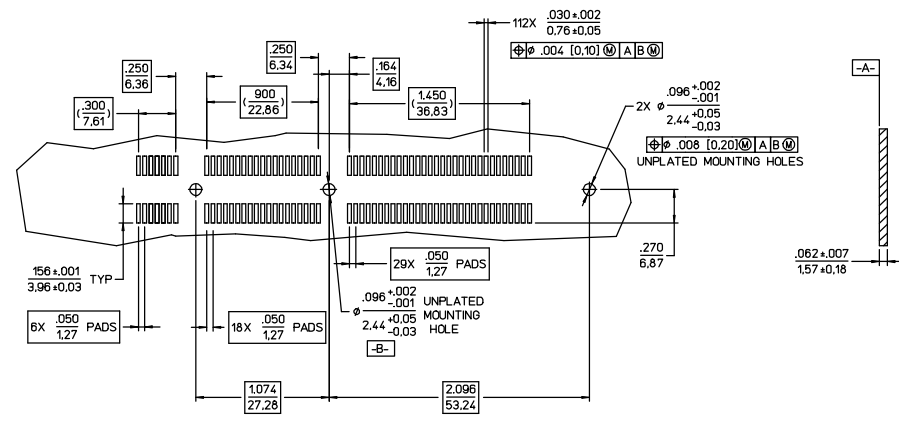
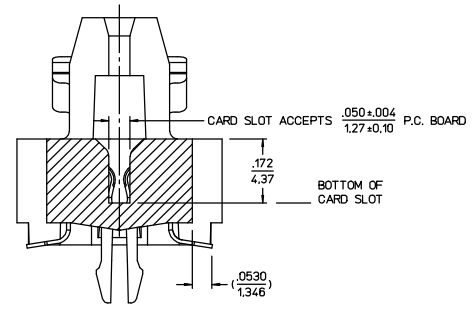
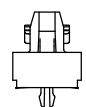
EXTREMELY LOW FORM FACTOR — PLATING VARIATION

NUMBER OF CONTACTS — DESIGN VARIATION
3 = FOR 062 ± .007 (1.57 ± 0.18) BACKPLANE APPLICATIONS.

BAY CONFIGURATION — EJECTOR STYLE
F = 3 BAYS 7/19/30 POSITIONS .JEDEC VIDEO RAM STANDARD
E = LEFT (BAY A)
R = RIGHT
B = BOTH
= NONE

RETENTION STYLE — C = METAL CLIPS

TERMINATION STYLE — G = GULL-WING SURFACE MOUNT LEADS



NOTES: UNLESS OTHERWISE SPECIFIED;

- INTERPRET THIS DRAWING IN ACCORDANCE WITH ANSI Y14.5M-1982.
- COMPONENT BOARD MATERIAL:
P.C. BOARD: FR-4 WITH 1 OZ. (28.35g) MIN COPPER PADS.
PAD PLATING: 30 MICRONS [0.76 MICRONS] MIN. GOLD.
PER MIL-8-45204, TYPE 1, CLASS 0, GRADE C.
OVER 100 MICRONS [2.54 MICRONS] MIN NICKEL PER QQ-N-290
- SEE SHEETS 4 AND 5 FOR RECOMMENDED DAUGHTERCARD DETAILS.
- SOLDER PASTE: .008 [0.20] HIGH SPHERE MIN AT PAD CENTER.

MATERIAL:

BODY: GLASS FILLED THERMOPLASTIC, UL 94V-0, COLOR-NATURAL (BROWN).

EJECTOR: GLASS FILLED THERMOPLASTIC, UL 94V-0, COLOR - NATURAL

CONTACTS: COPPER ALLOY.

RETENTION CLIPS: NICKEL PLATED COPPER ALLOY

CONTACT PLATING OPTIONS:

Z50 PLATING: GOLD FLASH OVER 15 MICRONS [0.64 MICRONS] PALLADIUM-NICKEL OVER NICKEL UNDERPLATE IN CRITICAL CONTACT AREA AND 50 MICRONS [1.91 MICRONS] SOLDER OVER NICKEL UNDERPLATE ON SOLDER TAILS.

PERFORMANCE CHARACTERISTICS:

CONTACT RESISTANCE: 30 MILLIOHMS MAXIMUM INITIAL, 10 MILLIOHMS MAXIMUM INCREASE THROUGH TESTING.

CONTACT NORMAL FORCE: 2.12 OZ. (50 GRAMS) MINIMUM END OF LIFE

DURABILITY: 50 CYCLES AS PER MIL-C-21097.

INSERTION FORCE: MIL-STD 1344, METHOD 2013.1, 7 OZ-FORCE (1.9N) MAX AVERAGE PER OPPOSING PAIR USING GAUGE PER MIL-C-21097, EXCEPT .050 [1.27] THICK WITH .003/.006 [0.08/0.15] RADII.

INSULATION RESISTANCE: 1000 MEGOHMS MINIMUM.

OPERATING TEMPERATURE: -13°F [-25°C] TO 185°F [85°C].

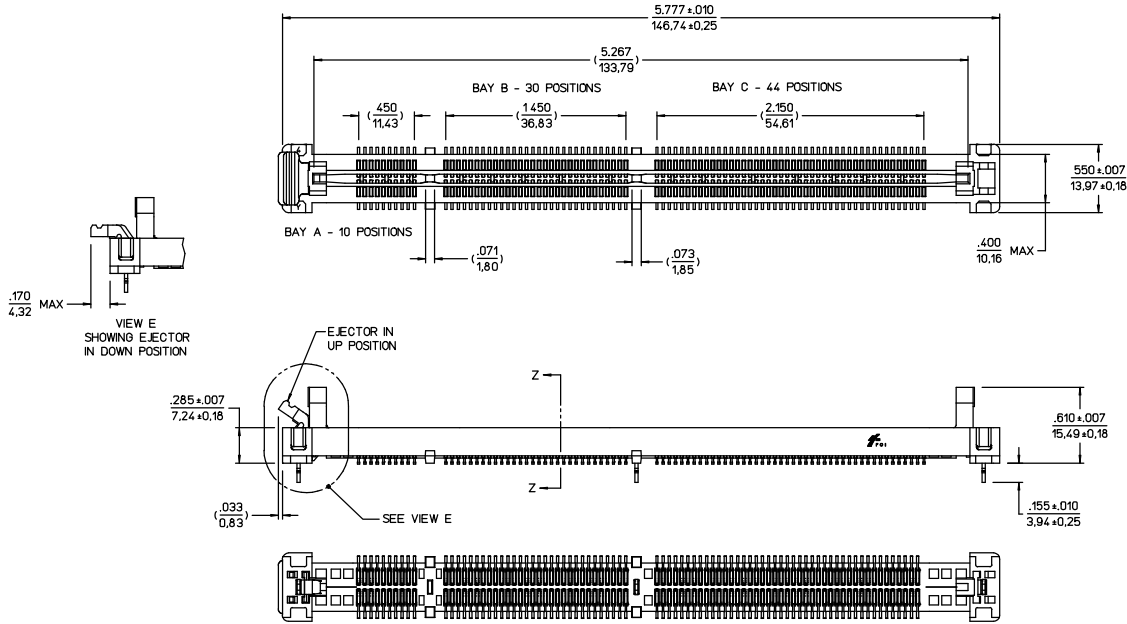
BOTH BODY AND CONTACTS ARE ABLE TO WITHSTAND VAPOR PHASE TEMPERATURE EXPOSURE.

REV	REV PER (ECN 3818)	DAF	W/JW	10-16-97
9	SHEETS 1 2, 3 & 5. SEE REVISION REFERENCE PRINTS. (EON3544)	DET	RPS	09-24-96
8	ADDED NEW SHTS 3 & 5 FOR CAT NO ELF112FGC-3250. SH 4 WAS 3. SEE REV REF PRINTS. (EON3484)	YP	JK	03-28-96
7	SHTS. 1 & 2 SEE REVISION REF. PRINTS (EON3270)	DET	SKM	04-03-95
6	SEE REV. REF. PRINTS SHEETS 1 & 2 (EON3190)	SKM	PJB	01-13-95
5	SEE REV. REF. PRINTS SHEETS 1 & 2 (EON3187)	MCB	SKM	01-14-95
4	SEE REV. REF. PRINTS SHEETS 1 & 2 (EON3142)	CCP	CCP	11-07-94
3	SH 1: ROTATE RIGHT CLIP 90°. MOVE LOGO TO GATE END OF HOUSING. (EON312)	RCW	OJS	09-28-94
2	SH 1: ADDED CLIP SLOT LEFT SIDE (BAY A SIDE) (EON308)	RCW	RCW	03-24-94
1	SH 1: REMOVED 2.020 DIA. CLIP & SLOT. 2X 4098 WAS 3X 4098. SH 2: UPDATED END VIEW. SH 3: NO CHANGE. (EON3008)	JW	RPS	03-15-94

SUPERSEDES: SKE30328-0 BRSE96064-0

REVISION DESCRIPTION		BY	CHKD	DATE
CAT NO ELF112FGC-3Z50				
ELF CONNECTOR FOR VRAM/DRAM				
CAT NO ELF112FGC-3Z50				
DWG RELEASED TO CENTRAL FILE 01-22-94				
CAGE NO 09922 DON 884 PC 723				
FRATOMO CONNECTORS USA INC.				
DRAWING SCALE: 2:1		DRAWING NO		
SE95915		10		
SHEET 1 OF 5				

LINEAR MEASURE:	INCH	MM	INCH (mm)
THIRD ANGLE PROJECTION			
- TOLERANCES -			
UNLESS OTHERWISE SPECIFIED			
NO OF DECIMAL PLACES IN INCHES	INCH (mm)		
ONE PLACE	±.1 (.3)		
TWO PLACES	±.02 (.05)		
THREE PLACES	±.005 (.013)		
ANGLES ±°			



CATALOG NUMBER DESCRIPTION

CONNECTOR SERIES ELF 168 E 5 G C - 3 Z50

EXTREMELY LOW FORM FACTOR

NUMBER OF CONTACTS

BAY CONFIGURATION E = 3 BAYS 10/30/44 POSITIONS JEDEC 8 BYTE DRAM STANDARD

VOLTAGE VARIATION 5 = M0-161 (5 VOLT)

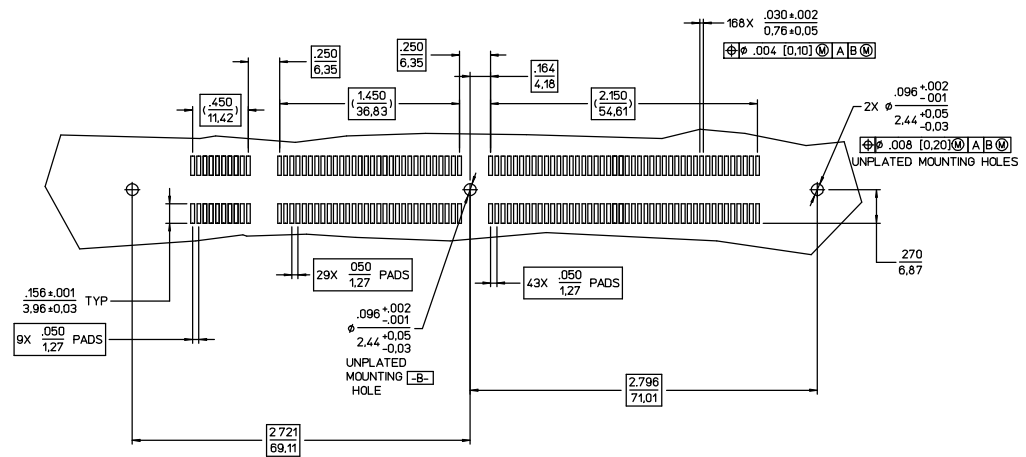
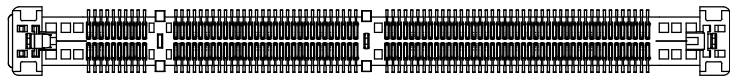
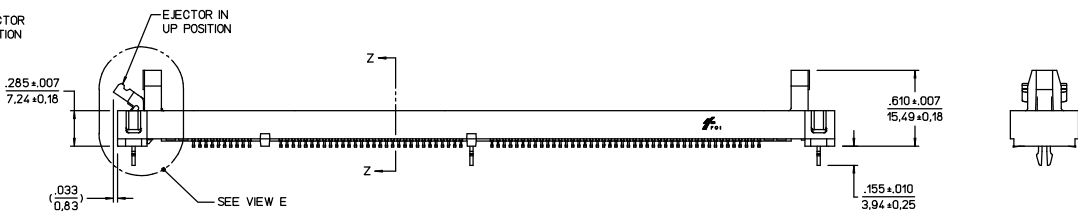
PLATING VARIATION

DESIGN VARIATION 3 = FOR .062 ± .007 (1.57 ± 0.18) BACKPLANE APPLICATIONS

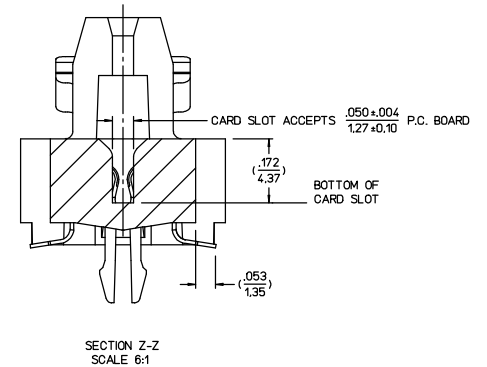
EJECTOR STYLE E = LEFT (BAY A) R = RIGHT B = BOTH - NONE

RETENTION STYLE C = METAL CLIPS

TERMINATION STYLE G = GULL-WING SURFACE MOUNT LEADS



RECOMMENDED PC BOARD LAYOUT

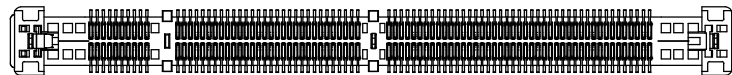
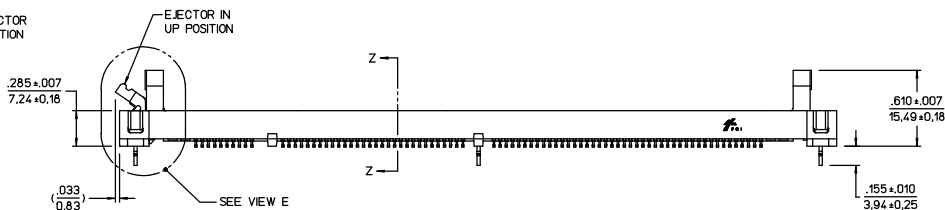
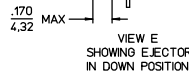
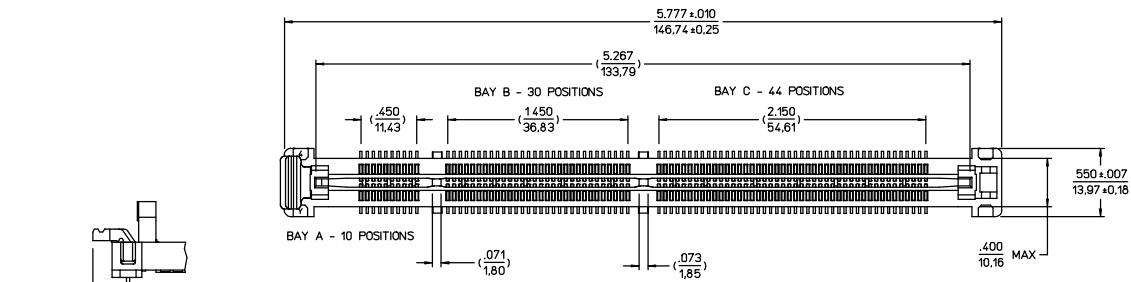


SECTION Z-Z SCALE 6:1

REV	REVISION DESCRIPTION	BY	CHKD	DATE
ELF CONNECTOR FOR VRAM/DRAM				
CAT NO ELF168E5GC_-3Z50				

DWG RELEASED TO CENTRAL FILE 01-22-94 CAGE NO 09922 DON 884 PC 723		DRWN RCW 01-21-84 CHKD PJB 01-22-94 DSGN RCW 01-21-84 MKT KPM 01-22-94 QC JMB 01-22-94
FRAMATOME CONNECTORS USA INC.		DRAWING SCALE 2.1 DRAWING NO SE95915 REV 10
UNLESS OTHERWISE SPECIFIED NO OF DECIMAL PLACES IN INCHES ONE PLACE ±.1 (2.54) TWO PLACES ±.02 (0.5) THREE PLACES ±.005 (0.13) ANGLES ±°		FRAMATOME CONNECTORS INTERNATIONAL SHEET 2 OF 5

NOTES: SEE SHEET 1



CATALOG NUMBER DESCRIPTION

CONNECTOR SERIES — ELF 168 P 3 G C E - 3 Z50

EXTREMELY LOW FORM FACTOR — PLATING VARIATION

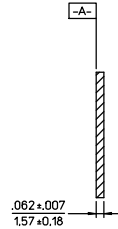
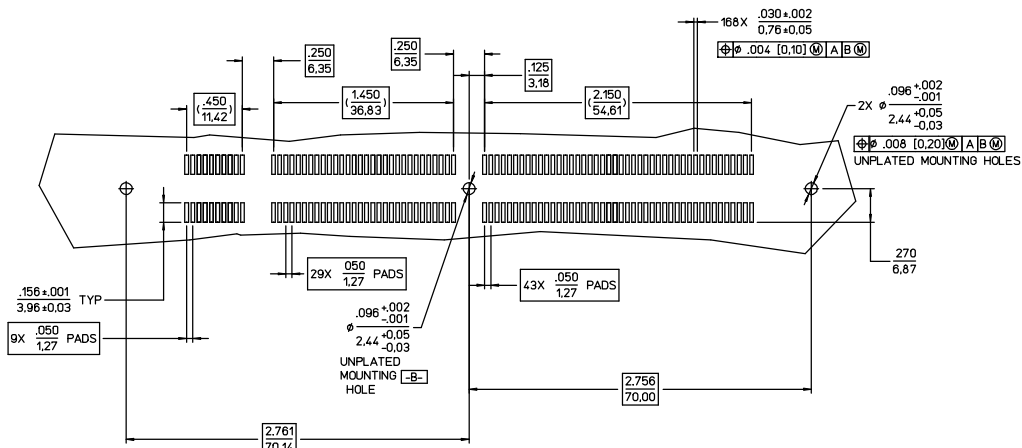
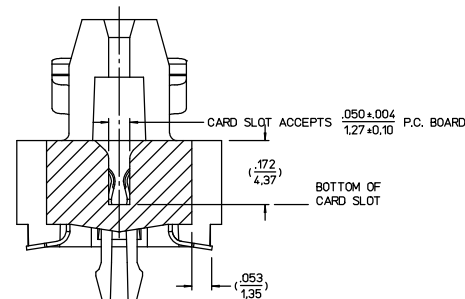
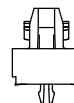
NUMBER OF CONTACTS — 3 = FOR .062 ± .007 (1.57 ± 0.18) BACKPLANE APPLICATIONS

BAY CONFIGURATION — EJECTOR STYLE
P = 3 BAYS: 10/30/44 POSITIONS E = LEFT (BAY A)
JEDEC 8 BYTE UNBUFFERED DRAM R = RIGHT
B = BOTH
= NONE

VOLTAGE VARIATION — 3 = M0-161 (3.3 VOLT DRAM UNBUFFERED MEMORY)

RETENTION STYLE
C = METAL CLIPS

TERMINATION STYLE
G = GULL-WING SURFACE MOUNT LEADS

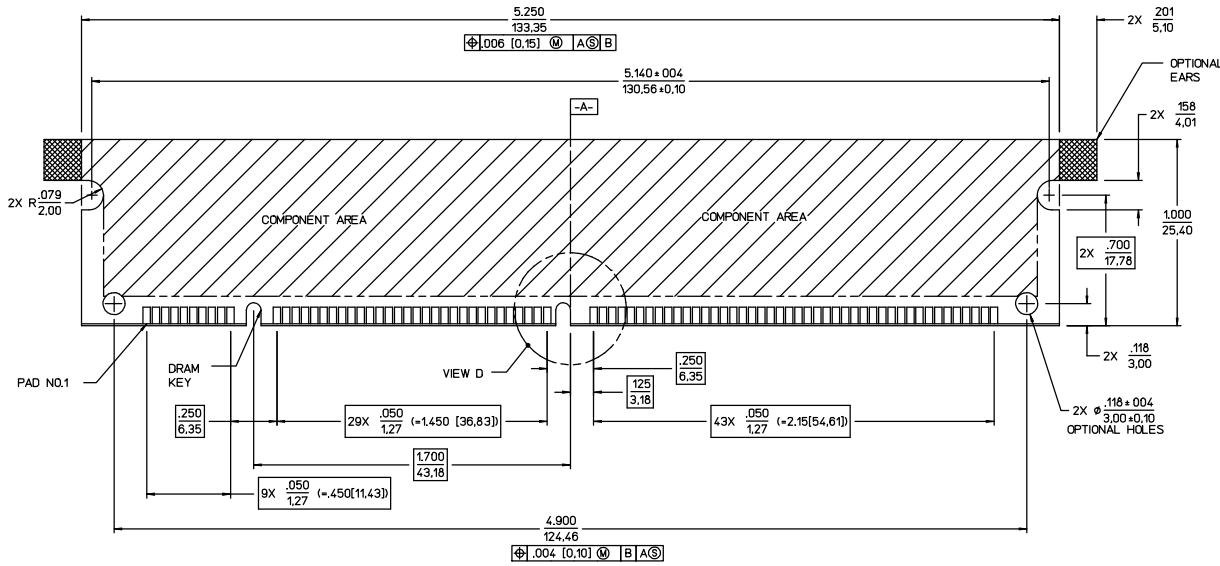


RECOMMENDED PC BOARD LAYOUT

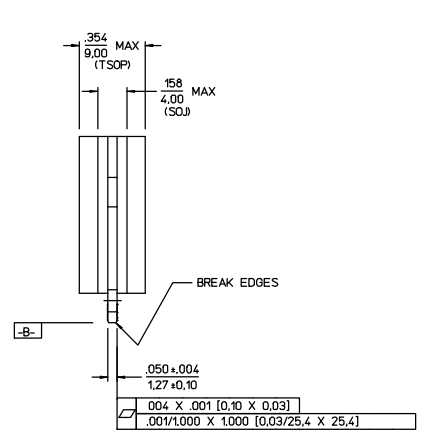
REV	REVISION DESCRIPTION	BY	CHKD	DATE
ELF CONNECTOR FOR VRAM/DRAM				
CAT NO. ELF168P3GC_-3Z50				

LINEAR MEASURE:	INCH	INCH (mm)
THIRD ANGLE PROJECTION		
- TOLERANCES -		
UNLESS OTHERWISE SPECIFIED		
NO. OF DECIMAL PLACES IN INCHES	INCH (mm)	
ONE PLACE	±.1 (.3)	
TWO PLACES	±.02 (.05)	
THREE PLACES	±.005 (.013)	
ANGLES ±°		

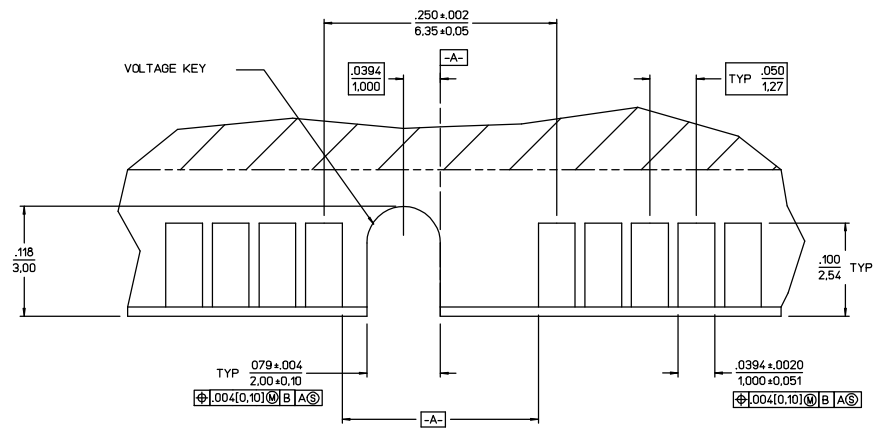
DWG RELEASED TO CENTRAL FILE 03-29-96		A	DRWN	YIP	03-08-96
CAGE NO 09922 ECN 3484 PC 723		P	CHKD	JK	03-28-96
FRAMATOME CONNECTORS USA INC.		R	DSGN	YIP	03-08-96
 FCI FRAMATOME CONNECTORS INTERNATIONAL		L	MKT	TK	03-28-96
		QC	BOF	03-28-96	
		DRAWING SCALE 2 : 1			
DRAWING NO.					
SE95915					10
SHEET 3 OF 5					



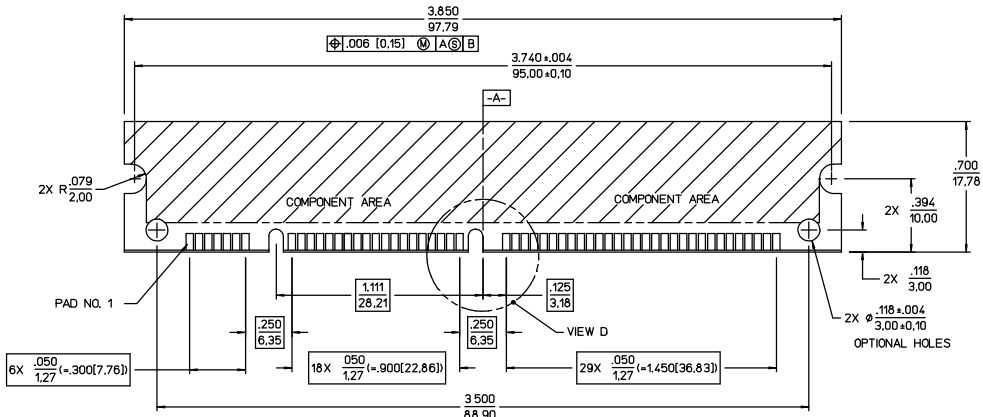
RECOMMENDED COMPONENT BOARD FOR ELF168E5GC-3Z50 (DRAM)



RIGHT SIDE VIEW FOR ELF.....GC-3Z50 (VRAM AND DRAM)



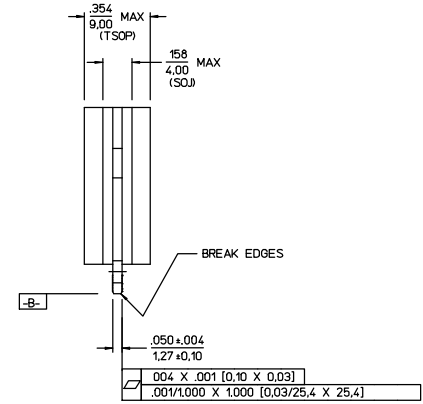
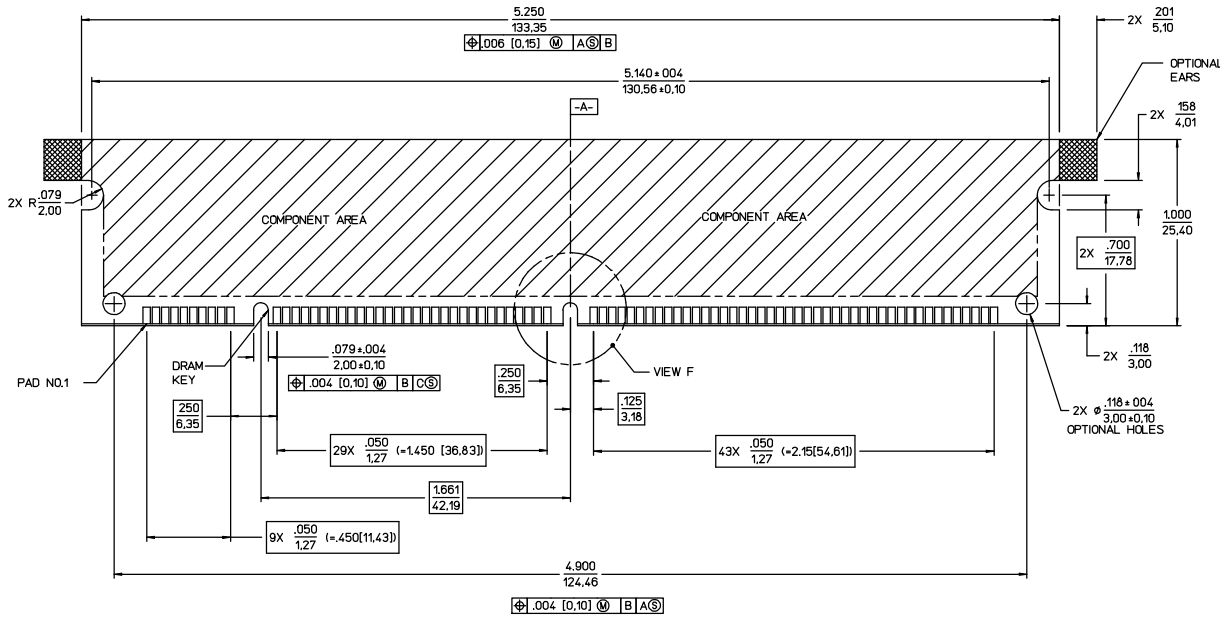
VIEW D SCALE 10:1



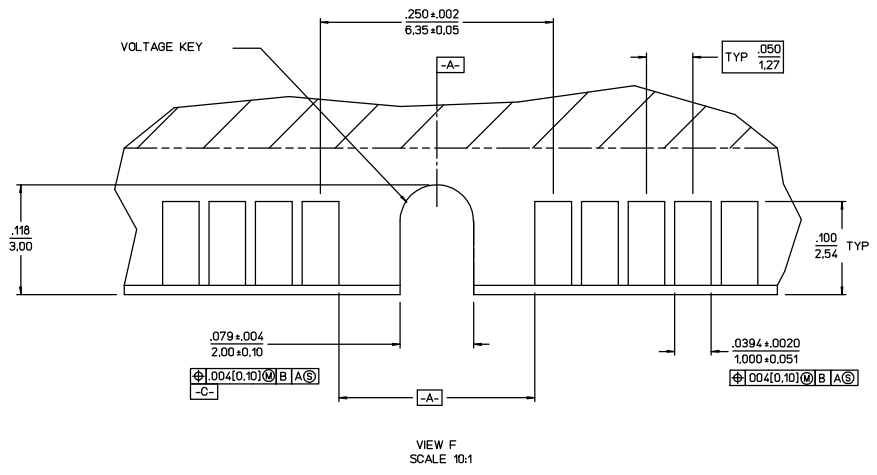
RECOMMENDED COMPONENT BOARD FOR ELF112F6C-3Z50 (VRAM)

REV	REVISION DESCRIPTION	BY	CHKD	DATE																											
ELF CONNECTOR FOR VRAM/DRAM																															
CAT NO ELF.....GC-3Z50																															
DWG RELEASED TO CENTRAL FILE 02-14-94																															
CAGE NO 09922 DON 884 PC 723																															
FRATOMO CONNECTORS USA INC.																															
<table border="1" style="width: 100%;"> <tr> <td>DRW</td> <td>RCW</td> <td>01-21-94</td> </tr> <tr> <td>P</td> <td>CHKD</td> <td>P.B 01-22-94</td> </tr> <tr> <td>D</td> <td>DSGN</td> <td>RCW 01-21-94</td> </tr> <tr> <td>R</td> <td>MKT</td> <td>KPM 01-22-94</td> </tr> <tr> <td>L</td> <td>GC</td> <td>MB 01-22-94</td> </tr> <tr> <td colspan="3" style="text-align: center;">DRAWING SCALE 2:1</td> </tr> <tr> <td colspan="2">DRAWING NO</td> <td>REV</td> </tr> <tr> <td colspan="2">SE95915</td> <td>10</td> </tr> <tr> <td colspan="3" style="text-align: center;">SHEET 4 OF 5</td> </tr> </table>					DRW	RCW	01-21-94	P	CHKD	P.B 01-22-94	D	DSGN	RCW 01-21-94	R	MKT	KPM 01-22-94	L	GC	MB 01-22-94	DRAWING SCALE 2:1			DRAWING NO		REV	SE95915		10	SHEET 4 OF 5		
DRW	RCW	01-21-94																													
P	CHKD	P.B 01-22-94																													
D	DSGN	RCW 01-21-94																													
R	MKT	KPM 01-22-94																													
L	GC	MB 01-22-94																													
DRAWING SCALE 2:1																															
DRAWING NO		REV																													
SE95915		10																													
SHEET 4 OF 5																															


LINEAR MEASURE:	INCH	INCH (mm)
THIRD ANGLE PROJECTION		
- TOLERANCES -		
UNLESS OTHERWISE SPECIFIED		
NO OF DECIMAL PLACES IN INCHES	INCH (mm)	
ONE PLACE	±.1 (2.54)	
TWO PLACES	±.02 (±0.5)	
THREE PLACES	±.005 (±0.13)	
ANGLES ±°		



RECOMMENDED COMPONENT BOARD
FOR ELF168P3GCE-3Z50 (3.3 VOLT DRAM UNBUFFERED MEMORY)



VIEW F
SCALE 10:1

REV	REVISION DESCRIPTION	BY	CHKD	DATE
	ELF CONNECTOR FOR VRAM/DRAM			
CAT NO. ELF168P3GCE-3Z50				
DWG RELEASED TO CENTRAL FILE 03-29-98				
CAGE NO 09922 ECN 3484 PC 723				
FRAMATOME CONNECTORS USA INC.				
 FCI FRAMATOME CONNECTORS INTERNATIONAL				
LINEAR MEASURE: INCH (mm) THIRD ANGLE PROJECTION - TOLERANCES - UNLESS OTHERWISE SPECIFIED NO. OF DECIMAL PLACES IN INCHES ONE PLACE ±.1 (.3) TWO PLACES ±.02 (.05) THREE PLACES ±.005 (.013) ANGLES ±°	DRWN YIP 03-06-96 CHKD JK 03-28-96 DSGN YIP 03-06-96 MKT TK 03-28-96 QC BOR 03-28-96 DRAWING NO. SE95915 REV 10			
				SHEET 5 OF 5