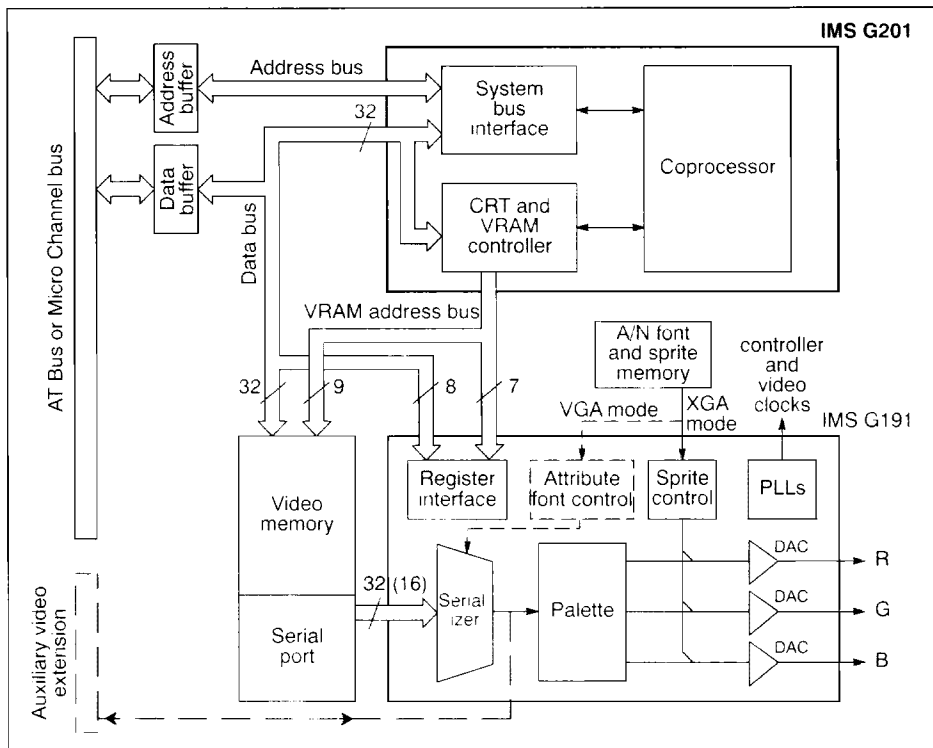


XGA DISPLAY CONTROLLER

PRELIMINARY INFORMATION



FEATURES

Supports both AT Bus and Micro Channel interfaces
 Allows 2-chip AT Bus or Micro Channel bus XGA solution (IMS G201 + IMS G191)
 Bus mastership on AT Bus and Micro Channel
 VGA and XGA standard registers
 Programmable CRT controller supports many display modes including:
 1280×1024 with 16/256 colors (interlaced)
 1024×768 with 256 colors (non-interlaced)
 800×600 with 65.536 colors (non-interlaced)
 132 column text mode (1056×480 resolution)
 16 bit true color support (5 Red, 6 Green, 5 Blue)
 Video RAM interface for high performance

ISO-compliant screen refresh rates
 Fully backwards compatible with IMS G200 XGA display controller
 208 pin PQFP package
 IMS G201 coprocessor supports:
 1, 2, 4, 8 and 16 bit Pixel and bit block transfers
 Line drawing
 Area filling
 Logical and arithmetic pixel mixing
 Pixel map masking
 Scissoring
 X, Y axis addressing

TABLE OF CONTENTS

| | | |
|-------|---|-----|
| 22.1 | IMS G201 description | 473 |
| 22.2 | Pin function reference guide | 476 |
| 22.3 | Coprocessor | 484 |
| 22.4 | System bus interface | 487 |
| 22.5 | CRT and VRAM controller | 487 |
| 22.6 | XGA I/O-mapped and memory-mapped registers | 489 |
| 22.7 | IMS G201 register reference guide | 493 |
| 22.8 | IMS G201 / IMS G191 communication | 501 |
| 22.9 | IMS G201 device configuration | 503 |
| 22.10 | Hardware interfaces | 516 |
| 22.11 | Timing reference guide for AT bus mode | 527 |
| 22.12 | Timing reference guide for Micro Channel bus mode | 531 |
| 22.13 | Electrical specifications | 557 |
| 22.14 | Package specifications | 560 |
| 22.15 | Ordering information | 567 |

22.1 IMS G201 description

The IMS G201 display controller chip comprises the system bus interface, drawing coprocessor, and the memory and display controller components of the G201/G191 chipset based XGA subsystem.

System bus interface modes

The IMS G201 can be set to operate in one of two modes: AT bus mode or Micro Channel mode.

In AT bus mode it is designed to interface with an AT bus standard and supports a 16 bit or an 8 bit interface. It supports both slave and master operations for a 16 bit interface or slave operations only for an 8 bit interface. A block diagram showing the IMS G201 in AT bus mode is given in Section 22.1.1.

In Micro Channel bus mode the IMS G201 is designed to interface to a Micro Channel bus standard and supports a 32 or a 16 bit interface. It operates both as slave and master. Streaming data (100ns cycle) operation is supported when the IMS G201 is a master only. A block diagram showing the IMS G201 in Micro Channel bus mode is given in Section 22.1.2.

22.1.1 Detailed IMS G201 block diagram for AT bus mode

Figure 22.1 shows the main functional units and all pin connections of the IMS G201 in AT bus mode.

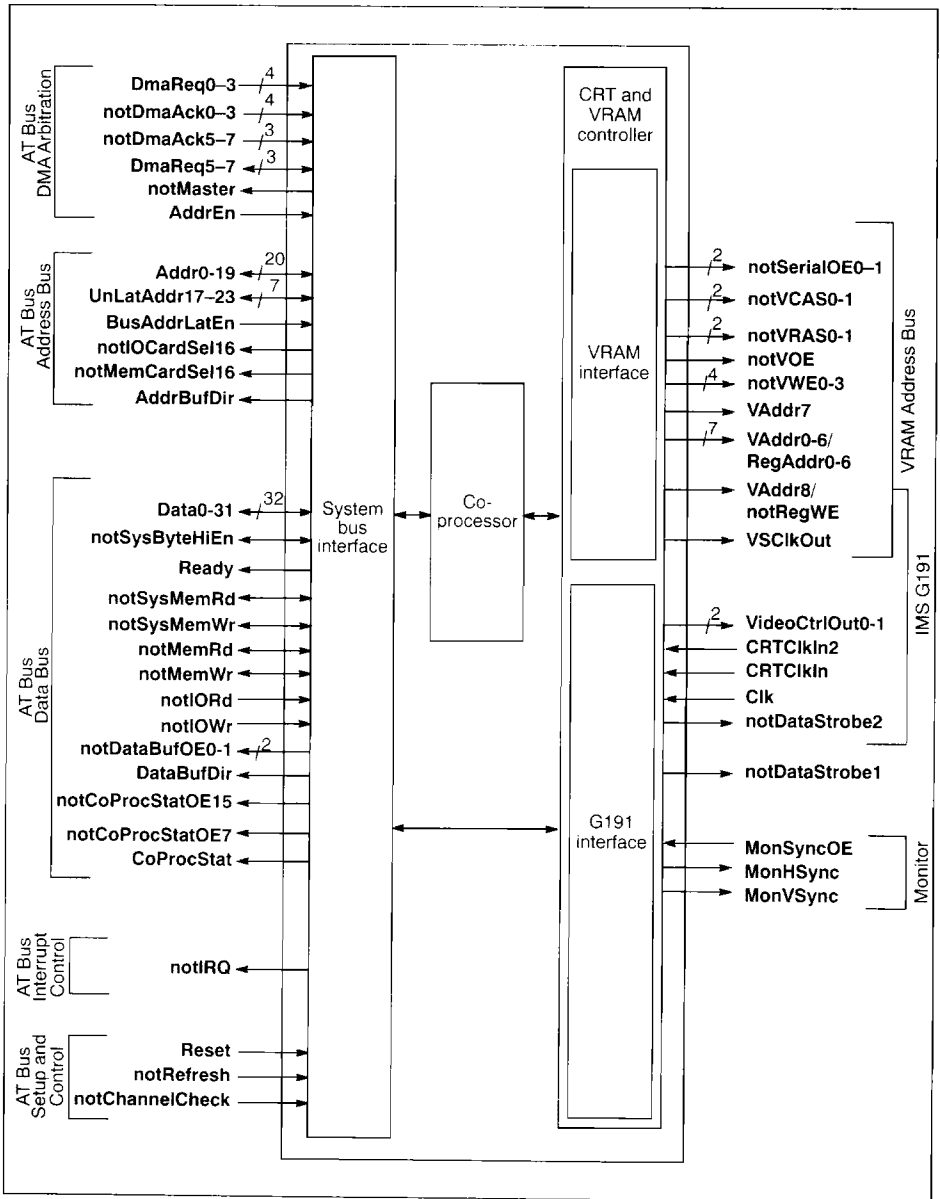


Figure 22.1 IMS G201 block diagram for AT bus mode

22.1.2 Detailed IMS G201 block diagram for Micro Channel bus mode

Figure 22.2 shows the main functional units and all pin connections of the IMS G201 in Micro Channel bus mode.

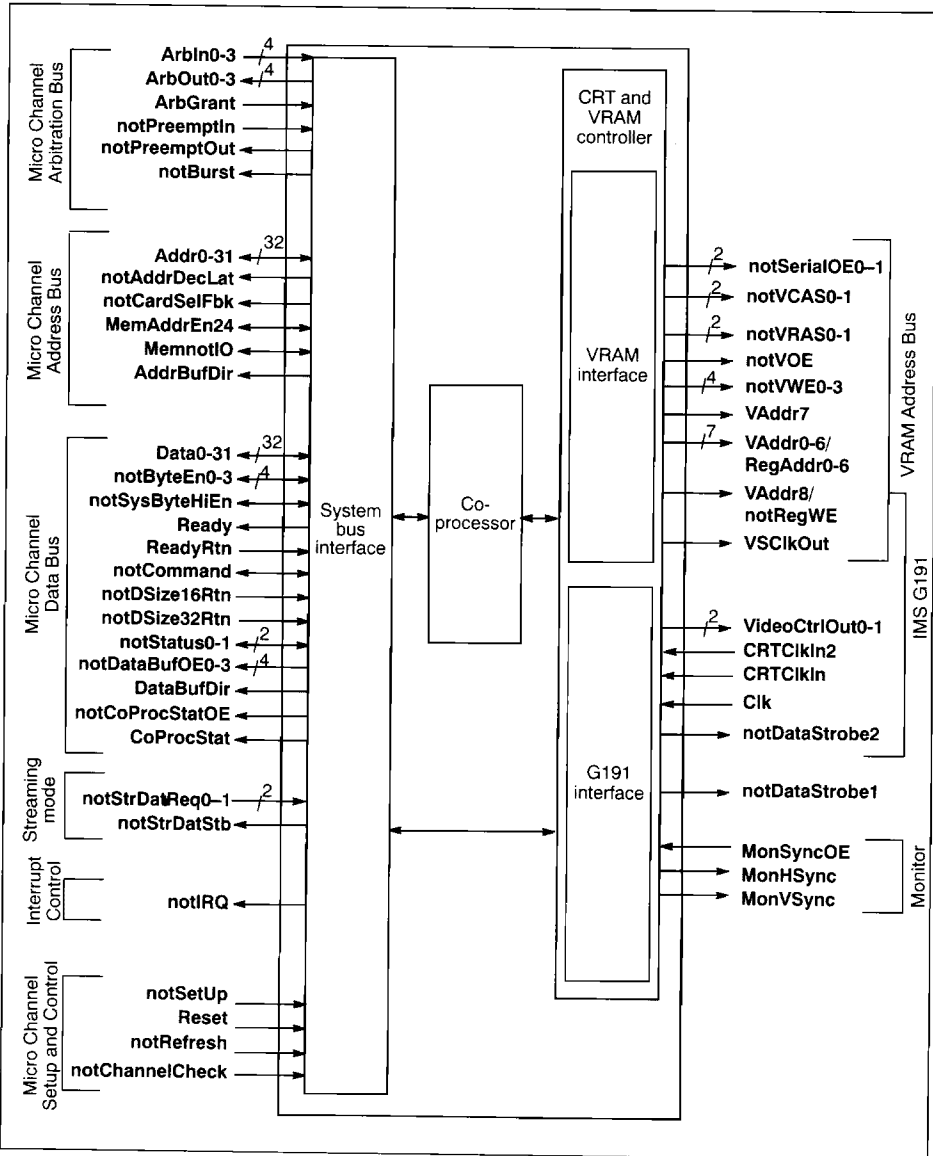


Figure 22.2 IMS G201 block diagram for Micro Channel bus mode

22.2 Pin function reference guide

Signal names are prefixed by **not** if they are active low, otherwise they are active high.

22.2.1 System bus interface

The pins on the system bus interface are dual function. The function of the pins is dependent on whether it is interfacing to an AT bus or a Micro Channel bus. The sub-section below lists the pin descriptions when the IMS G201 is operating in AT bus mode, this is followed by a separate sub-section detailing the pins when in Micro Channel mode.

AT bus mode

AT bus Address bus

| Pin name | I/O | Signal description |
|------------------------|-----|---|
| Addr0-19 | I/O | These address signals are generated by the microprocessor or DMA controller and are gated on the system bus when BusAddrLatEn is high. They are used by the AT bus interface logic for register decoding. |
| UnLatAddr17-23 | I/O | These signals generate memory decodes for 16 bit, 1 wait state, memory cycles and may be derived from the system microprocessor or other arbitrated devices or DMA controllers. |
| BusAddrLatEn | I | This signal indicates a valid microprocessor or DMA address and is used for address latching. |
| notIOCardSel16 | O | This signal indicates to the system that the current data transfer is a 16 bit 1 wait state, I/O cycle. It is derived from the decode of UnLatAddr0-15 and is driven with a tri-state driver capable of sinking 20mA. |
| notMemCardSel16 | O | This signal indicates to the system that the current data transfer is a 16 bit 1 wait state, memory cycle. It is derived from the decode of UnLatAddr17-23 and is driven with a tri-state driver capable of sinking 20mA. |
| AddrBufDir | O | This pin controls the direction of an external 3 state bidirectional buffer isolating the IMS G201 from the AT bus. Active high signifies the AT bus is driving the IMS G201 pins (G201 is the slave), and active low signifies that IMS G201 is driving the AT bus (G201 is the master). |

AT bus Arbitration bus

| Pin name | I/O | Signal description |
|---------------------|-----|---|
| DmaReq5-7 | I/O | These signals asynchronously request a bus master service. They are prioritized with DmaReq5 having highest priority and DmaReq7 having lowest. |
| notDmaAck5-7 | I | A DMA request is serviced after an arbitration acknowledge generated on notDmaAck5-7 . |
| DmaReq0-3 | I | The 8-bit DMA resources are used to monitor DMA activity on the bus for Pacing control. |
| notDmaAck0-3 | I | A DMA request is serviced after an arbitration acknowledge generated on notDmaAck0-3 . The 8-bit DMA resources are used to monitor DMA activity on the bus for internal Pacing control of the IMS G201. |
| notMaster | O | This signal is used with a DmaReq line to gain control of the system. Typically an arbitrating controller (the IMS G201) on the I/O channel may assert this signal to allow control of the system address, data and control lines. |
| AddrEn | I | When active, the address enable signal AddrEn tri-states the micro-processor and other devices from the I/O channel to allow DMA transfers to take place. |

AT bus Data bus

| Pin name | I/O | Signal description |
|------------------|-----|--|
| Data0-15 | I/O | The Data15 signal line represents the most significant bit and Data0 the least significant bit of the AT data bus. The data pins are shared by the VRAM random data port and the AT bus. The data pins may connect directly to the VRAM but must be isolated from the AT bus by suitable bi-directional three-state drivers. |
| Data16-31 | | This portion of the data bus completes the unbuffered 32-bit connection (Data0-31) to the VRAM random port. |
| Data8-11 | | Data8-11 are also used to carry an address for external registers. |
| Data8-26 | | Data8-26 are also used to carry an address for external memory (typically EPROM). Data23-26 correspond to bits 2-5 in the ROM paging register in AT bus mode. |
| Data27 | | Data27 (with notDataStrobe1) is also a strobe qualifier for chip configuration data. |
| Data28 | | Data28 is also a strobe qualifier for writes to external memory. A low on this signal when the notDataStrobe1 pin pulses low indicates an external memory write. |
| Data29 | | Data29 is also a strobe qualifier for reads from external memory. A low on this signal when the notDataStrobe1 pin pulses low indicates an external memory read. |
| Data30 | | Data30 is also a strobe qualifier for external register writes. A low on this signal when the notDataStrobe1 pin pulses low indicates an external register write. |
| Data31 | | Data31 is also a strobe qualifier for external register reads. A low on this signal when the notDataStrobe1 pin pulses low indicates an external register read. |

| Pin name | I/O | Signal description |
|--------------------------|-----|--|
| notSysByteHIEn | I/O | System byte high enable signal indicates the transfer of data on the high byte of the data bus (Data8-15). 16 bit devices use notSysByteHIEn to condition the respective data buffers. |
| Ready | I/O | The Ready signal allows resources to indicate to the bus owner that additional cycle time is required. If the Ready signal is not driven inactive, the cycle either is a no wait state or a standard cycle. If the Ready signal is driven inactive, the cycle length is extended until the line is driven active again. |
| notSysMemRd | I | This signal instructs memory devices to drive data onto the data bus. notSysMemRd is active only when the memory decode is within the low 1Mbyte of memory space. |
| notSysMemWr | I | This signal instructs memory devices to store the data present on the data bus. notSysMemWr is active only when the memory decode is within the low 1Mbyte of memory space. |
| notMemRd | I/O | This signal instructs the memory devices to drive data onto the data bus. notMemRd is active on all memory read cycles. |
| notMemWr | I/O | This signal instructs the memory devices to store data present on the data bus. notMemWr is active on all memory read cycles. |
| notIORd | I | This signal instructs an I/O device to drive its data onto the data bus. |
| notIOWr | I | This signal instructs an I/O device to store data on the data bus. |
| notDataBufOE0-1 | O | A low on this signal puts the AT data bus isolation buffer in the active state; a high puts it in high impedance state. Bit 0 controls data bus bits 0:7, bit 1 controls data bus bits 8:15. |
| DataBufDir | O | This signal controls the direction of an external bidirectional three state transceiver isolating the AT data bus from the shared VRAM data bus. A low indicates drive towards the AT data bus. A high indicates drive towards the IMS G201 and VRAM. |
| notCoProcStatOE15 | O | When active low this signal enables the output of a 3-state driver that connects the CoProcStat pin to bit 15 of the AT data bus. |
| notCoProcStatOE7 | O | When active low this signal enables the output of a 3-state driver that connects the CoProcStat pin to bit 7 of the AT data bus. |
| CoProcStat | O | The CoProcStat signal indicates whether the coprocessor is busy (active high), or not (active low). The signal in conjunction with notCoProcStatOE7 and notCoProcStatOE15 provides a means of testing the coprocessor status without interrupting the coprocessor to allow the host CPU to use shared VRAM data bus. |

AT bus Interrupt control

| Pin name | I/O | Signal description |
|---------------|-----|--------------------|
| notIRQ | O | Interrupt request |

AT bus Setup and control

| Pin name | I/O | Signal description |
|------------------------|-----|--|
| notRefresh | I | This signal is used to indicate a memory refresh operation is in progress. |
| notChannelCheck | I | This signal is a general error condition. It can be driven active by any resource. |
| Reset | I | Bus reset |
| Clk | I | Clock |

Micro Channel mode

For a full description of the functions of the Micro Channel pins refer to the *IBM PS/2 hardware technical reference manual*.

Micro Channel Address bus

| Pin name | I/O | Signal description |
|----------------------|-----|--|
| Addr0-31 | I/O | Address bus to communicate with the Micro Channel address bus. Addr0 is the least significant bit (LSB) and Addr31 is the most significant bit (MSB). These lines must be buffered externally to meet minimum drive requirements of the Micro Channel. |
| MemAddrEn24 | I/O | Memory address enable 24 bits. This line indicates when an extended address is used on the bus. When MemAddrEn24 is active this indicates that an unextended 24 bit address for less than or equal to 16 Mbytes is being presented. |
| notCardSelFbk | O | Card selected feedback. When the controlling master (e.g. i386 processor) addresses the G201, the G201 drives notCardSelFbk active to indicate its presence at the address specified. |
| notAddrDecLat | I/O | Address latch bus signal. |
| MemnotIO | I/O | Pin to distinguish between a memory cycle and an input/output (I/O) cycle. When MemnotIO is high a memory cycle is in progress, when low an I/O is in progress. |
| AddrBufDir | O | This pin controls the direction of external buffers between the IMS G201 host address bus pins and the micro channel bus. Active low indicates drive towards the host system bus, and active high towards the IMS G201. |

Micro Channel Arbitration bus

| Pin name | I/O | Signal description |
|----------------------|-----|--|
| ArbOut0-3 | O | These outputs drive the Micro Channel arbitration bus priority levels. These signals must be buffered by an open collector device to meet Micro Channel requirements. |
| ArbIn0-3 | I | These inputs are the Arbitration bits from the Micro Channel bus to enable the IMS G201 to control the bus in bus master mode. |
| ArbGrant | I | Arbitration grant signal. |
| notPreemptOut | O | This is the output portion of the Micro Channel -PREEMPT signal. This signal must be buffered by an open collector or three-state device to comply with Micro Channel convention. |
| notPreemptIn | I | notPreemptIn is logically tied directly to the Micro Channel -PREEMPT signal. This signal in conjunction with notPreemptOut mimics the open collector driver specified for -PREEMPT in the Micro Channel definition. It is used when the IMS G201 is operating in bus master mode. |
| notBurst | O | This signal indicates to the central arbitration control point the extended use of the channel for transferring a block of data. This type of data transfer is called a burst cycle. This signal must be buffered by an open collector or three-state device to comply with the Micro Channel specification. |

Micro Channel Data bus

| Pin name | I/O | Signal description |
|-------------------------|-----|---|
| Data0-31 | I/O | Data bits 0 to 31. Data0 is the LSB and Data31 is the MSB. The data pins are shared by the VRAM random data port and the Micro Channel data bus. They may connect directly to the VRAM but must be isolated from the Micro Channel by suitable bidirectional three-state drivers. |
| Data8-11 | | Data8-11 are also used to carry an address for external registers. |
| Data8-26 | | Data8-26 are also used to carry an address for external memory (typically EPROM). Data21-26 correspond to bits 0-5 in the ROM paging register in Micro Channel bus mode. |
| Data27 | | Data27 (with notDataStrobe1) is also a strobe qualifier for chip configuration data. |
| Data28 | | Data28 is also a strobe qualifier for writes to external memory. A low on this signal when the notDataStrobe1 pin pulses low indicates an external memory write. |
| Data29 | | Data29 is also a strobe qualifier for reads from external memory. A low on this signal when the notDataStrobe1 pin pulses low indicates an external memory read. |
| Data30 | | Data30 is also a strobe qualifier for external register writes. A low on this signal when the notDataStrobe1 pin pulses low indicates an external register write. |
| Data31 | | Data31 is also a strobe qualifier for external register reads. A low on this signal when the notDataStrobe1 pin pulses low indicates an external register read. |
| DataBufDir | O | This signal controls the direction of an external bidirectional three state transceiver isolating the Micro Channel data bus from the shared VRAM data bus. A low indicates drive towards the Micro Channel data bus. A high indicates drive towards the IMS G201 and VRAM. |
| notDataBufOE0-3 | O | A low on this signal puts the external Micro Channel data bus isolation buffer in the active state; a high puts it in high impedance state. Bit 0 controls data bus bits 0:7, bit 1 controls data bus bits 8:15, bit 2 controls data bus bits 16:23, and bit 3 controls data bus bits 24:31. |
| notCommand Ready | I/O | This signal is used to define when data is valid on the data bus. |
| ReadyRtn | O | This normally active signal is pulled inactive (not ready) by the IMS G201 to allow additional time to complete a Micro Channel operation. |
| ReadyRtn | I | A positive AND of all the Micro Channel CD CHRDY (Ready) signals. |
| CoProcStat | O | The CoProcStat pin is an external output of 7 (BSY) of the External Polling Register (offset 11 in coprocessor address space). This provides an additional method of reading the coprocessor busy status without halting its operation (as would happen if the status was read via the coprocessor data bus). CoProcStat should be connected through a tri-state buffer to Data15 (or Data7 on an 8 bit bus). |
| notCoProcStatOE | O | This pin provides the enable input for the tri-state buffer that connects the CoProcStat pin to bit 15 of the host data bus (host side of the data buffer's transceivers). |

| Pin name | I/O | Signal description | | | | | | | | | | | | | | | | | | | | |
|-----------------------|------------|---|--------------|------------|------------|----------|---|---|---|-----------|---|---|---|----------|---|---|---|--------------|---|---|---|-------------|
| notStatus0-1 | I/O | Status bits 0 and 1. These lines indicate the start of a cycle and also define the type of cycle. Used in conjunction with the MemnotIO pin memory read/write operations are distinguished from I/O read/write operations as defined below: <table border="1" data-bbox="401 236 899 416"> <thead> <tr> <th>MemnotIO</th> <th>notStatus0</th> <th>notStatus1</th> <th>Function</th> </tr> </thead> <tbody> <tr> <td>0</td> <td>0</td> <td>1</td> <td>I/O write</td> </tr> <tr> <td>0</td> <td>1</td> <td>0</td> <td>I/O read</td> </tr> <tr> <td>1</td> <td>0</td> <td>1</td> <td>memory write</td> </tr> <tr> <td>1</td> <td>1</td> <td>0</td> <td>memory read</td> </tr> </tbody> </table> | MemnotIO | notStatus0 | notStatus1 | Function | 0 | 0 | 1 | I/O write | 0 | 1 | 0 | I/O read | 1 | 0 | 1 | memory write | 1 | 1 | 0 | memory read |
| MemnotIO | notStatus0 | notStatus1 | Function | | | | | | | | | | | | | | | | | | | |
| 0 | 0 | 1 | I/O write | | | | | | | | | | | | | | | | | | | |
| 0 | 1 | 0 | I/O read | | | | | | | | | | | | | | | | | | | |
| 1 | 0 | 1 | memory write | | | | | | | | | | | | | | | | | | | |
| 1 | 1 | 0 | memory read | | | | | | | | | | | | | | | | | | | |
| notDSize16Rtn | I | Data size 16 bits return. This signal is provided to allow the controlling master to monitor the data size information. | | | | | | | | | | | | | | | | | | | | |
| notDSize32Rtn | I | Data size 32 bits return. This signal is provided to allow the controlling master to monitor the data size information. | | | | | | | | | | | | | | | | | | | | |
| notSysByteHiEn | I/O | System byte high enable. This line indicates and enables transfer of data on the high byte of the data bus (Data8-15) and is used with Addr0 to distinguish between high byte transfers (Data8-15) and low byte transfers (Data0-7). | | | | | | | | | | | | | | | | | | | | |
| notByteEn0-3 | I/O | Byte enables (used in conjunction with 32-bit bus cycles). | | | | | | | | | | | | | | | | | | | | |

Micro Channel Interrupt control

| Pin name | I/O | Signal description |
|---------------|-----|--------------------|
| notIRQ | O | Interrupt request |

Micro Channel Setup and control

| Pin name | I/O | Signal description |
|------------------------|-----|--|
| notRefresh | I | This signal is used to indicate a memory refresh operation is in progress. |
| notChannelCheck | I | This signal is a general error condition. It can be driven active by any resource. |
| notSetup | I | Micro Channel bus setup |
| Reset | I | Bus reset |
| Clk | I | Clock |

Micro Channel Streaming mode

| Pin name | I/O | Signal description |
|------------------------|-----|---|
| notStrDatStb | O | Connects to the Micro Channel –SD STB signal. notStrDatStb is driven by the IMS G201 (acting as the bus master) and serves as a clock, delimiting words in a streaming data transfer. |
| notStrDatReq0-1 | I | Connects to the Micro Channel –SDR(0,1) signals. –SDR(0,1) are driven by the bus slave, following the activation of the Address Data Latch signal, to indicate that it supports streaming data. |

22.2.2 VRAM interface

| Pin name | I/O | Signal description |
|-------------------|-----|--|
| VAddr0-8 | O | These pins have different functions depending on the operation. VAddr0-8 carry the row and column addresses to the VRAMs to be strobed by the appropriate RAS or CAS signal. |
| VAddr0-6 | | VAddr0-6 lines are also used to send the address of the IMS G191 parameter registers to the IMS G191. |
| VAddr8 / notRegWE | | VAddr8 is also used as a notRegWE pin to indicate to the IMS G191 whether the IMS G191 addressed register is being written to or read from. A high on this signal indicates a read from the register, a low indicates a write to the register. |
| notSerialOE0-1 | O | Serial output enable strobes for multiplexing data from any one of four VRAM serial ports. |
| notVCAS0-1 | O | VRAM column address strobes. |
| notVRAS0-1 | O | VRAM row address strobes. |
| notVWE0-3 | O | Write Enable control for VRAM data. A low indicates a write operation. Bit 0 controls Data 0-7 Bit 1 controls Data 8-15 Bit 2 controls Data 16-23 Bit 3 controls Data 24-31 |
| notVOE | O | This signal connects to the TRANSFER/OUTPUT ENABLE of the VRAM. It enables the VRAM outputs at the appropriate times as well as defining serializer load cycles to the VRAM. |
| VSClkOut | O | This signal causes shift cycles on the VRAM serial ports. The IMS G201 controls the shift timing based on bits per pixel and pre-scaling of the master clock source from the IMS G191. |

22.2.3 IMS G191 interface

| Pin name | I/O | Signal description |
|-------------------------------------|--------|---|
| VideoCtrlOut0-1 | O | These pins represent the horizontal scan line state. Table 22.8 (page 502) shows the decoding of the bits. |
| notDataStrobe2 | O | This signal is used to strobe data from the IMS G201 to the IMS G191. It is used to communicate register contents programmed by the host processor and decoded in the IMS G201. A low sent on this pin to the IMS G191 indicates that the IMS G191 should perform the action defined by the VAddr0-6 and notRegWE pins. |
| CRTCikIn CRTCikIn2 | I I | CRTC clocks. These clocks are sourced by the IMS G191 and are used by the IMS G201 to generate all video related timings. |
| MonHSync | O | This is the monitor horizontal sync pulse. It can be programmed to pulse either positive or negative. It enters the high impedance state when MonSyncOE is high. |
| MonVSync | O | This is the monitor vertical sync pulse. It can be programmed to pulse either positive or negative. It enters the high impedance state when MonSyncOE is high. |
| MonSyncOE | I | A low on this input will cause the MonHSync and MonVSync to three-state their outputs. |

22.2.4 Supplies

| Pin name | I/O | Signal description |
|------------|-----|--------------------|
| VDD | | VDD |
| GND | | GND |

22.2.5 Miscellaneous

| Pin name | I/O | Signal description |
|-----------------------|-----|--|
| notDataStrobe1 | O | This signal strobes low to cause reads and writes to/from the external memory (typically PROM) and external registers. |
| HoldToGND | | Must be connected to GND |
| HoldToVDD | | Must be connected to VDD |
| N/C | | No Connect (this refers to unused pins). Do not wire this pin. |

22.3 Coprocessor

The coprocessor provides hardware drawing assist functions. These functions can be performed on graphics data in both video memory and system memory.

The coprocessor updates memory independent of the system microprocessor. A virtual memory feature allows the coprocessor to perform linear to physical address conversion in a manner consistent with the paging operation in the 80X86 processor family. The instructions are written to a set of memory-mapped registers (see Section 22.7.1); the coprocessor then executes the drawing function.

The coprocessor functions are summarized below:

- Pixel Block Transfer (PxBlT) - This function provides a four term block transfer capability of an entire bit map, or part of a bit map, from one location to another. This transfer can be: within video memory, within system memory, or between system and video memory.
- Line draw - This function draws lines, with a programmable style, into a bit map in video memory or system memory.
- Area fill - This function fills an outlined area with a programmable pattern. It can be performed on an area outline in video or system memory.
- Logical and arithmetic pixel mixes - These functions provide logical and arithmetic operators that can be used against data in video or system memory.
- Scissoring - This function provides a rectangular mask function, which can be used instead of the mask map.
- Map masking - This function provides control over updates to each pixel for all drawing functions.
- X, Y addressing - This function allows a pixel to be specified by its X and Y coordinates within a pixel map, instead of its linear address in memory.
- Virtual addressing - When enabled, this function causes the coprocessor function to utilize a page table of a form identical to the 80X86 processor family page table. A translation look aside buffer is kept on chip to speed conversion of addresses.

22.3.1 Pixels, pixel maps and X, Y addressing

The drawing coprocessor works on pixels within pixel maps. A pixel map is an area of memory at a given address (the base address) with a defined width, height and pixel format. Pixels can have 1, 2, 4, 8 or 16 bits. The pixels can be ordered within bytes in one of two ways: left to right or vice versa. The XGA allows pixel maps of any arbitrary size up to 4096x4096 pixels.

The coprocessor is programmed using X, Y coordinates that are automatically converted into linear memory addresses (using the defined width and pixel size) before accessing the physical memory (see Figure 22.3).

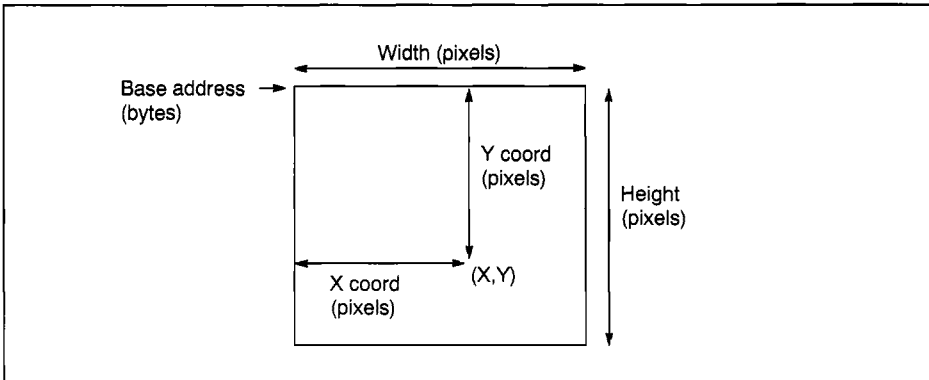


Figure 22.3 Pixels are addressed using X,Y coordinates within pixel maps

The programmer can define up to four pixel maps at one time. Three maps (A, B and C) are general purpose; the other is always used as the mask map. When starting a drawing operation, the programmer tells the coprocessor which maps are to be used as the source, the pattern, and the destination. In this way, map A, for example, could be the display pixel map. It could then be used as source, destination, or both, without having to move the pixel map parameters from one set of registers to another.

22.3.2 Pixel maps in system memory

A certain amount of space is available in the non-displayed (off-screen) areas of video memory. This is often used for storing fonts and off-screen pixel maps. GUIs, however, make extensive use of off-screen pixel maps (for example, for pull-down menus), and may be called upon to use fonts that are too large to fit in off-screen video memory. When the off-screen video memory is full, the GUI device driver can use normal system memory. With previous adapters, this generally meant processing the pixels using the system processor which is slow compared to special drawing hardware, especially if the operation is not a simple copy. It also ties up the processor and prevents it from preparing for the next drawing operation.

The XGA uses bus-mastership on the bus (AT bus or Micro Channel) to overcome these problems. The drawing coprocessor's power can be used on pixel data anywhere in system or video memory.

To support paged memory environments, where the paging unit in the 80386 or 80486 is turned on, the XGA includes its own paging unit, using page tables of the same form. The XGA can operate using the main page tables used by the operating environment (with its cooperation), or on tables built by device drivers or applications themselves.

22.3.3 Pixel block transfer (PxBlt)

The PxBlt function works with four operands: the source, the pattern, the destination and mask. The source may come from a pixel map to copy data, or from color registers to set the destination to a particular color. The pattern may come from a pixel map, indirectly from the source, or it may be disabled.

For each pixel, the source and destination are combined using a Mix function selected by the 1-bit-per-pixel pattern. A 0 in the pattern selects the background mix, and a 1 selects the foreground mix. A full set of logical mixes is provided, supporting OS/2 and Windows Raster Operations (ROPs), with a selection of arithmetic mixes. Fast text drawing is crucial to windowing environments and other interactive applications. The pattern can select between foreground and background colors, allowing a 1-bit-per-pixel text font in the pattern map to be rapidly expanded to colored characters in the destination.

The pattern and the source have another common feature. The X, Y addresses for these maps automatically wrap when they reach either side or top and bottom. This allows a small pattern to be "tiled" over a large area in the destination using a single operation (see Figure 22.4).

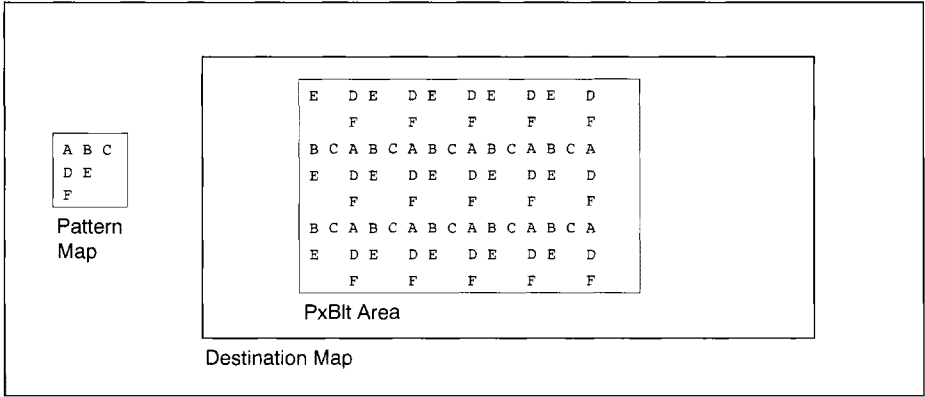


Figure 22.4 Patterns are automatically tiled

22.3.4 Lines

The coprocessor draws lines using the Bresenham line-drawing algorithm. All pixels of a line can be drawn, or the first or last pixel can be suppressed to draw poly lines correctly.

As with PxBit, the pattern and source X, Y coordinates wrap at the edge of the maps. Line drawing, however, is different. While the X, Y coordinates of the destination move along the required path, the coordinates in the source and pattern move horizontally - left to right only. A simple 1-pixel-high pattern is drawn along the line, as shown in Figure 22.5.

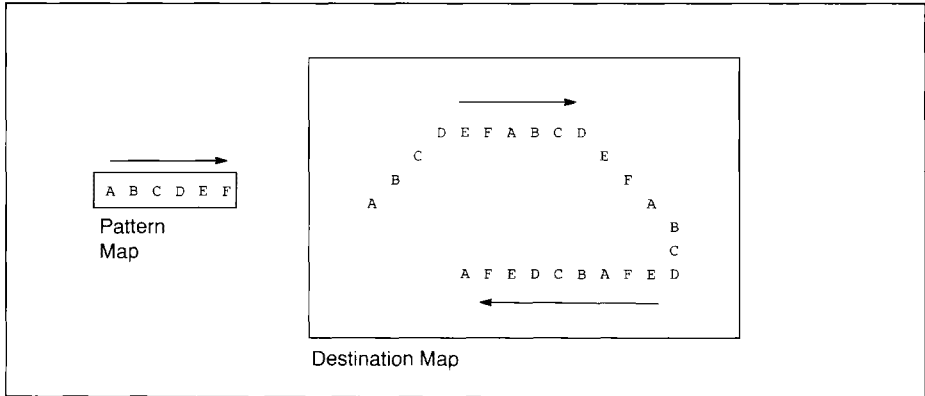


Figure 22.5 Line patterns are also pixel maps

Short lines can be drawn with simpler commands using 'short stroke vectors', line segments up to 16 pixels long, and in one of eight directions (the X axis, the Y axis and the 45° lines in between).

22.3.5 Area fill

The coprocessor allows arbitrary areas to be filled rapidly. The area is defined by an outline drawn in a 1-bit-per-pixel map. The outline is drawn using special versions of the line drawing functions (including short strokes).

When the outline is complete, a special PxBit fills the inside of the defined figure. A parity fill algorithm is used, where a rectangle is scanned from left to right, starting from outside the figure, and alternately moving in and out of the figure as each successive boundary is crossed. The area can also be filled with a pattern if required.

22.3.6 Scissoring and map masking

The coprocessor can, under programmer control, automatically 'scissor' (that is, not draw) pixels that an operation attempts to draw outside a specified area. That area can be a simple rectangle, or a more complex shape defined in a pixel map (the mask map), with a pattern of 1's and 0's (1 allows the corresponding pixel in the destination to be changed; a 0 protects that pixel). This function can be used, for example, when drawing into a background window that is partially obscured by other windows.

22.3.7 State save and restore

In a multi-tasking environment, the system processor must change tasks from time to time. When changing tasks, the state of the current task must be saved so that it can be restored and continued at a later time. The state of the coprocessor can be rapidly saved and restored, making multi-tasking operation possible.

The coprocessor's operation can be suspended at any time and later resumed. Once suspended, the entire state of the coprocessor, including internal registers not visible in the address space, can be saved to memory by reading repeatedly from two 32 bit I/O ports. The 80X86 string input (INS) instruction can be used for this. The state is restored by writing the previously saved state data back into the same ports (using the OUTS instruction). Once resumed, the operation will continue from exactly the point at which it was suspended.

22.4 System bus interface

This portion of the IMS G201 display controller provides control of the interface between the video subsystem and the system microprocessor. It decodes the addresses for VGA and XGA I/O registers and the memory addresses for the coprocessor memory-mapped registers and video memory. It also provides controls that allow access to: registers in the IMS G191 serializer palette DAC, data in the sprite memory, ROM, and external registers.

The system bus interface is designed to interface to an AT bus or a Micro Channel. For interfacing to an AT bus it supports: both slave and master operations for a 16 bit interface; slave operations only for an 8 bit interface. For interfacing to a Micro Channel it supports both slave and master operations for a 32 bit or a 16 bit interface. Refer to Section 22.10.1 detailing the hardware interfaces for further information on the system bus interface.

22.5 CRT and VRAM controller

The memory controller controls accessing of the VRAM. It supports memory either 16 or 32 bits wide. The minimum implementation is 512 Kbytes.

The CRT controller (CRTC) generates all the timing signals required to drive the serializer and the display. It consists of two counters, one for horizontal parameters, and one for vertical parameters, and a series of registers. The counters run continuously, and when the count value reaches that specified in one of the associated registers, the event controlled by that register occurs.

22.5.1 Extended mode CRT controller register interpretations

A pictorial representation of the function of each of the CRT controller registers is shown in Figure 22.6.

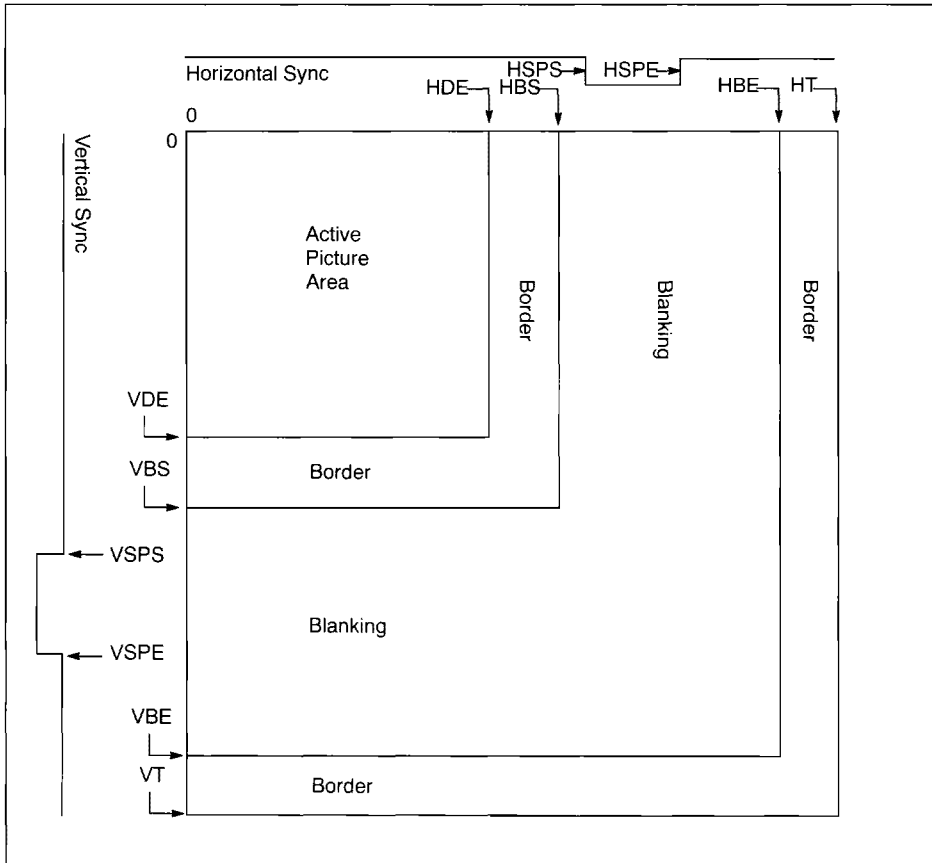


Figure 22.6 CRT controller register definitions

| Horizontal scan registers | | Vertical scan registers | |
|---------------------------|--------------------------------------|-------------------------|------------------------------------|
| HT | Horizontal total register | VT | Vertical total register |
| HDE | Horizontal display end register | VDE | Vertical display end register |
| HBS | Horizontal blanking start register | VBS | Vertical blanking start register |
| HBE | Horizontal blanking end register | VBE | Vertical blanking end register |
| HSPS | Horizontal sync pulse start register | VSPS | Vertical sync pulse start register |
| HSPE | Horizontal sync pulse end register | VSPE | Vertical sync pulse end register |

Table 22.1 Registers which control a horizontal and a vertical scan of the display

The XGA can be programmed to inform the host processor of the start and the end of the Active Picture Area using a system interrupt. An enable and a status bit exist for each interrupt.

22.6 XGA I/O-mapped and memory-mapped registers

XGA is controlled using a combination of I/O-mapped and memory-mapped registers. I/O-mapped registers are those that appear in the I/O address space of an 80X86 processor, and are accessed using IN, OUT, or other I/O instructions. Memory-mapped registers appear in the memory address space of an 80X86 processor, and are accessed using standard memory operations with all the available combinations of registers and addressing modes. In addition, many I/O-mapped registers are indexed (that is, the register is selected using an index in one I/O port, and the data for all indexed registers is written through a second I/O port). This technique, used also by the VGA, reduces the I/O address space required.

Memory-mapped registers are generally used to control the drawing coprocessor, where frequent access requires good performance. I/O-mapped registers (indexed and direct) are used for the remainder (mainly setup registers, where performance is less important). Table 22.2 shows the XGA direct access I/O registers.

| I/O port address | Register | Read/Write | Description |
|--------------------------------------|---------------------------------|------------|---|
| 21x0 | Operating mode | R/W | Defines display mode (VGA, 132 or XGA) |
| 21x1 | Aperture control | R/W | Controls a 64K aperture through which the XGA memory can be accessed in the system address space. This window gives real mode applications and operating systems a means of accessing the XGA video memory. |
| 21x2 | | | Reserved |
| 21x3 | | | Reserved |
| 21x4 | Interrupt enable | R/W | Contains bits to enable/disable the interrupt conditions that can be generated by the subsystem. |
| 21x5 | Interrupt status | R/W | Indicates the interrupt status bits that can be generated by the subsystem and used to reset the corresponding interrupts. |
| 21x6 | Virtual memory control | R/W | This register is directly mapped to the I/O address space. |
| 21x7 | Virtual memory interrupt status | R/W | This register is directly mapped to the I/O address space. |
| 21x8 | Aperture index | R/W | Used to provide address bits to the video memory when the aperture in system address space being used is smaller than the amount of video memory installed. |
| 21x9 | Memory access mode | R/W | Controls pixel ordering when the video memory is being accessed by the system (not the coprocessor). Intel or Motorola order can be selected. This register also controls the number of bits per pixel. |
| 21xA | Index | R/W | Selects which indexed Extended Graphics Mode register is accessed when any address (base+B) to (base+F) is read or written. |
| 21xB 21xC 21xD 21xE 21xF | Data | R/W | These registers are used when reading and writing to the register indexed by the Index register (21xA). The read/write operation can be of byte, word, or double-word size using these data registers. |

Table 22.2 XGA direct access I/O registers

Multiple XGA adapters (multiple instances) can be used in a system. Each instance has an instance number and has its registers mapped at different addresses. The memory-mapped registers are located at some point within the address range C0000 and DFFFF. The precise location is set by a system dependent configuration process, such as the PS/2 Micro Channel auto-configuration.

It is recommended that instance 0 is not used on AT bus systems, as for some implementations this board number can cause bus conflicts. When using instance 0 on Micro Channel bus systems do not allow the 4MByte video memory aperture to start at address 0xxx, as this will conflict with DOS. Similarly when using instance 7 on Micro Channel bus systems do not allow the 4MByte video memory aperture to reside at the top of the system address space as this conflicts with some systems' BIOS RAM re-map.

When multiple XGA subsystems are installed in a system, the memory-mapped registers for all instances can be mapped within the same 1 Kbyte block of address space. The allocation of addresses is the responsibility of the system configuration process, which ensures that there is no conflict between installed adapters (XGA or others).

Figure 22.7 illustrates how the I/O registers are located. Base address of the sixteen I/O registers of an XGA is 21x0, where x is the instance number. Figure 22.7 shows instance 6.

Figures 22.8 and 22.9 illustrate how the memory-mapped registers are located for an AT bus and a Micro Channel bus system respectively. These figures show instance 6.

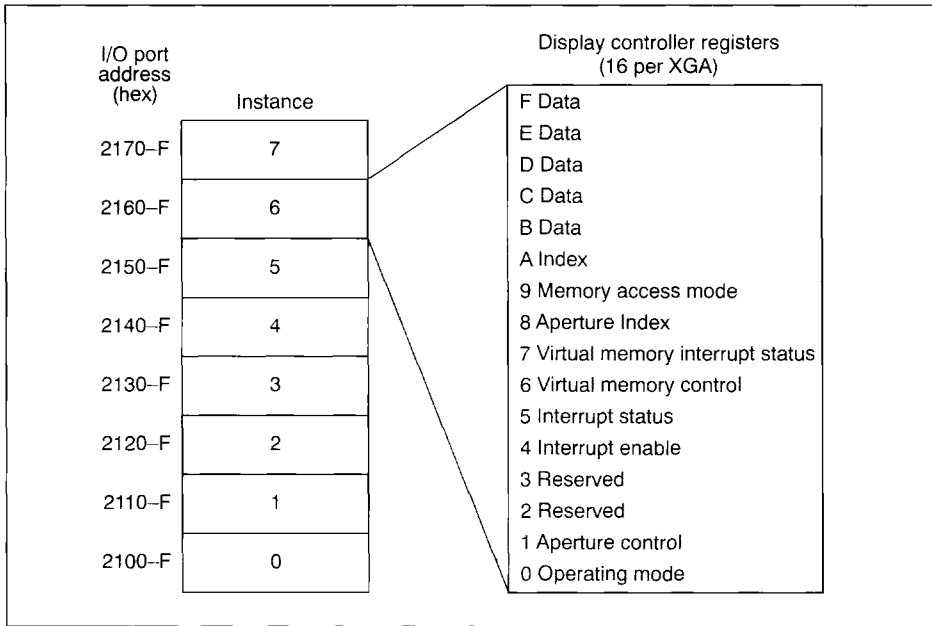


Figure 22.7 I/O port addressing of XGA registers

AT bus system memory-mapped registers

The memory mapped registers occupy 128 bytes of memory in the last 1 Kbyte of a 32 Kbyte address space. This may reside on a 32 Kbyte boundary anywhere between the address range C0000 and DFFFF. The purpose of having a 32 Kbyte region is that the first 31 Kbytes is required for a full BIOS held in the adaptor ROM. The motherboard (planar) implementation of the XGA does not require its own ROM, as the main motherboard ROMs contain all the necessary information, such as XGA initialization code. Adaptor options allow the specification of the BIOS ROM base address and the XGA instance number determines the location of the 128 bytes within the upper 1 Kbyte address space.

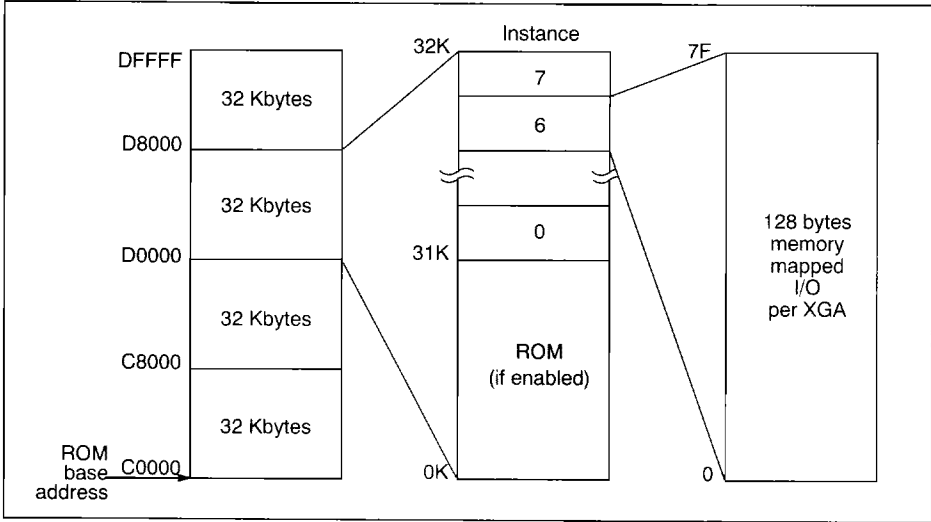


Figure 22.8 Memory mapped addressing of XGA registers for AT bus system

Micro Channel system memory-mapped registers

Base address of the memory-mapped registers of an XGA is (ROM Base address) + 7K + (128xinstance number). Figure 22.9 shows instance 6.

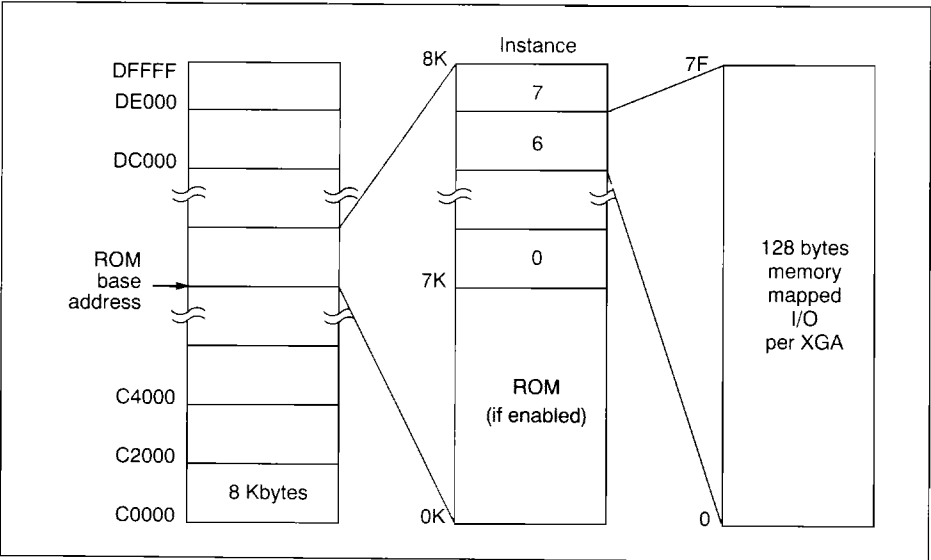


Figure 22.9 Memory mapped addressing of XGA registers for Micro Channel system

Traditionally, display adapters such as the VGA and the 8514/A have been controlled through registers mapped into the 80X86 I/O address space. Memory-mapped registers have been introduced in the XGA for controlling the drawing coprocessor, where accesses are frequent and good performance is essential.

The I/O address space in the 80X86 is limited to 64 Kbytes, so individual adapters can only use a restricted number of addresses (to avoid possible conflicts between adapters). When the adapter contains many registers (typical of a display controller), indexed register addressing schemes are often used, as noted above. Memory address space is much larger (1 Mbyte minimum in real mode), so adapters with memory-mapped registers can avoid using indexing, thus allowing direct access to all registers, and reducing code space and execution time.

When the 80386 is running in Protected mode, the processor normally checks I/O accesses by applications to ensure they are allowed. It reads the I/O Permission Bitmap, a process that adds twenty cycles to each individual I/O access. Memory-mapped registers avoid this overhead, reducing to one-tenth the time taken to start many graphics operations.

Another advantage relates to multiple display adapters. Each instance of the XGA has a different set of register addresses, as shown earlier. Software must be able to run with any possible set. The 80X86 allows base-plus-offset addressing for memory accesses, using a segment register and an immediate or register-based offset. The software would typically set the segment register to point to the first address of the memory-mapped registers, and then have immediate pointers to specific registers. I/O addresses, on the other hand, are always contained in the DX register of an 80X86 processor; no form of base-plus-offset addressing is possible. For I/O-mapped registers, DX must be calculated correctly before each access, taking time and code space.

22.7 IMS G201 register reference guide

The following section lists all the IMS G201 registers with a brief description of the function of each register. The complete register bit format is not included in this datasheet, this is defined in the *XGA Software Programmer's Guide*, document number 72 OEK 258 01. All addresses and indexes are in hexadecimal. Unspecified registers, or registers marked as 'RESERVED', are reserved and must not be written to or read from.

22.7.1 IMS G201 memory mapped registers

The IMS G201 coprocessor is controlled using a bank of 128 memory mapped registers. Table 22.3 shows the register memory map for the IMS G201 coprocessor in Intel register format. The register descriptions are given in Table 22.4.

| Byte 3 | Byte 2 | Byte 1 | Byte 0 | |
|---------------------------------|------------------------|-------------------------------|--------------------|----|
| Page Directory Base Address | | | | 0 |
| Current Virtual Address | | | | 4 |
| RESERVED | | Auxiliary Coprocessor Control | RESERVED | 8 |
| RESERVED | | State B len | State A len | C |
| RESERVED | Pixel Map Index | Coprocessor Control | RESERVED | 10 |
| Pixel Map n Base Pointer | | | | 14 |
| Pixel Map n Height | | Pixel Map n Width | | 18 |
| RESERVED | | | Pixel Map n Format | 1C |
| RESERVED | | Bresenham Error Term | | 20 |
| RESERVED | | Bresenham K1 | | 24 |
| RESERVED | | Bresenham K2 | | 28 |
| Direction Steps | | | | 2C |
| RESERVED | | | | 30 |
| RESERVED | | | | 34 |
| RESERVED | | | | 38 |
| RESERVED | | | | 3C |
| RESERVED | | | | 40 |
| RESERVED | | | | 44 |
| RESERVED | Dest Color Comp. Cond. | Bgd Mix | Fgd Mix | 48 |
| Destination Color Compare Value | | | | 4C |
| Pixel Bit Mask | | | | 50 |
| Carry Chain Mask | | | | 54 |
| Foreground Color Register | | | | 58 |
| Background Color Register | | | | 5C |
| Operation Dimension 2 | | Operation Dimension 1 | | 60 |
| RESERVED | | | | 64 |
| RESERVED | | | | 68 |
| Mask Map Origin Y Offset | | Mask Map Origin X Offset | | 6C |
| Source Map Y Adr | | Source Map X Adr | | 70 |
| Pattern Map Y Adr | | Pattern Map X Adr | | 74 |
| Dest. Map Y Adr | | Dest. Map X Adr | | 78 |
| Pixel Operation | | | | 7C |

Table 22.3 IMS G201 coprocessor register memory map (Intel format)

| Off-set | Register | Read/Write | Description |
|---------|---------------------------------|------------|--|
| 0 | Page Directory Base Address | Write | Contains a 20 bit pointer to the page in physical memory containing the current Page Directory for the current task. |
| 4 | Current Virtual Address | Read | Contains the faulting page address in the event of a 'Not Present' or 'Protection Interrupt' being flagged. |
| 9 | Auxiliary Coprocessor Control | Read | Contains a duplicate status bit to the Coprocessor Busy bit (BSy, bit 7) of the Coprocessor Control register. The state of this bit is provided on the CoProcStat pin, enabling the busy status to be read without halting the coprocessor. |
| C D | State A len State B len | Read | These registers return the length, in double words, of the two parts, A and B of the coprocessor state for save and restore. |
| 11 | Coprocessor Control | R/W | Indicates if the coprocessor is currently executing an operation. In addition, the current coprocessor operation can be terminated or suspended by writing to this register. |
| 12 | Pixel Map Index | Write | Selects which of the pixel maps (A, B, C or mask) the four pixel map description registers apply. |
| 14 | Pixel Map n Base Pointer | Write | Specifies the byte address in memory of the start of a pixel map. If virtual address mode is enabled this address is a virtual address, otherwise it is a physical address. |
| 18 | Pixel Map n Width | Write | Specifies the width in pixels of a pixel map. |
| 1A | Pixel Map n Height | Write | Specifies the height in pixels of a pixel map. |
| 1C | Pixel Map n Format | Write | Specifies the format of a pixel map (Intel or Motorola) and the size of a pixel map in bits/pixel. |
| 20 | Bresenham Error Term | R/W | Specifies the Bresenham Error Term (E) for the draw line function. |
| 24 | Bresenham K1 | Write | Specifies the Bresenham Constant (K1) for the draw line function. |
| 28 | Bresenham K2 | Write | Specifies the Bresenham Constant (K2) for the draw line function. |
| 2C | Direction Steps | Write | Used to specify up to 4 draw and step codes to the coprocessor and to initiate a draw and step operation. |
| 48 | Fgd Mix | Write | Holds the foreground mix value that specifies a logic or arithmetic function to be performed between the Destination and Function 1 second operand pixels during an operation where the Pattern pixel value is 1. |
| 49 | Bgd Mix | Write | Holds the background mix value that specifies a logic or arithmetic function to be performed between the Destination and Function 0 second operand pixels during an operation where the Pattern pixel value is 0. |
| 4A | Dest Color Comp. Cond. | Write | Specifies the destination color compare condition under which destination update is inhibited. |
| 4C | Destination Color Compare Value | Write | Contains the comparison value with which the destination pixels are compared when color compare is enabled. |
| 50 | Pixel Bit Mask | Write | Specifies which bits within each pixel are to be updated by the coprocessor. |

| Off-set | Register | Read/Write | Description |
|----------|--|------------|--|
| 54 | Carry Chain Mask | Write | Contains a mask up to 31 bits wide. The mask is used to specify how the carry chain of the ALU is propagated when performing arithmetic update mixes and color compare operations. |
| 58 | Foreground Color Register | Write | Holds the foreground color to be used during coprocessor operations. The foreground color can be specified as the Foreground Source by setting up the appropriate field in the Pixel Operation Register. |
| 5C | Background Color Register | Write | Holds the background color to be used during coprocessor operations. The background color can be specified as the Background Source by setting up the appropriate field in the Pixel Operation Register. |
| 60 | Operation Dimension 1 | Write | Specifies the width of the rectangle to be drawn by the PxBlt function, or the length of the line in a line draw operation. |
| 62 | Operation Dimension 2 | Write | Specifies the height of the rectangle to be drawn by the PxBlt function. |
| 6C 6C | Mask Map Origin X Offset Mask Map Origin Y Offset | Write | These registers specify the X and Y offset of the Mask Map origin relative to the origin of the Destination Map. |
| 70 72 | Source Map X Adr Source Map Y Adr | R/W | These registers specify the X and Y coordinates of the coprocessor operation Source pixel. |
| 74 76 | Pattern Map X Adr Pattern Map Y Adr | R/W | These registers specify the X and Y coordinates of the coprocessor operation Pattern pixel. |
| 78 7A | Dest. Map X Adr Dest. Map Y Adr | R/W | These registers specify the X and Y coordinates of the coprocessor operation Destination pixel. |
| 7C | Pixel Operation | Write | It is used to define the flow of data during an operation, specifies the address update function that is to be performed, and initiates PxBlt and Line Draw operations. |

Table 22.4 IMS G201 coprocessor memory mapped register descriptions

22.7.2 IMS G201 XGA indexed access I/O registers

The following table lists all the XGA indexed access I/O registers. Where a G191 address is given, the register does not reside in the IMS G201, but resides in the IMS G191. The IMS G201 delivers an address to the IMS G191 to access the register. Where no G191 address is given the register resides in the IMS G201.

There are four registers which are shared by the IMS G201 and the IMS G191 (index 30, 50, 51 and 54). These registers reside in both chips.

| G201 Index | G191 Addr. | Register | Read/Write | Description |
|----------------|------------|--|------------|---|
| 00 01 02 | 01 | Memory configuration 0 Memory configuration 1 Memory configuration 2 | | These registers are card design specific and are used to configure the chip. They will vary depending on the amount and type of VRAM used. |
| 03 | | | | RESERVED |
| 04 05 | | Auto-configuration 1 Auto-configuration 2 | Read | See Section 22.9 for a description of each register. |
| 06-0B | | | | RESERVED |
| 0C 0D | | Coprocessor save/restore data A data B | | These registers are an image of a port in the coprocessor. They are used to save and restore the two parts, A and B, of the internal state of the coprocessor. |
| 0E-0F | | | | RESERVED |
| 10 11 | | Horizontal total Lo Hi | R/W | These registers define the total length of a scan line in units of eight pixels. |
| 12 13 | | Horizontal display end Lo Hi | R/W | These registers define the position of the end of the active picture area relative to (after) the start of the active picture area in units of eight pixels. |
| 14 15 | | Horizontal blanking start Lo Hi | R/W | These registers define the position of the end of the picture border area relative to (after) the start of the active picture area in units of eight pixels. |
| 16 17 | | Horizontal blanking end Lo Hi | R/W | These registers define the position of the start of the picture border area relative to (after) the start of the active picture area in units of eight pixels. |
| 18 19 | | Horizontal sync pulse start Lo Hi | R/W | These registers define the position of the start of horizontal sync pulse relative to (after) the start of the active picture area in units of eight pixels. |
| 1A 1B | | Horizontal sync pulse end Lo Hi | R/W | These registers define the position of the end of horizontal sync pulse relative to (after) the start of the active picture area in units of eight pixels. This Extended Graphics Mode register is also used in 132 Column Text Mode in place of the VGA 'End Horizontal Retrace' register. In that mode each eight pixel unit is equivalent to one character. |

| G201 Index | G191 Addr. | Register | Read/Write | Description |
|------------|------------|---|------------|--|
| 1C 1Er | | Horizontal sync position | Write | These registers allow the HSYNC signal to be delayed by up to 6 pixels. The required value must be written to both registers. Note that for a delay of four pixels this value is zero. |
| 1D | | | | RESERVED |
| 1F | | | | RESERVED |
| 20 21 | | Vertical total Lo Hi | R/W | These registers define the total length of a frame in units of one scan line. |
| 22 23 | | Vertical display end enable Lo Hi | R/W | These registers define the position of the end of the active picture area relative to (after) the start of the active picture area in one scan line units. |
| 24 25 | | Vertical blanking start Lo Hi | R/W | These registers define the position of the end of the picture border area relative to (after) the start of the active picture area in units of one scan line. |
| 26 27 | | Vertical blanking end Lo Hi | R/W | These registers define the position of the start of the picture border area relative to (after) the start of the active picture area in units of one scan line. |
| 28 29 | | Vertical sync pulse start Lo Hi | R/W | These registers define the position of the start of the vertical sync pulse relative to (after) the start of the active picture area in units of one scan line. |
| 2A | | Vertical sync pulse end | R/W | This register defines the position of the end of vertical sync pulse. The value loaded is the Least Significant (LS) byte of a 16 bit value which defines the end of the vertical sync pulse relative to (after) the start of the active picture area in units of one scan line. The vertical sync end position must be within 31 scan lines of the vertical sync start position. |
| 2B | | | | RESERVED |
| 2C 2D | | Vertical line compare Lo Hi | R/W | These registers define the position of the end of the scrollable picture area relative to (after) the start of the active picture area in units of one scan line. |
| 2E-2F | | | | RESERVED |
| 30* 31 | 03 | Sprite horizontal start Lo Hi | R/W | These registers define the position of the start of the Sprite relative to (after) the start of the active picture area in pixels. |
| 32 | 04 | Sprite horizontal preset | R/W | This register resides in the IMS G191. |
| 33 34 | | Sprite vertical start Lo Hi | R/W | These registers define the position of the start of the Sprite relative to (after) the start of the active picture area in units of one scan line. |

| G201 Index | G191 Addr. | Register | Read/Write | Description |
|----------------------------------|----------------------------------|--|------------|--|
| 35 | | Sprite vertical preset | R/W | This register defines the vertical position within the 64 by 64 sprite area at which the Sprite starts. The sprite always ends at position 63 (i.e. it does not wrap). |
| 36 | 05 | Sprite control | R/W | This register resides in the IMS G191. |
| 37 | | | | RESERVED |
| 38 39 3A 3B 3C 3D | 38 39 3A 3B 3C 3D | Sprite color 0 red Sprite color 0 green Sprite color 0 blue Sprite color 1 red Sprite color 1 green Sprite color 1 blue | R/W | These registers reside in the IMS G191. |
| 3E-3F | | | | RESERVED |
| 40 41 42 | | Start address Lo Start address Mi Start address Hi | R/W | These registers define the address of the start of the visible portion of the video buffer in units of 8 bytes. |
| 43 44 | | Buffer pitch Lo Buffer pitch Hi | R/W | These registers define the amount of memory allocated for each scan line in units of 8 bytes. |
| 45-4F | | | | RESERVED |
| 50* | 06 | Display Mode 1 | R/W | This register contains fields defining the display blanking, display scan order, video extension enabled /disabled, and sync polarity. |
| 51* | 07 | Display mode 2 | R/W | This register contains fields defining the pixel size (for the serializer, palette and DAC) and the display scale factors (horizontal and vertical). |
| 52 | 08 | Display ID and comparator | Read | This register contains fields indicating the type of display attached and the state of three diagnostic status bits associated with the DAC. |
| 53 | 09 | System ID | Read | The contents of this register return the display controller ID. |
| 54* | 0A | Clock frequency select 1 | R/W | Selects the IMS G191 clock scale factor and the register used to program the pixel clock. |
| 55 | 0B | Border color | R/W | This register holds the Border Color palette index. |
| 56* | 0C | Fixed clock frequency address | R/W | Used to address the Fixed pixel clock frequency registers. |
| 57* | 0D | Fixed clock frequency data | R/W | Provides access to the Fixed pixel clock frequency registers. |
| 58* | 0E | Programmed pixel clock frequency | R/W | Can be programmed to contain a frequency value for the IMS G191 PLL. |
| 59-5A | | | | RESERVED |
| 5B* | 1D | Miscellaneous control 1 | | Controls a number of IMS G191 functions. |
| 5C-5F | | | | RESERVED |

| G201 Index | G191 Addr. | Register | Read/Write | Description |
|----------------|----------------|---|------------|--|
| 60 61 | 10 11 | Sprite/palette index Lo Sprite index Hi | R/W | These registers are used for specifying the index when reading from the Sprite or the Palette, with subsequent incrementing of the index. |
| 62 63 | 12 13 | Sprite/palette index with prefetch Lo Sprite index with prefetch Hi | R/W | These registers are used for specifying the index when reading from the Sprite or the Palette. |
| 64 | 14 | Palette mask | R/W | The contents of this register are ANDed with each Display Memory Pixel Value and the result is used to index the palette. |
| 65 | 15 | Palette data | R/W | This register contains an image of the currently selected Palette RAM location. |
| 66 | 16 | Palette sequence | R/W | This register contains two fields, one defining which of the R, G or B elements of the currently selected palette location is the current one for the Palette data register, the other defining the sequence to be followed for selecting the R, G and B elements for successive Palette Data Register accesses. |
| 67 68 69 | 17 18 19 | Palette red prefetch Palette green prefetch Palette blue prefetch | R/W | These registers are not used for any normal function but must be saved and subsequently restored by any interrupting code that uses the sprite or palette registers. |
| 6A | 1A | Sprite data | R/W | This register is an image of the currently selected Sprite buffer location. |
| 6B | 1B | Sprite prefetch register | R/W | This register is not used for any normal function but must be saved and subsequently restored by any interrupting code that uses the sprite or palette registers. |
| 6C* | 1E | Miscellaneous control 2 | | Controls blanking of red and blue DACs. |
| 6D-6F | 1F-3F | | | RESERVED |
| 70* | 37 | Clock frequency select 2 | R/W | Used in conjunction with the Clock frequency select 1 register. |
| 71 | | ROM paging | | The contents of this register allow the 8/32K ROM space to be paged. |
| 72-7F | | | | RESERVED |

Note: A * denotes that this register is shared by the IMS G201 and IMS G191.

Table 22.5 Indexed I/O register descriptions

22.7.3 IMS G201 VGA indexed access I/O registers

The IMS G201 contains all the VGA registers (as defined in the 'Video subsystem' section in the *IBM Video Technical Reference*, document number 42G2193), with the exception of those registers or register bits listed below which are in the IMS G191. For a complete list of those VGA registers which reside in the IMS G191 refer to the *IMS G191 XGA serializer palette DAC datasheet*, document number 42 1526 02.

| VGA Address | | IMS G191 VGA Index | Bits not in IMS G201 | Register name |
|-------------|------|-----------------------|-------------------------|--|
| Wr @ | Rd @ | | | |
| 3C0 | 3C1 | N/A | 5 | Attribute address |
| 3C0 | 3C1 | 3C0=0-0F | All bits | Internal palette |
| 3C0 | 3C1 | 3C0=10 | All bits | Attribute mode control |
| 3C0 | 3C1 | 3C0=11 | All bits | Attribute overscan color |
| 3C0 | 3C1 | 3C0=12 | All bits | Attribute color plane enable |
| 3C0 | 3C1 | 3C0=13 | All bits | Attribute horizontal pixel pan |
| 3C0 | 3C1 | 3C0=14 | All bits | Attribute color select |
| 3C2 | 3CC | N/A | 2,3 | Miscellaneous output |
| N/A | 3C2 | N/A | 4 | Input status zero |
| 3C5 | 3C5 | 3C4=00 | All bits | Sequencer reset |
| 3C5 | 3C5 | 3C4=01 | All bits | Sequencer clocking mode |
| 3CF | 3CF | 3CE=05 | 5,6 | Graphics mode |
| 3C6 | 3C6 | N/A | All bits | Palette mask |
| 3C7 | 3C7 | N/A | All bits | Palette pixel address (Rd)/ DAC state |
| 3C8 | 3C8 | N/A | All bits | Palette pixel address (Wr) |
| 3C9 | 3C9 | N/A | All bits | Palette data |

Note: 'All bits' refers to all bits defined in the *IBM PS/2 Hardware Interface Technical Reference*.

22.8 IMS G201 / IMS G191 communication

22.8.1 IMS G191 register accesses

Because the bus interface function is implemented by the IMS G201 display controller, all updates to registers physically resident in the IMS G191 are decoded by the IMS G201 which then updates the IMS G191. Data for these registers is transferred over the **Data0-7** pins; the address being generated by the IMS G201 **VAddr0-6** pins driving IMS G191 **RegAddr0-6**.

Parameter register accesses are timed by the IMS G201 controller clock (**Cik**), which results in a clock period of 50ns (with the controller operating at 40MHz). A parameter register access occurs whenever **notDataStrobe** is active and address bit 6 is '0'.

There are two basic types of accesses between the IMS G201 and IMS G191, fast accesses and slow accesses. Fast accesses are used for parameter register updates to the IMS G191 and slow accesses are used for sprite/palette accesses since extra time is needed to allow the sprite buffer or the palette RAM to be accessed.

22.8.2 Control codes from the IMS G201 to the IMS G191

The address bits on the IMS G201/IMS G191 interface are used at certain times to carry control data from the IMS G201 to the IMS G191. This data is not transferred as a result of bus activity, but during each VRAM transfer cycle, in particular during the transfer cycle at the start of each line. This data mainly consists of information about the line that is about to be displayed. The data is not transferred on the data bus, but on the low-order six bits of the address.

These bits are encoded as shown in Table 22.6 with their usage described in Table 22.7.

| RegAddr0-6 | | | | | | | IMS G191 decoded meaning |
|------------|---|---|---|---|---|---|-------------------------------------|
| 6 | 5 | 4 | 3 | 2 | 1 | 0 | |
| 0 | @ | @ | @ | @ | @ | @ | IMS G191 parameter register address |
| 1 | 0 | N | A | S | U | C | control code |
| 1 | 1 | R | R | R | R | R | control code |

Table 22.6 Encoding of register address bits 0-6

| Symbol | Register address bit usage |
|--------|---|
| @ | Address bits used to address the parameter registers within the IMS G191 |
| N | The 'new font pair' bit. When this bit is '1' it causes a reset of the sprite buffer address register used during alphanumeric font loading. |
| A | The 'active line' bit. This bit is '1' for picture lines, and '0' for border (overscan) lines and for blank (flyback) lines. |
| S | The 'scrollable/border line' bit. When it is '1' during an active line it indicates that the line is scrollable. When it is '1' during a non-active line it indicates that the line is a border line. |
| U | The 'underline/panning sync/sprite line' bit. In an alphanumeric VGA mode it is '1' to indicate that the underline part of a character should be placed on the line. In extended mode it is '1' to indicate that the sprite should be placed on the line. In addition, if this bit is '1' during a non-active line, it causes the horizontal panning sync register to be strobed. |
| R | In VGA mode these bits are character row bits 4:0. In extended mode these bits hold the sprite prefetch row number, indicating in which row the sprite is to be displayed. |
| C | C is bit 5 of the sprite row number. |

Table 22.7 Register address bit usage

22.8.3 Video control

The video control signals (**VideoCtrlOut0-1**) are generated by the IMS G201 from the IMS G191 CRTC clocks and fed back into the IMS G191 via the **VideoCtrlIn0-1** pins. The video control signals are encoded as shown in Table 22.8 to indicate events on a horizontal scan line.

| VideoCtrlOut0-1 | | Video data function |
|------------------------|--------------|-----------------------------|
| Bit 1 | Bit 0 | |
| 0 | 0 | Blanking |
| 0 | 1 | Border |
| 1 | 0 | Picture |
| 1 | 1 | Picture and start of cursor |

Table 22.8 **VideoCtrlOut0-1** decoding

22.9 IMS G201 device configuration

The devices in the XGA chipset can be configured by a combination of auto-configuration and values written to the Programmable Option Select (POS) registers. In addition the local memory resident in the XGA subsystem can be configured by writing values to the memory configuration registers.

22.9.1 Reset and Initialization

On reset and during initialization the IMS G201 performs an auto configuration cycle. This is an automatic procedure which occurs during **Reset**. During this cycle **notDataStrobe1** and **Data27** will pulse low to allow external buffers to decode the auto-configuration values onto the required data lines. This is the only time that both of these pins will pulse low together, see Figure 22.10. Reset timings are given in Section 22.12.9, page 556.

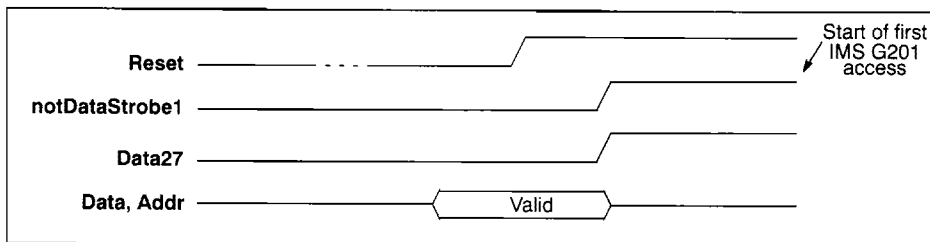


Figure 22.10 Reset sequence

The following pseudo-code describes the initialization process that is executed by the IMS G201 after a reset. This pseudo-code represents the process followed for AT bus and Micro Channel implementations.

```

BEGIN Power On Reset
  Load AutoConfig Registers 1 & 2 from data bus
  IF (Micro Channel)
    Configure interface for Micro Channel
    IF (32 bit interface)
      Configure for 32 bit Micro Channel interface
    ELSE
      Configure for 16 bit Micro Channel interface
    ENDIF
  ELSE
    Configure interface and POS registers for AT bus
    Load POS Registers 102, 103, & 105 from address bus
    IF (Adaptor Implementation)
      Enable Port #96 emulation
    ENDIF
    IF (16 bit interface)
      Configure interface for 16 bits
    ELSE
      Configure interface for 8 bits
      Disallow bus mastership
    ENDIF
  ENDIF
END

```

22.9.2 IMS G201 AT bus configuration

Auto configuration register loading

| G201 Index | Register | Read/Write |
|------------|----------------------|------------|
| 04 | Auto-configuration 1 | Read |
| 05 | Auto-configuration 2 | Read |

The auto-configuration registers 1 and 2 (XGA indexes 4 and 5) are loaded from the IMS G201 data bus during reset. Auto-configuration load data should be gated onto the data bus when **Data27** and **notDataStrobe1** are both low. The following table shows which data bits are loaded into which auto-configuration register fields.

| Data bits | Auto-config register | Definition |
|---------------------|---------------------------|---|
| Data0, Data3 | 1 (index 4) bits 0 & 3 | Data bus size bits 0 & 1 |
| Data1, Data2 | 1 (index 4) bits 1–2 | POS ID bits 0 & 1 |
| Data4 | 1 (index 4) bit 4 | Bus (AT bus or Micro Channel) |
| Data8–10 | 2 (index 5) bits 0–2 | AT bus adaptor number |
| Data12 | 2 (index 5) bit 4 | Motherboard/Adaptor sense bit |
| Data13–15 | 2 (index 5) bits 5–7 | Sense switches (used to read DMA channel selection for AT bus adaptors) |

Auto configuration register 1 (Index: #04)

| | | | | | | | |
|---|---|---|----|-----|--------|-----|---|
| 7 | 6 | 5 | 4 | 3 | 2 | 1 | 0 |
| 0 | 0 | 0 | BF | BS1 | POS ID | BS0 | |

| Bit name | Definition | | | | | | | | | | |
|----------------|---|----------------|--------------------|-----|---------|-----|---------|-----|--------|-----|----------|
| BS0–1 | <p>These bits indicate the physical size of the system data bus.</p> <table border="1"> <thead> <tr> <th>Bus size BS1:0</th> <th>Physical bus width</th> </tr> </thead> <tbody> <tr> <td>0 0</td> <td>16 bits</td> </tr> <tr> <td>0 1</td> <td>32 bits</td> </tr> <tr> <td>1 0</td> <td>8 bits</td> </tr> <tr> <td>1 1</td> <td>Reserved</td> </tr> </tbody> </table> | Bus size BS1:0 | Physical bus width | 0 0 | 16 bits | 0 1 | 32 bits | 1 0 | 8 bits | 1 1 | Reserved |
| Bus size BS1:0 | Physical bus width | | | | | | | | | | |
| 0 0 | 16 bits | | | | | | | | | | |
| 0 1 | 32 bits | | | | | | | | | | |
| 1 0 | 8 bits | | | | | | | | | | |
| 1 1 | Reserved | | | | | | | | | | |
| POS ID | These bits provide the four extensions to the 16 bit POS ID value read from POS 0 and POS 1 when setup mode is enabled. | | | | | | | | | | |
| BF | This bit indicates, for which bus the IMS G201 system interface is configured. A logic 1 indicates AT bus and a 0 indicates Micro Channel. | | | | | | | | | | |

Auto configuration register 2 (Index: #05)

| | | | | | | | |
|----------------|---|---|---|----------------|---|---|---|
| 7 | 6 | 5 | 4 | 3 | 2 | 1 | 0 |
| Sense switches | | P | 0 | Adaptor number | | | |

| Bit name | Definition |
|----------------|---|
| Adaptor number | These bits indicate the AT bus Adaptor number 0–7. |
| P | When this bit is 1 the IMS G201 is implemented on the motherboard. When 0 the device is on an adaptor. |
| Sense switches | These sense switch bits are provided to reflect the state of external card level switches loaded during the AT bus auto configuration cycle. These bits are not used by the IMS G201 but are provided as a service to configuration software. |

IMS G201 AT bus POS registers

XGA software uses programmable options to determine the location of the I/O and coprocessor registers, and the availability of the memory apertures. The registers which hold these options are called the Programmable Option Select registers.

Auto POS registers loading

The IMS G201 supports the automatic loading of POS register information in addition to auto configuration register loading. The auto POS register data is gated onto the address bus when **Data27** and **notDataStrobe1** are both low. The following table shows which address bits are loaded into which POS register fields.

| Address bit | POS register bit locations loaded | Definition |
|-------------|-----------------------------------|------------------------------|
| Addr1–3 | Register #102 bits 1–3 | I/O Device Address |
| Addr6–7 | Register #102 bits 6–7 | External memory address |
| Addr8 | Register #103 bit 0 | Enable 8 bit I/O |
| Addr9 | Register #103 bit 1 | Enable external memory |
| Addr10 | Register #103 bit 2 | Enable 16 bit VGA aperture |
| Addr13–14 | Register #103 bits 5–6 | Pacing control |
| Addr15 | Register #103 bits 5–7 | Preempt control |
| Addr16–19 | Register #105 bits 0–3 | 1M byte aperture address |
| UnLatAddr20 | Register #105 bit 4 | 16 bit coprocessor registers |
| UnLatAddr21 | Register #105 bit 5 | Enable shadow registers |

Adaptor POS control register: (I/O port #96)

| | | | | | | | |
|---|---|---|---|---|----------------|---|---|
| 7 | 6 | 5 | 4 | 3 | 2 | 1 | 0 |
| 0 | 0 | 0 | 0 | S | Adaptor number | | |

| Bit name | Definition |
|----------------|---|
| Adaptor number | These three bits are binary coded slot number values between 0 and 7. |
| S | This is the setup enable bit which is high to enable setup mode and low to disable. |

In AT bus mode the IMS G201 implements I/O port #96 as a write only adaptor setup register. The IMS G201 monitors writes to I/O port #96, comparing the adaptor's setup register bits 0–2, to determine if it is to respond to POS register accesses at I/O ports #0100-#0107.

Adaptor Auxillary POS control registers: (I/O port #0108+adaptor number)

| | | | | | | | |
|---|---|---|---|---|----------------|---|---|
| 7 | 6 | 5 | 4 | 3 | 2 | 1 | 0 |
| 0 | 0 | 0 | 0 | S | Adaptor number | | |

| Bit name | Definition | | | | | | | | | | | | | | | | | | |
|----------------|--|----------------|-----------------------|---|---------------------------|---|---------------------------|---|---------------------------|---|---------------------------|---|---------------------------|---|---------------------------|---|---------------------------|---|---------------------------|
| Adaptor number | <p>These three bits are binary coded slot number values between 0 and 7.</p> <table border="1"> <thead> <tr> <th>Adaptor number</th> <th>Read and write access</th> </tr> </thead> <tbody> <tr> <td>0</td> <td>Read/write I/O port #0108</td> </tr> <tr> <td>1</td> <td>Read/write I/O port #0109</td> </tr> <tr> <td>2</td> <td>Read/write I/O port #010A</td> </tr> <tr> <td>3</td> <td>Read/write I/O port #010B</td> </tr> <tr> <td>4</td> <td>Read/write I/O port #010C</td> </tr> <tr> <td>5</td> <td>Read/write I/O port #010D</td> </tr> <tr> <td>6</td> <td>Read/write I/O port #010E</td> </tr> <tr> <td>7</td> <td>Read/write I/O port #010F</td> </tr> </tbody> </table> | Adaptor number | Read and write access | 0 | Read/write I/O port #0108 | 1 | Read/write I/O port #0109 | 2 | Read/write I/O port #010A | 3 | Read/write I/O port #010B | 4 | Read/write I/O port #010C | 5 | Read/write I/O port #010D | 6 | Read/write I/O port #010E | 7 | Read/write I/O port #010F |
| Adaptor number | Read and write access | | | | | | | | | | | | | | | | | | |
| 0 | Read/write I/O port #0108 | | | | | | | | | | | | | | | | | | |
| 1 | Read/write I/O port #0109 | | | | | | | | | | | | | | | | | | |
| 2 | Read/write I/O port #010A | | | | | | | | | | | | | | | | | | |
| 3 | Read/write I/O port #010B | | | | | | | | | | | | | | | | | | |
| 4 | Read/write I/O port #010C | | | | | | | | | | | | | | | | | | |
| 5 | Read/write I/O port #010D | | | | | | | | | | | | | | | | | | |
| 6 | Read/write I/O port #010E | | | | | | | | | | | | | | | | | | |
| 7 | Read/write I/O port #010F | | | | | | | | | | | | | | | | | | |
| S | This is the setup enable bit which is high to enable setup mode and low to disable. | | | | | | | | | | | | | | | | | | |

To provide read and write access to the POS control registers the IMS G201 additionally decodes I/O addresses #0108-#010F. One address for each of the eight possible card numbers then allows 'card exclusive' read and write POS register access via the mirrored port at #96.

The following section describes the IMS G201 POS register bit allocations in AT bus mode. The setup mode is enabled when the unique card number sampled during the auto configuration cycle is compared to the adaptor's setup register bits 0-2 in the I/O ports at either #96 or (#0108+card number) and bit 3 is written to logic 1.

POS Register 0: (Setup mode enabled and I/O address #0100)

| | | | | | | | |
|---|---|---|---|---|---|-----------|---|
| 7 | 6 | 5 | 4 | 3 | 2 | 1 | 0 |
| 1 | 1 | 0 | 1 | 1 | 0 | ID option | |

This read only register provides the XGA POS identification low byte, returning the value #DB + ID option.

POS Register 1: (Setup mode enabled and I/O address #0101)

This read only register provides the XGA POS identification high byte. The value returned is #8F.

POS Register 2: (Setup mode enabled and I/O address #0102)

7 6 5 4 3 2 1 0

| | | |
|----------------------|------|-----------|
| External Memory Addr | IODA | XGA En |
|----------------------|------|-----------|

| Bit name | Definition |
|---------------------------|---|
| XGA En (XGA Enable) | When set to 1 identifies that the subsystem is enabled for address decoding for all non POS addresses. When 0, only POS registers can be accessed, all other accesses to the subsystem have no effect. |
| IODA (I/O Device Address) | This field specifies which set of I/O addresses has been allocated to the IMS G201 registers, i.e. the instance number (refer to Figure 22.7, page 490). |
| External Memory Address | These four bits control the addressing of the G201 external memory decode. Only bits 6 and 7 are used. They specify which of four possible 32 Kbyte memory blocks has been assigned to the XGA external memory. The external memory occupies the first 31 Kbytes of this 32 Kbytes block, the other 1 Kbyte being occupied by the coprocessor memory-mapped registers, up to 8 instances each occupying 128 bytes (see Figure 22.8, page 491). Bits 4 and 5 are forced to '11'b to ensure that applications and drivers correctly locate the coprocessor registers in the top 1 Kbytes of the upper 8 Kbytes of the 32 Kbyte ROM space. |

POS Register 3: (Setup mode enabled and I/O address #0103)

| | | | | | | | |
|-------------|-------------------|----------------|--------------|----------|-------------|---|---|
| 7 | 6 | 5 | 4 | 3 | 2 | 1 | 0 |
| Pre empt | Pacing Control | DMA channel | 16bit VGA | EM En | 8bit I/O | | |

| Bit name | Definition | | | | | | | | | | | | | | | |
|------------------------|--|------------------------------|--|------------------------------|---|---|--------|---|---|---------------|---|---|---------------|---|---|---------------|
| 8bit I/O enable | When this bit is 1, all G201 I/O operations are 8 bit. When 1 all I/O operations are 16 bit. This provides a solution for timing problems with 16 bit I/O that exist in systems such as the IBM Model 30-286. It also allows systems that have a conflict with VGA register 3C3h to be programmed to 8 bit I/O thus avoiding the problem caused by device drivers that write to this reserved register. | | | | | | | | | | | | | | | |
| EM | External Memory is enabled for address decoding when this bit is 1. When set to 0 external memory decoding is disabled. In a multiple instance XGA system in the AT-bus environment one adaptor must be defined as the <i>primary adaptor</i> . Only the primary adaptor will have it's Video BIOS ROM enabled, with all other adaptors in the system being serviced from the primary. | | | | | | | | | | | | | | | |
| 16bit VGA memory block | When this bit location is 1 the IMS G201 will respond as a 16 bit memory device for any memory access within the 0A0000-0BFFFF video memory block, regardless of the actual video buffer size. The AT bus specification requires that the -MEMCS16 signal be a decode of the unlatched address signals LA17-LA23, which limits the granularity of this signal to 128Kbytes. To disable 16bit memory cycles this bit must be written to 0. | | | | | | | | | | | | | | | |
| DMA channel | These bits define up to three AT bus DMA channels and a no-DMA condition as described below. The IMS G201 will power up in the no-DMA condition. If the IMS G201 based XGA subsystem is plugged into an 8 bit slot, then these bits are read only and bus mastership is disabled. <table border="1" style="margin-left: auto; margin-right: auto;"> <thead> <tr> <th colspan="2">DMA channel bits</th> <th>DMA assignment</th> </tr> </thead> <tbody> <tr> <td>0</td> <td>0</td> <td>No DMA</td> </tr> <tr> <td>0</td> <td>1</td> <td>DMA channel 5</td> </tr> <tr> <td>1</td> <td>0</td> <td>DMA channel 6</td> </tr> <tr> <td>1</td> <td>1</td> <td>DMA channel 7</td> </tr> </tbody> </table> | DMA channel bits | | DMA assignment | 0 | 0 | No DMA | 0 | 1 | DMA channel 5 | 1 | 0 | DMA channel 6 | 1 | 1 | DMA channel 7 |
| DMA channel bits | | DMA assignment | | | | | | | | | | | | | | |
| 0 | 0 | No DMA | | | | | | | | | | | | | | |
| 0 | 1 | DMA channel 5 | | | | | | | | | | | | | | |
| 1 | 0 | DMA channel 6 | | | | | | | | | | | | | | |
| 1 | 1 | DMA channel 7 | | | | | | | | | | | | | | |
| Pacing control | These bits define how much time alternate bus masters and DMA devices are allowed to use within a 100µs period. The intent of the pacing control is to guarantee a minimum amount of CPU performance. <table border="1" style="margin-left: auto; margin-right: auto;"> <thead> <tr> <th colspan="2">Pacing control bits</th> <th>Maximum master/DMA time (µs)</th> </tr> </thead> <tbody> <tr> <td>0</td> <td>0</td> <td>50</td> </tr> <tr> <td>0</td> <td>1</td> <td>70</td> </tr> <tr> <td>1</td> <td>0</td> <td>82</td> </tr> <tr> <td>1</td> <td>1</td> <td>90</td> </tr> </tbody> </table> | Pacing control bits | | Maximum master/DMA time (µs) | 0 | 0 | 50 | 0 | 1 | 70 | 1 | 0 | 82 | 1 | 1 | 90 |
| Pacing control bits | | Maximum master/DMA time (µs) | | | | | | | | | | | | | | |
| 0 | 0 | 50 | | | | | | | | | | | | | | |
| 0 | 1 | 70 | | | | | | | | | | | | | | |
| 1 | 0 | 82 | | | | | | | | | | | | | | |
| 1 | 1 | 90 | | | | | | | | | | | | | | |
| Preempt control | This bit determines how long the IMS G201 will hold the bus after it detects a preempt condition. When the bit is 0 the IMS G201 will get off the bus when the current cycle has completed. When the bit is 1, it will wait 4µs before getting off. | | | | | | | | | | | | | | | |

POS Register 4: (Setup mode enabled and I/O address #0104 for AT bus Adaptor)

| | | | | | | | |
|-------------------|---|---|---|---|---|---|----|
| 7 | 6 | 5 | 4 | 3 | 2 | 1 | 0 |
| Video Memory Base | | | | | | | VE |

| Bit name | Definition |
|-----------------------------|--|
| VE (Video memory enable) | This bit signifies whether the 4Mbyte aperture is available for use. In the AT-bus environment this bit is always set to 0. |
| Video Memory Base Address | This register contains the most significant 7 bits of the address at which the XGA external memory is located. Three more bits are provided by the I/O Device Address in POS register 2. This gives a Video Memory Base address on a 4Mbyte boundary above 32 Mbytes. This field powers up to '0000001'b in the AT bus mode. |

POS Register 5: (Setup mode enabled and I/O address #0105)

| | | | | | | | |
|---|---|--------|------------|-------------|---|---|---|
| 7 | 6 | 5 | 4 | 3 | 2 | 1 | 0 |
| 0 | 0 | Reg En | 16bit copr | 1Mbyte Base | | | |

| Bit name | Definition |
|-----------------------------|---|
| 1Mbyte Base | This field specifies where the 1Mbyte aperture has been positioned in the system address space, in increments of Mbytes. A '0000'b in the field will disable the aperture. A '1111'b in this field will also disable the aperture to avoid collisions with the system ROM residing in the last 128 Kbytes of the aperture at #F00000-#FFFFFF. |
| 16bit Coprocessor Registers | This bit configures the G201 for 8 bit or 16 bit memory operations to the memory-mapped Coprocessor registers and the ROM address space. A 1 selects 16 bit memory and 0 selects 8 bit memory. This bit should be set to 0 if there are 8 bit ROMs located in the 128K adaptor ROM area. |
| Enable shadow registers | When set to 1 this bit will enable the Coprocessor shadow registers. |

22.9.3 IMS G201 Micro Channel configuration

Auto configuration registers

| G201 Index | G191 Addr. | Register | Read/Write |
|------------|------------|----------------------|------------|
| 04 | | Auto-configuration 1 | Read |
| 05 | | Auto-configuration 2 | |

The auto-configuration registers 1 and 2 (XGA CRTIC indexes 4 and 5) are loaded from the IMS G201 data bus during a reset. Auto-configuration load data should be gated onto the data bus when **Data27** and **not-DataStrobe1** are both low. The following table shows which data bits are loaded into which Auto-Config register fields. The Auto-Config Registers are described in the XGA native registers section of this document.

| Data bits | Auto-config register | Definition |
|---------------------|---------------------------|---|
| Data0, Data3 | 1 (index 4) bits 0 & 3 | Data bus size bits 0 & 1 |
| Data1, Data2 | 1 (index 4) bits 1–2 | POS ID bits 0 & 1 |
| Data4 | 1 (index 4) bit 4 | Bus (AT bus or Micro Channel) |
| Data8–10 | 2 (index 5) bits 0–2 | AT bus adaptor number |
| Data12 | 2 (index 5) bit 4 | Motherboard/Adaptor sense bit |
| Data13–15 | 2 (index 5) bits 5–7 | Sense switches (used to read DMA channel selection for AT bus adaptors) |

Auto configuration register 1 (Index: #04)

| | | | | | | | |
|---|---|---|----|-----|--------|-----|---|
| 7 | 6 | 5 | 4 | 3 | 2 | 1 | 0 |
| 0 | 0 | 0 | BF | BS1 | POS ID | BS0 | |

| Bit name | Definition | | | | | | | | | | | | | | | |
|----------------|--|--------------------|--|--------------------|---|---|---------|---|---|---------|---|---|--------|---|---|----------|
| BS0–1 | These bits indicate the physical size of the system data bus. <table border="1" data-bbox="350 1219 893 1342"> <thead> <tr> <th colspan="2">Bus size BS1:0</th> <th>Physical bus width</th> </tr> </thead> <tbody> <tr> <td>0</td> <td>0</td> <td>16 bits</td> </tr> <tr> <td>0</td> <td>1</td> <td>32 bits</td> </tr> <tr> <td>1</td> <td>0</td> <td>8 bits</td> </tr> <tr> <td>1</td> <td>1</td> <td>Reserved</td> </tr> </tbody> </table> | Bus size BS1:0 | | Physical bus width | 0 | 0 | 16 bits | 0 | 1 | 32 bits | 1 | 0 | 8 bits | 1 | 1 | Reserved |
| Bus size BS1:0 | | Physical bus width | | | | | | | | | | | | | | |
| 0 | 0 | 16 bits | | | | | | | | | | | | | | |
| 0 | 1 | 32 bits | | | | | | | | | | | | | | |
| 1 | 0 | 8 bits | | | | | | | | | | | | | | |
| 1 | 1 | Reserved | | | | | | | | | | | | | | |
| POS ID | These bits provide the four extensions to the 16 bit POS ID value read from POS 0 and POS 1 when setup mode is enabled. | | | | | | | | | | | | | | | |
| BF | This bit indicates, for which bus the IMS G201 system interface is configured. A logic 1 indicates AT bus and a 0 indicates Micro Channel. | | | | | | | | | | | | | | | |

Auto configuration register 2 (Index: #05)

| | | | | | | | |
|----------------|---|---|---|---|---|---|---|
| 7 | 6 | 5 | 4 | 3 | 2 | 1 | 0 |
| Sense switches | | P | 0 | 0 | 0 | 0 | 0 |

| Bit name | Definition |
|----------------|--|
| P | When this bit is 1 the IMS G201 is implemented on the motherboard. When 0 the device is on an adaptor. |
| Sense switches | These sense switch bits are provided to reflect the state of external card level switches loaded during the Micro Channel auto configuration cycle. These bits are not used by the IMS G201 but are provided as a service to configuration software. |

IMS G201 Micro Channel POS registers

XGA software uses programmable options to determine the location of the I/O and coprocessor registers, and the availability of the memory apertures. The registers which hold these options are called the Programmable Option Select registers.

All Micro Channel compatible adaptors are configured by programming each card's configuration I/O locations at power on, in the power-on self-test (POST) sequence. In order to implement this programmable configuration, I/O addresses #0100–#0107 are defined as the Programmable Option Select (POS) registers which are accessible when the **notSetup** pin on the IMS G201 is active during an I/O cycle. The POS register address is specified on **Addr0–2**; **Addr3–15** are ignored. This requires that the external device (eg. the motherboard) performs a high level decode on I/O address signals **Addr3–15** and drives **notSetup** low only for valid POS addresses.

In Micro Channel systems I/O port #96 controls the **notSetup** signal for each card slot. Only one card can be in setup mode at any one time, and then only for an I/O access to addresses #0100–#0107.

Adaptor setup: (I/O port #96)

| | | | | | | | |
|---|---|---|---|---|-------------|---|---|
| 7 | 6 | 5 | 4 | 3 | 2 | 1 | 0 |
| R | 0 | 0 | 0 | S | Slot number | | |

| Bit name | Definition |
|-------------|--|
| Slot number | These three bits are binary coded slot number values between 0 and 7. |
| S | This is the setup enable bit which is high to enable setup mode and low to disable. |
| R | This is the channel reset bit which asserts the IMS G201 Reset signal when high. When high this signal applies reset to all Micro Channel adaptor cards. This bit must be low to communicate the adaptor's POS registers. |

POS Register 0: (notSetup and Address0-2 = '000'b)

| | | | | | | | |
|---|---|---|---|---|---|----------|---|
| 7 | 6 | 5 | 4 | 3 | 2 | 1 | 0 |
| 1 | 1 | 0 | 1 | 1 | 0 | IDoption | |

This read only register provides the XGA POS identification low byte, returning the value #DB + IDoption.

POS Register 1: (notSetup and Address0-2 = '001'b)

This read only register provides the XGA POS identification high byte. The value returned is #8F.

POS Register 2: (notSetup and Address0-2= '010'b)

7 6 5 4 3 2 1 0

| | | |
|----------------------|------|----|
| External Memory Addr | IODA | EN |
|----------------------|------|----|

| Bit name | Definition |
|---------------------------|---|
| XGA Enable (EN) | When set to 1 identifies that the subsystem is enabled for address decoding for all non POS addresses. When 0, only POS registers can be accessed, all other accesses to the subsystem have no effect. |
| I/O Device Address (IODA) | This field specifies which set of I/O addresses has been allocated to the IMS G201 registers, i.e. the instance number (refer to Figure 22.7, page 490). |
| External Memory Address | This field specifies which of sixteen possible 8 Kbytes memory locations has been assigned to the XGA external memory. The external memory occupies the first 7 Kbytes of this 8 Kbytes block, the other 1 Kbyte being occupied by the coprocessor memory-mapped registers (see Figure 22.9, page 491). |

POS Register 3: (notSetup and Address0-2= '011'b)

7 6 5 4 3 2 1 0

| | | | | |
|-----|-------------------|----|----|-----|
| AV1 | Arbitration Level | FE | EM | AV0 |
|-----|-------------------|----|----|-----|

| Bit name | Definition | | | | | | | | | | |
|-------------------|--|--------------|---------------------|----|---|----|---|----|---|----|----------|
| EM | External Memory Enable 0 = External Memory Address Decoding Disabled. (See POS Register 2 bits 4-7) 1 = External Memory Address Decoding Enabled. (See POS Register 2 bits 4-7) | | | | | | | | | | |
| FE | Fairness Enable 0 = Micro Channel Fairness Protocol Disabled. 1 = Micro Channel Fairness Protocol Enabled. | | | | | | | | | | |
| Arbitration Level | This 4 bit field is loaded with the 4 bit priority level to be used during Bus Master arbitration. | | | | | | | | | | |
| Avarice | These bits control how the IMS G201 gives up bus ownership of the Micro Channel. <table border="1" style="margin-left: 40px;"> <thead> <tr> <th>Bits AV1:AV0</th> <th>Bus release control</th> </tr> </thead> <tbody> <tr> <td>00</td> <td>Release the bus when access is not required</td> </tr> <tr> <td>01</td> <td>Release the bus immediately when preempted if access is not required, otherwise release within 7.8µs.</td> </tr> <tr> <td>10</td> <td>Release the bus within 7.8µs when preempted</td> </tr> <tr> <td>11</td> <td>Reserved</td> </tr> </tbody> </table> | Bits AV1:AV0 | Bus release control | 00 | Release the bus when access is not required | 01 | Release the bus immediately when preempted if access is not required, otherwise release within 7.8µs. | 10 | Release the bus within 7.8µs when preempted | 11 | Reserved |
| Bits AV1:AV0 | Bus release control | | | | | | | | | | |
| 00 | Release the bus when access is not required | | | | | | | | | | |
| 01 | Release the bus immediately when preempted if access is not required, otherwise release within 7.8µs. | | | | | | | | | | |
| 10 | Release the bus within 7.8µs when preempted | | | | | | | | | | |
| 11 | Reserved | | | | | | | | | | |

POS Register 4: (notSetup and Address0-2= '100'b)

| | | | | | | | |
|-------------------|---|---|---|---|---|---|----|
| 7 | 6 | 5 | 4 | 3 | 2 | 1 | 0 |
| Video Memory Base | | | | | | | VE |

| Bit name | Definition |
|---------------------------|---|
| Video Memory Base Address | This register contains the most significant 7 bits of the address at which the XGA external memory is located. Three more bits are provided by the I/O Device Address in POS byte 1. This gives a Video Memory Base address on a 4Mbyte boundary. |
| Video Memory Enable (VE) | This bit signifies whether the 4Mbyte aperture is available for use. When this bit is set to 0 the 4Mbyte Aperture is disabled, and when set to 1 the 4Mbyte Aperture is enabled. |

POS Register 5: (notSetup and Address0-2 = '101'b)

| | | | | | | | |
|---|---|-----|----|-------------|---|---|---|
| 7 | 6 | 5 | 4 | 3 | 2 | 1 | 0 |
| 1 | 1 | Etq | SD | 1Mbyte Base | | | |

| Bit name | Definition |
|-------------|---|
| 1Mbyte Base | This field specifies where the 1Mbyte Aperture has been positioned in system address space in increments of Mbytes. A 0 in the field will disable the aperture. |
| SD | When set to 1 this bit will disable Streaming Data transfers on the Micro Channel. When set to 0 Streaming Data transfers are enabled. |
| Etiquette | When this bit is set to 1 the IMS G201 will obey the Micro Channel rules of Etiquette for bus masters. When this bit is 0 the IMS G201 does not follow the Etiquette rules. |

22.9.4 Memory configuration registers

| G201 Index | G191 Addr. | Register | Read/Write |
|------------|------------|------------------------|------------|
| 00 | 01 | Memory configuration 0 | Read/Write |
| 01 | | Memory configuration 1 | |
| 02 | | Memory configuration 2 | |

The memory configuration registers (index 00, 01 and 02) should not be used or relied upon in any application software. They are card design specific and are used to configure the chip and will vary depending on the amount and type of VRAM used.

All bits marked '-' are reserved and must be masked out on reads and written to 0 (low) on writes unless otherwise specified.

Memory configuration 0 register (Index: #00)

The memory configuration register 0 sets the video memory port width.

| | | | | | | | |
|---|---|---|---|----|---|----|---|
| 7 | 6 | 5 | 4 | 3 | 2 | 1 | 0 |
| - | - | - | - | SW | - | PW | |

| Bit field | Definition | | | | | | | | | | | | | | | |
|---------------|--|-------------------|-------------------|-------------------|----|--------|---------|----|---------|---------|----|---------|---------|----|---------|---------|
| PW (bits 1:0) | Serializer Physical Width. This field determines the width of the VRAM SAM that is actually being used. The encoding is as follows: <table border="1" style="margin: 10px auto;"> <thead> <tr> <th>Bits 1:0</th> <th>32 bit Serializer</th> <th>64 bit Serializer</th> </tr> </thead> <tbody> <tr> <td>00</td> <td>8 bits</td> <td>16 bits</td> </tr> <tr> <td>01</td> <td>16 bits</td> <td>32 bits</td> </tr> <tr> <td>10</td> <td>32 bits</td> <td>64 bits</td> </tr> <tr> <td>11</td> <td>Invalid</td> <td>Invalid</td> </tr> </tbody> </table> | Bits 1:0 | 32 bit Serializer | 64 bit Serializer | 00 | 8 bits | 16 bits | 01 | 16 bits | 32 bits | 10 | 32 bits | 64 bits | 11 | Invalid | Invalid |
| Bits 1:0 | 32 bit Serializer | 64 bit Serializer | | | | | | | | | | | | | | |
| 00 | 8 bits | 16 bits | | | | | | | | | | | | | | |
| 01 | 16 bits | 32 bits | | | | | | | | | | | | | | |
| 10 | 32 bits | 64 bits | | | | | | | | | | | | | | |
| 11 | Invalid | Invalid | | | | | | | | | | | | | | |
| SW (bit 3) | Serializer Width. This bit indicates how wide the serializer in the IMS G191 is. A 0 indicates a 32 bit serializer, and a 1 indicates a 64 bit serializer. | | | | | | | | | | | | | | | |

Memory parameter register (Index: #01)

| | | | | | | | |
|---|---|---|---|---|-----|-----|-----|
| 7 | 6 | 5 | 4 | 3 | 2 | 1 | 0 |
| - | - | - | - | - | TRF | TRC | TPC |

| Bit field | Definition |
|-------------|--|
| TPC (bit 0) | Page Mode Cycle Time. A 1 extends CAS fall to the next CAS fall from 100ns to 150ns. |
| TRC (bit 1) | Random Cycle Time. A 1 extends RAS fall to the next RAS fall from 250ns to 300ns. If both TPC and TRC are set to 1 the RAS-RAS time is 350ns). |
| TRF (bit 2) | Extended Refresh. A 1 extends the time that RAS/CAS are active during a refresh cycle from 100ns to 150ns. |

Memory parameter register (Index: #02)

| | | | | | | | |
|---|---|---|---|----|---|---|---|
| 7 | 6 | 5 | 4 | 3 | 2 | 1 | 0 |
| - | - | - | - | SL | - | - | - |

| Bit field | Definition |
|------------|--|
| SL (bit 3) | Serializer Length. 0 sets the configuration for a 256 bit serializer. 1 sets the configuration for a 512 bit serializer. |

22.10 Hardware interfaces

The IMS G201 display controller interfaces to several other components in an XGA subsystem. These include: the system bus (either an AT bus or a Micro Channel bus); the IMS G191 serializer palette DAC; VRAM; ROM and external registers.

22.10.1 System bus interface

System bus interface for AT bus mode

The system bus interface in AT bus mode, consists of an address bus allowing access to a 16 Mbyte address space, a 16 bit data bus, and control signals to interface directly to AT and ISA bus systems. The IMS G201 supports both slave and master memory cycles on the AT bus. Slave cycles can be 8 or 16 bits depending upon the values written to the POS registers. 16 bit slave memory cycles are always supported when using the 1M aperture, since this aperture must be above the first 1M in the PC's address space. When the coprocessor requires the use of system memory, bus mastership is utilized using one of three 16-bit DMA resources. The IMS G201 as AT bus master controls the bus and supplies addresses for the required 16 bit bus cycles. Figure 22.13 shows the IMS G201 signals used to interface with the AT bus.

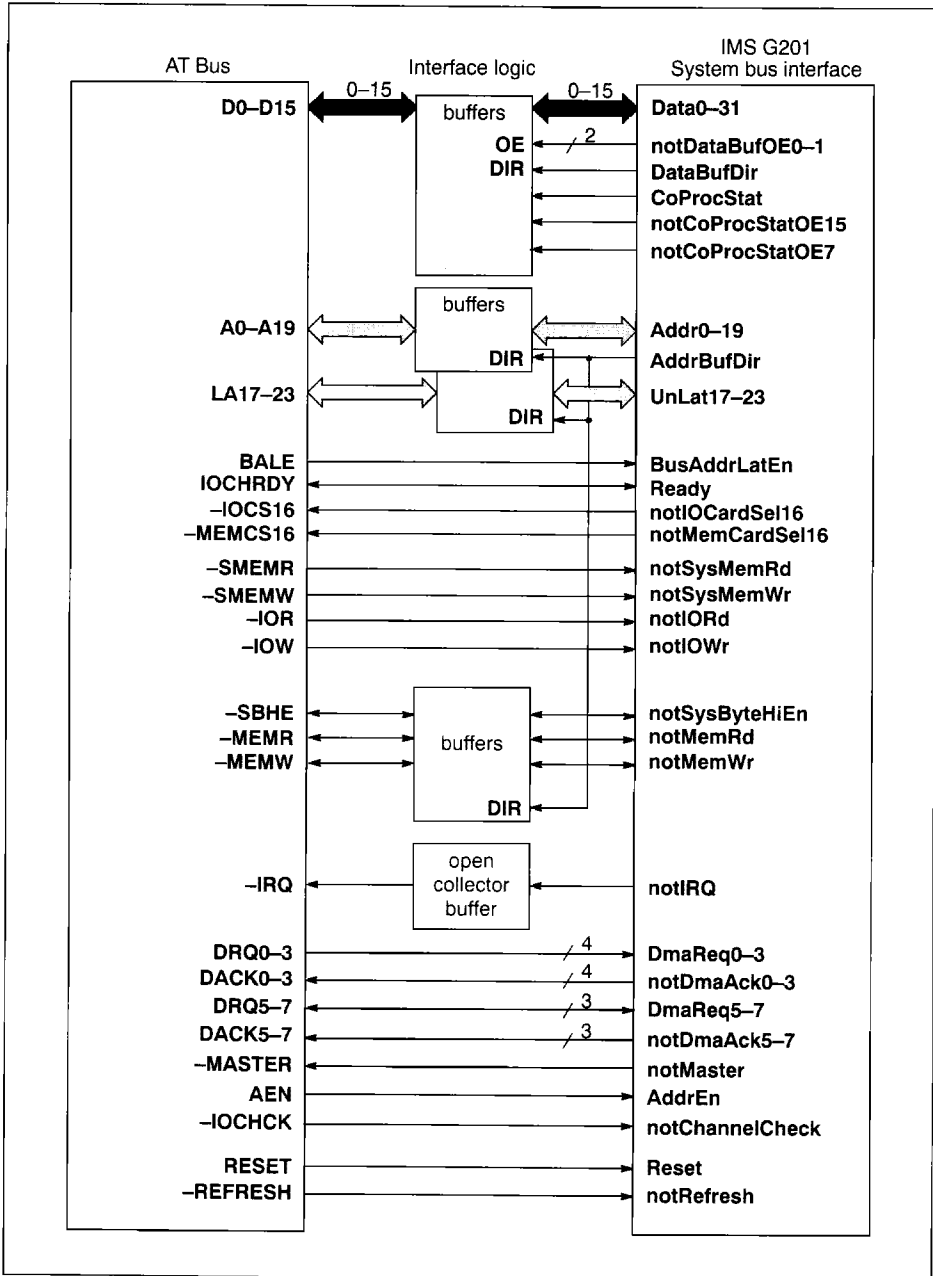


Figure 22.11 IMS G201 system bus interface (AT bus mode)

System bus interface for Micro Channel bus mode

The system bus interface consists of the address, data, and controls defined in the Micro Channel specification. When the coprocessor is being used in system memory, bus mastership is utilized. A bus master controls the bus and supplies addresses for the bus cycles. Either 16 or 32 bit channels are supported. Figure 22.13 shows the IMS G201 signals used to interface with the Micro Channel bus.

The IMS G201 can act either as Master or Slave with either a 16 or 32-bit interface depending on the card configuration. Micro Channel streaming data operation is supported when the IMS G201 is bus master only.

The Micro Channel architecture defines an arbitration procedure through which all prospective bus masters go. The outcome of this arbitration procedure is that one card is granted bus mastership status. This card then controls all cycles on the bus, providing addresses for each cycle or burst of cycles until another card becomes the bus master.

Provision is made within the Micro Channel specification for a slave to extend a cycle when being asked to supply data by using the ready signal.

The IMS G201, in particular, always uses this Channel Ready signal (**CD CHRDY**) in order to force an extended cycle when in slave mode.

Certain signals in the Micro Channel definition must be driven by an open collector device. The arbitration (ARB) signals are an example. The IMS G201 display controller splits these into two signals, an input (**ArbIn**) and an output (**ArbOut**). Figure 22.12 shows how a typical open collector Micro Channel signal would be buffered. The Micro Channel ARB signal is driven by a three-state buffer whose enable is driven by **ArbOut**. Refer to the IBM Micro Channel specification for further details.

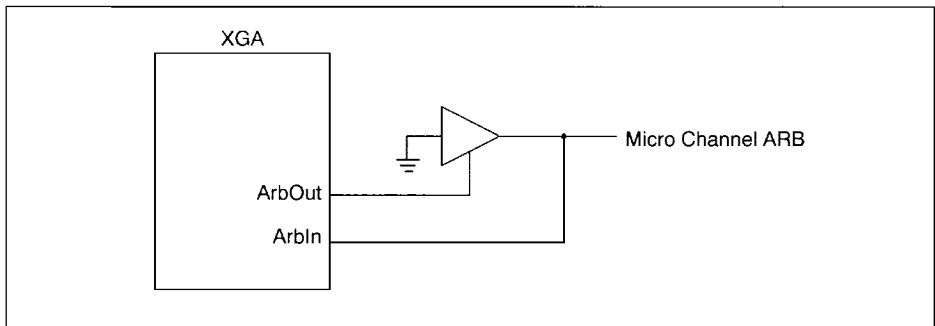


Figure 22.12 External buffer for Micro Channel signals requiring open collector drivers

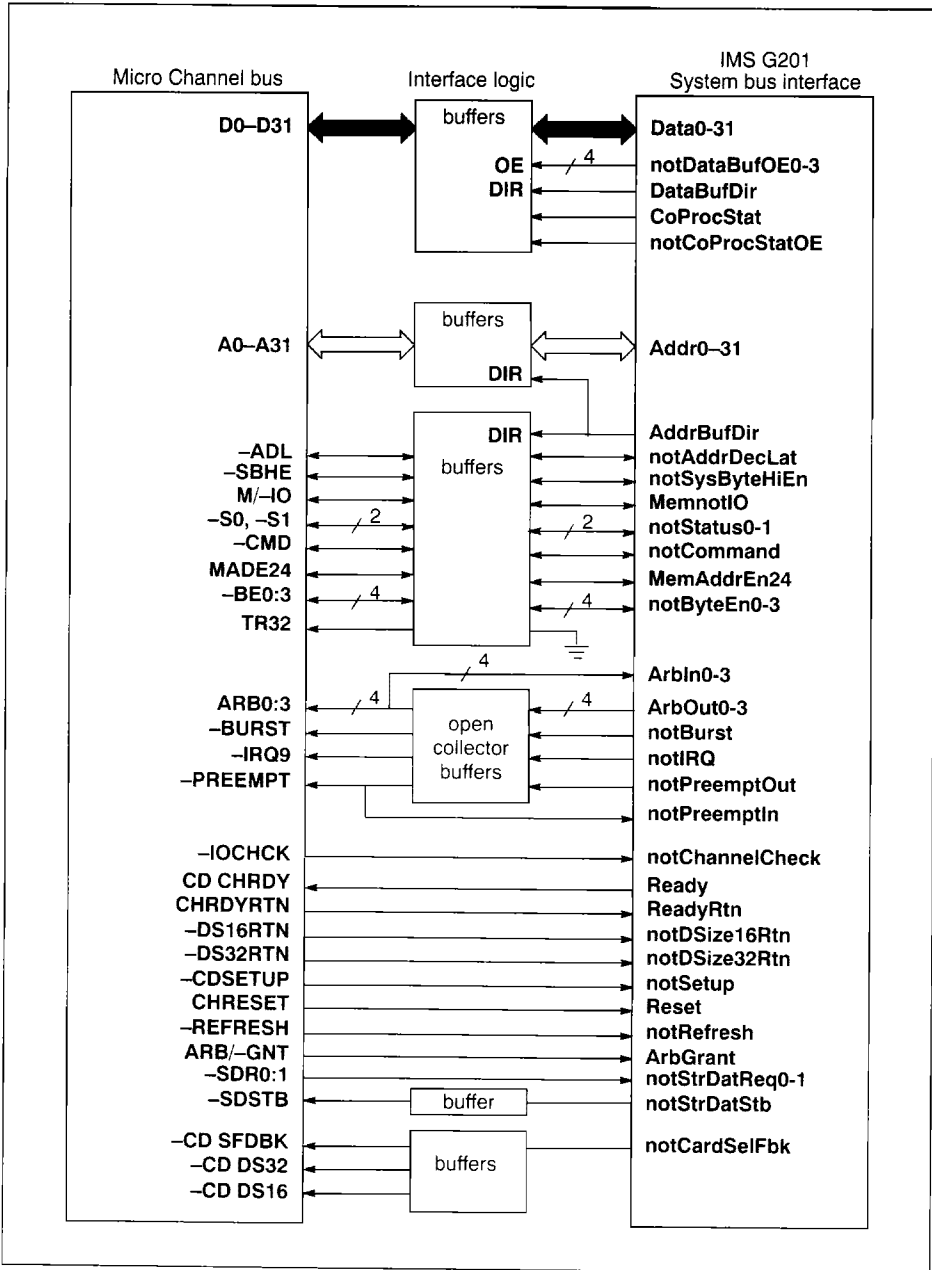


Figure 22.13 IMS G201 system bus interface (Micro Channel bus mode)

22.10.2 VRAM interface

The IMS G201 display controller controls all operations to the VRAM. On the random port, refresh cycles, serializer transfer cycles, system read/write, and coprocessor read/write cycles are performed. On the serial port, the serializer shift clock is provided. The IMS G201 display controller can support VRAM widths of either 16 or 32 bits.

The data bus (**Data0-31**) is shared by the VRAM and the system bus. Isolation buffers are required to allow this dual use. The VRAM data is also used to communicate with the IMS G191 serializer palette DAC, external registers and ROM.

All control signals for the VRAM are generated in the IMS G201 display controller. This includes **notVRAS0-1**, **notVCAS0-1**, **notVOE**, **notVWE0-3** and **VSClk**.

Figure 22.14 shows the connections between the VRAM controller of the IMS G201 and the external VRAM.

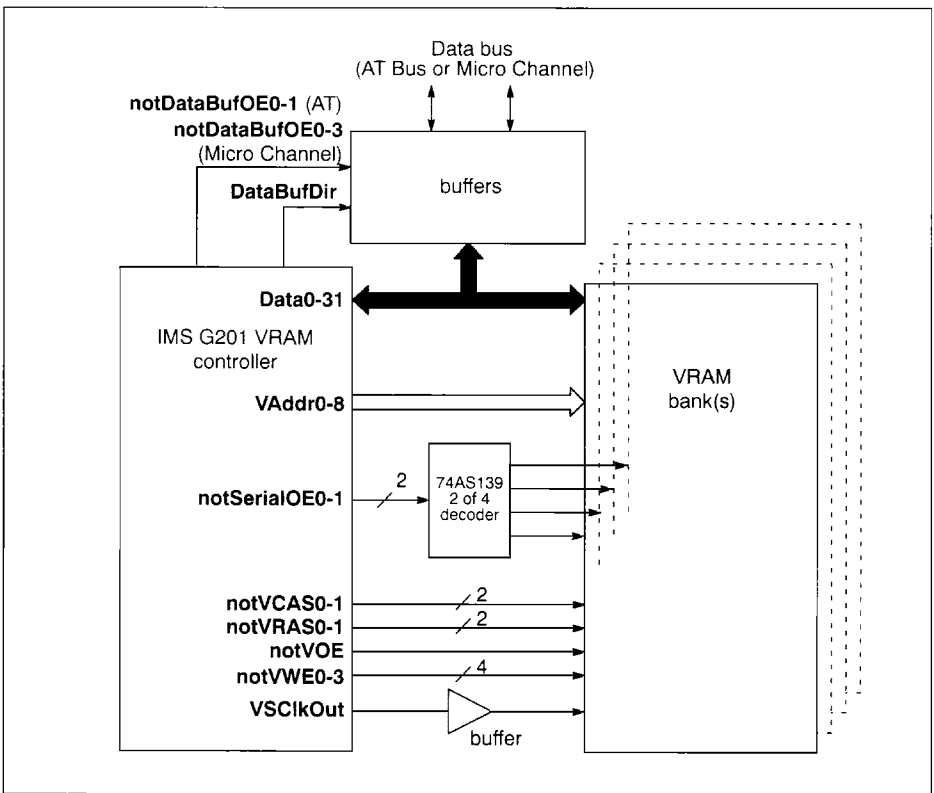


Figure 22.14 IMS G201 VRAM interconnection

VRAM Transfer Cycles

Transfer cycles are generated at the start of every line and every time the VRAM serializer becomes empty. Depending on the screen width and where the VRAM base address was assigned, two transfer cycles are generated at the start of some lines if the serializer becomes empty just after the start of a line.

Support for multiple VRAM banks

The IMS G201 now supports up to 4 Mbytes of VRAM consisting of devices using nine row and nine column address lines. The VRAM internal architecture must consist of a number of 512×512 (256 Kbytes) memory arrays, typically $256K \times 4$, since the IMS G201 supports a 9-bit multiplexed VRAM address bus. Care should be taken not to exceed the IMS G201 pin output loading characteristics, given in Section 22.13.3, when connecting multiple VRAM devices.

The IMS G201 framestore manager supports up to four banks of VRAM populating the full 32-bit data and pixel path using **notVRAS0**, **notVRAS1**, **notVCAS0** and **notVCAS1** (pins formerly assigned as **notVRAS**, **N/C**, **notVCAS** and **N/C**). The four VRAM banks are configured using these strobes as follows:

| Bank 0 | Bank 1 | Bank 2 | Bank 3 |
|----------|----------|----------|----------|
| notVRAS0 | notVRAS0 | notVRAS1 | notVRAS1 |
| notVCAS0 | notVCAS1 | notVCAS0 | notVCAS1 |

The VRAM column and row address strobes are coded as shown in Table 22.9. The column address coding allows any bank in the XGA subsystem to be uniquely accessed (**notVCAS0-1 - H**, **notVRAS0-1 - H**) whilst the second row addressed bank (**notVCAS0-1 - L**, **notVRAS0-1 - H**) is refreshed at the row address presented.

| VRAM bank | notVRAS0 | notVRAS1 | notVCAS0 | notVCAS1 |
|-----------|----------|----------|----------|----------|
| 0 | L | H | L | H |
| 1 | L | H | H | L |
| 2 | H | L | L | H |
| 3 | H | L | H | L |

Table 22.9 Coding of VRAM column and row address strobes

In addition to supporting multiple banks on the random access port the IMS G201 provides coded serial output enable strobes (**notSerialOE0-1**) to multiplex pixel data from any one of four VRAM serial ports. Typically, an external decoder with inverting outputs ($1/2$ of 74AC139) is used to perform the serial output enable function of the required VRAM banks as defined in Table 22.10.

| notSerialOE0 | notSerialOE1 | Bank selected |
|--------------|--------------|---------------|
| 0 | 0 | 0 |
| 0 | 1 | 1 |
| 1 | 1 | 2 |
| 1 | 0 | 3 |

Table 22.10 Coding of VRAM serial output enable strobes

22.10.3 IMS G191 serializer palette DAC interface.

Figure 22.15 shows the signals used within the IMS G201 to connect the IMS G191 serializer palette DAC.

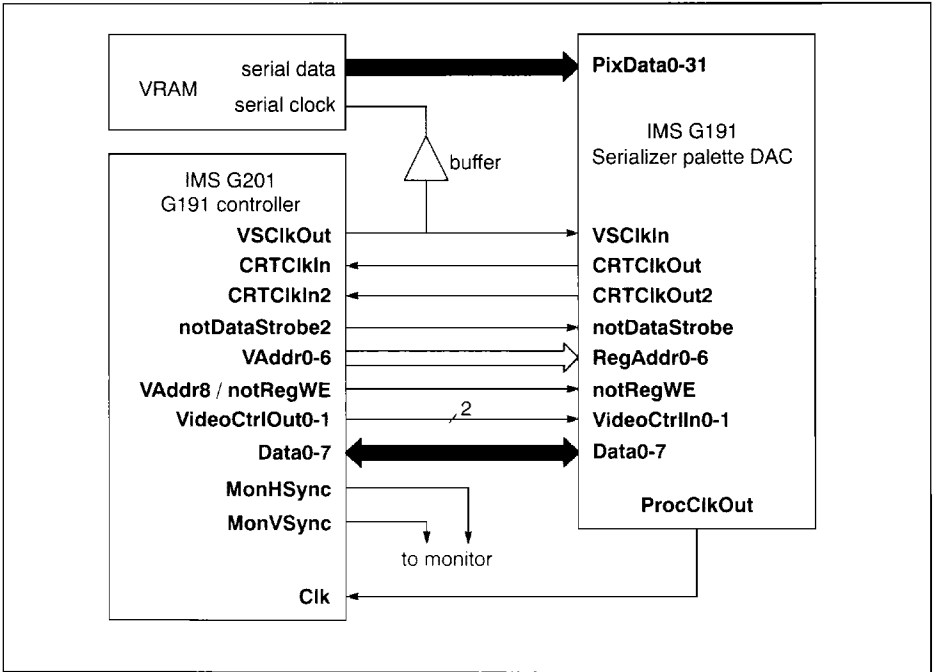


Figure 22.15 IMS G201 interface to the IMS G191

The **notDataStrobe2** output from the IMS G201 is dedicated to the IMS G191. It is used to strobe addresses and control code data (carried on the **VAddr0-6** bus) from the IMS G201 to the IMS G191. It is used to communicate register contents programmed by the host processor and decoded in the IMS G201. A low sent on this pin to the IMS G191 indicates that the IMS G191 should perform the action defined by the **VAddr0-6** and **notRegWE** pins.

The **notRegWE** pin is driven by bit 8 (**VAddr8**) of the VRAM address bus during accesses between the IMS G201 and IMS G191. It determines whether a read or write cycle is being executed. When low, indicating a write to the IMS G191, it inputs the data (**Data0-7**) into the IMS G191 addressed parameter register. When high, indicating a read from the IMS G191, it outputs the contents of the addressed parameter register onto the data bus.

The data bus (**Data0-7**) is bi-directional between the IMS G201 and the IMS G191 and transfers parameter register data.

G201 writes to G191 registers

For IMS G191 register writes, data is passed from the IMS G201 to the IMS G191 in byte-wide chunks over the data bus (**Data0-7**). All 8 bits of data are passed to the IMS G191 for shared registers, as well as for the other registers. For shared registers the IMS G201 also latches its required data at the same time.

Bus (AT bus or Micro Channel) registers in the IMS G201 and the IMS G191 which have duplicate bits are written to in both chips. The slowest write controls the **Ready** signal to the system bus. G201 writes to G191 registers are shown in Figure 22.16.

Write to G191 register strobes

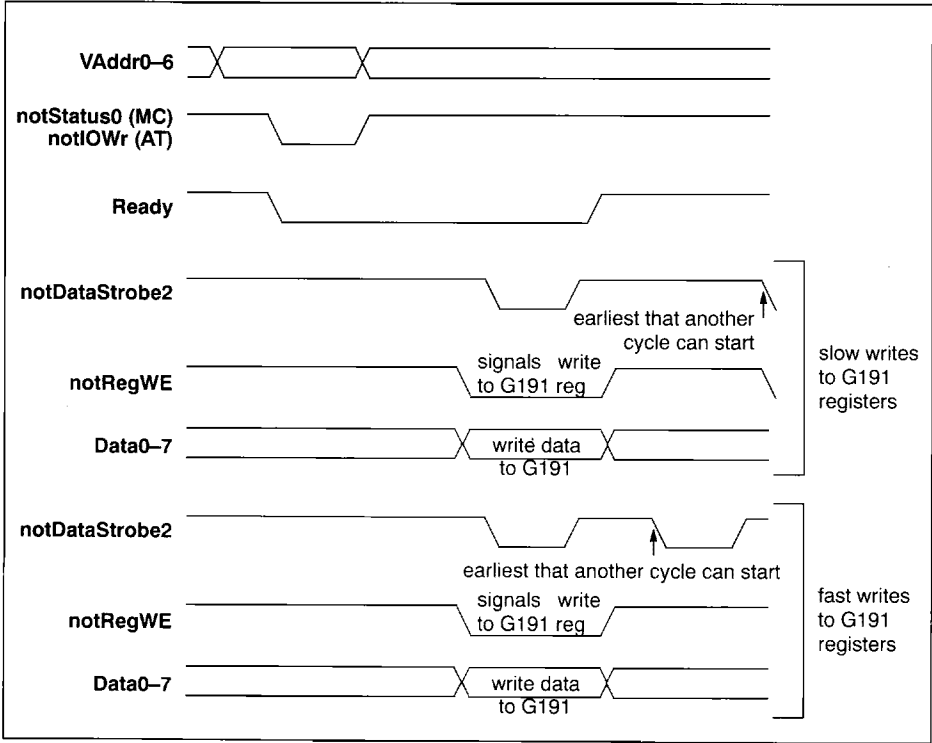


Figure 22.16 G201 writes to G191 registers

G201 reads of G191 registers

For IMS G191 register reads data is read from the IMS G191 via the data bus and latched in the IMS G201. Any shared registers are then OR'ed to ensure data consistency. Any bits which are duplicated between registers in the IMS G201 and IMS G191 are also OR'ed. The IMS G201 then performs any necessary operations on the data before passing it to the system bus. G201 reads of G191 registers are shown in Figure 22.17.

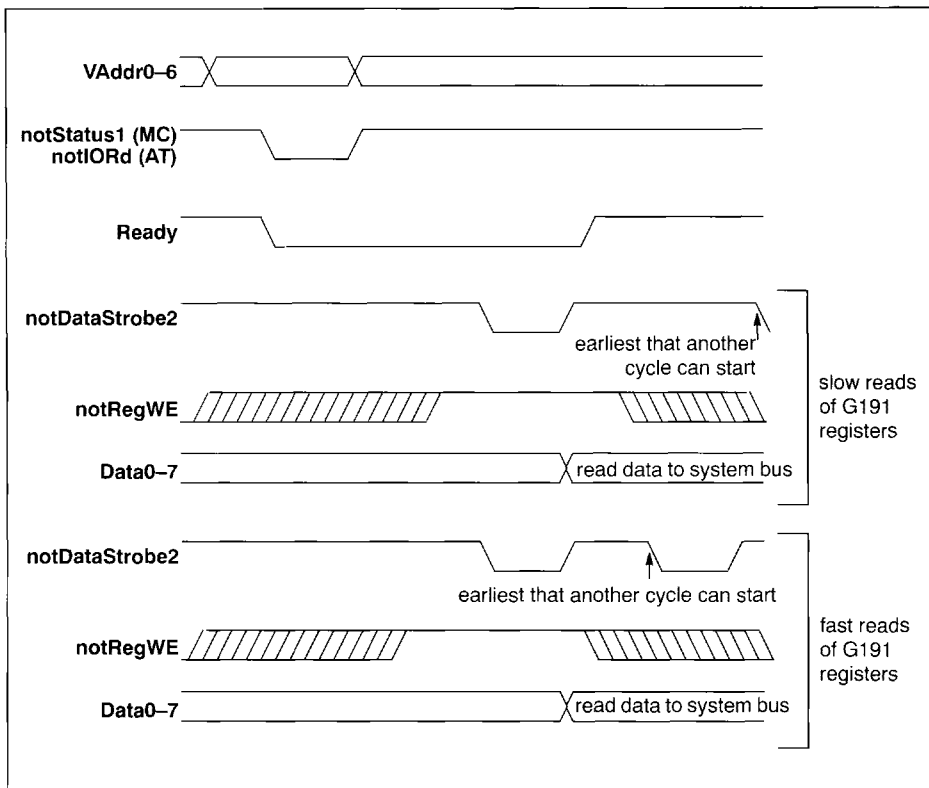


Figure 22.17 G201 reads of G191 registers

22.10.4 External memory and register interface

Reads and writes to external registers and static memory are handled in a similar way to IMS G191 register reads and writes. The **notDataStrobe1** signal strobes low to cause reads and writes to/from external memory (typically PROM) and external registers. This signal is qualified by one of the data bits (**Data28-31**) to select a particular type of operation, as follows:

- Data28** External memory write
- Data29** External memory read
- Data30** External register write
- Data31** External register read

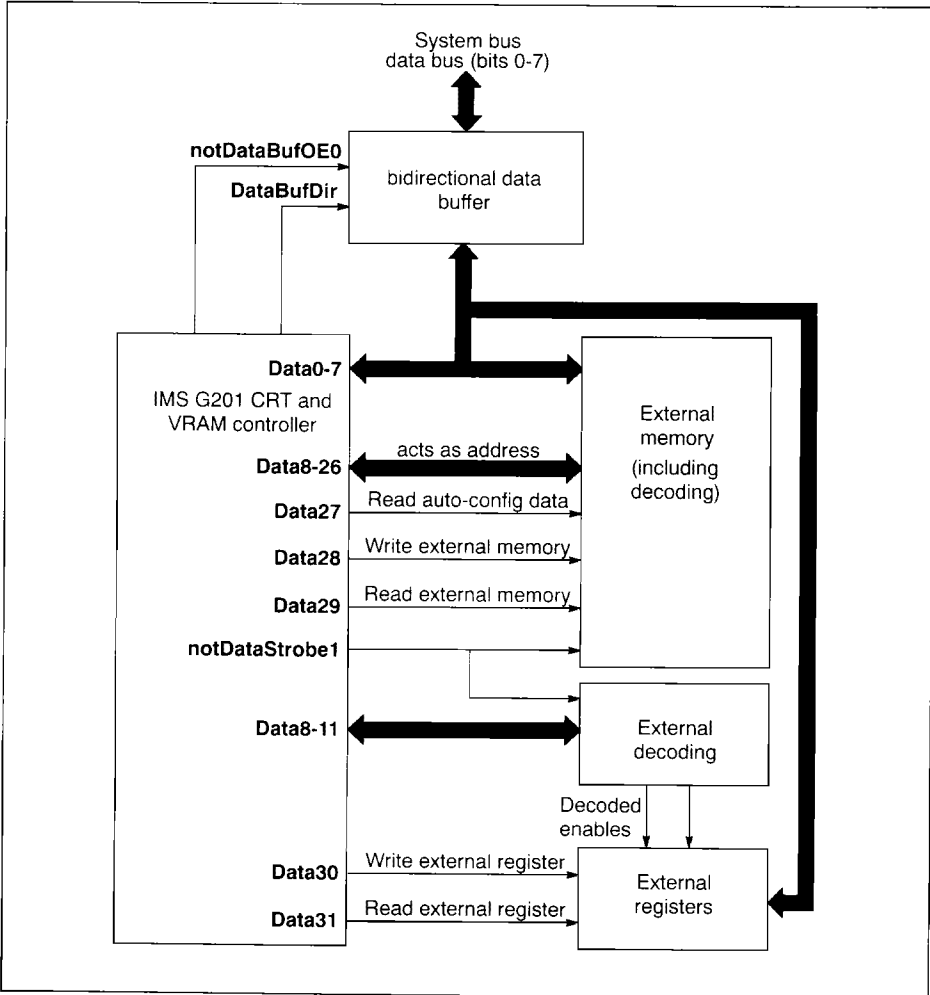


Figure 22.18 IMS G201 external memory and register interface

External memory accesses

The IMS G201 supports an external ROM or RAM device and can map it into system address space. For a Micro Channel bus system an 8K space within the 128K ROM area (C0000–DFFFF) provides a ROM decode. For an AT bus system the ROM decode is widened to 32K.

When the external storage is accessed, the IMS G201 generates a low pulse on **notDataStrobe1**. During a read from external storage, **notDataStrobe1** will be qualified by **Data29** being low. A write will be qualified by **Data28** being low.

This is the mechanism for supporting an adapter BIOS ROM. Programmable Option Select (POS) registers define the decoding range of the external storage.

The address for the external storage access is driven on **Data8-20** and data is driven on **Data0-7**.

External register accesses

Some implementations of the XGA subsystem require the use of external registers accessible by the system processor. The IMS G201 assists in this by providing a range of decodes for which a strobe signal and qualifiers are generated. External register operation is similar to external memory access. **notDataStrobe1** is the strobe pulse that is qualified by **Data30** for writes and **Data31** for reads. **Data8-11** are available for decoding specific registers, as defined below.

| XGA indexed register 21xA | Data8-11 external register address | Description |
|---------------------------|------------------------------------|--------------------------------|
| 70 | 0 | External clock select register |
| 71 | 1 | ROM paging |
| 72-7F | 2-F respectively | External registers |

22.11 Timing reference guide for AT bus mode

22.11.1 AT bus timings

The following timing diagrams and tables show AT bus timings at the channel connector. IMS G201 signal names are shown in the left-hand and AT bus names in the right-hand column.

Slave bus cycles

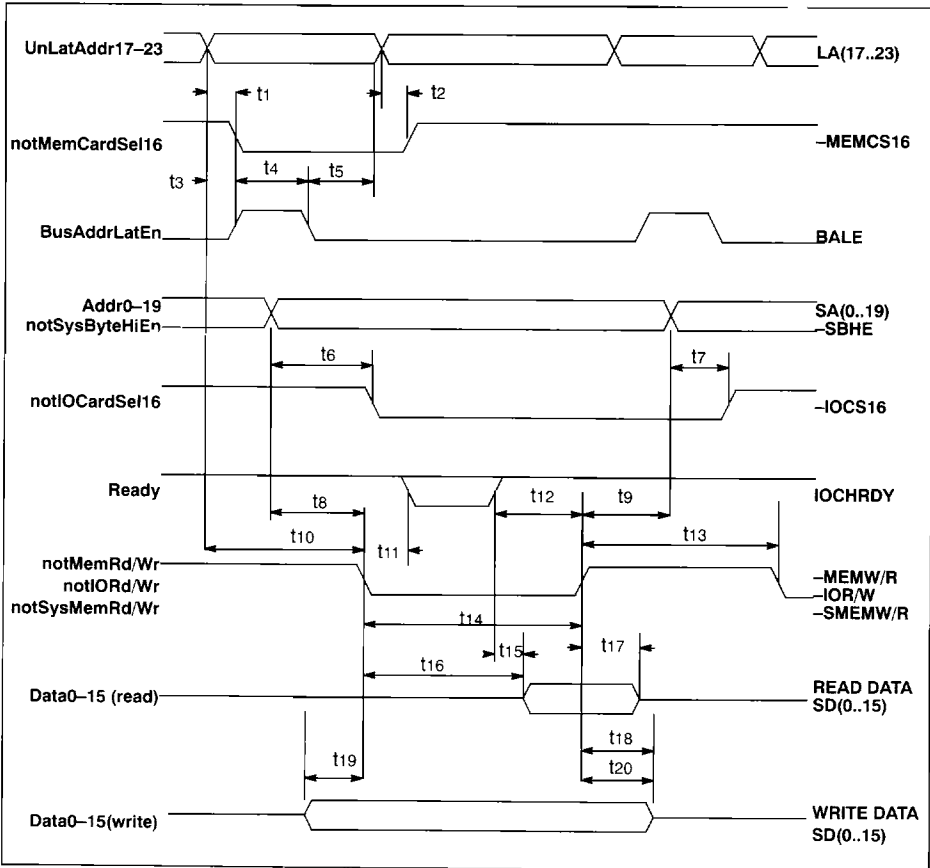


Figure 22.19 Slave bus cycle waveforms

| Symbol | Parameter | Min | Max | Units |
|--------|--|-----|-----|-------|
| t1 | notMemCardSel16 active from UnLatAddr17–23 | | 43† | ns |
| t2 | notMemCardSel16 hold from UnLatAddr17–23 | 0 | | ns |
| t3 | UnLatAddr17–23 setup to BusAddrLatEn | 50 | | ns |
| t4 | BusAddrLatEn pulse width | 50 | | ns |
| t5 | UnLatAddr17–23 hold after BusAddrLatEn | 15 | | ns |
| t6 | notIOCardSel16 active from Addr0–15 | | 48† | ns |
| t7 | notIOCardSel16 hold from Addr0–15 | 0 | | ns |
| t8 a | Addr1–19 setup to memory command strobe active | 28 | | ns |
| | Addr1–19 setup to I/O command strobe active | 28 | | |
| t8 b | notSysByteHiEn, Addr0 setup to memory command strobe active | 28 | | ns |
| | notSysByteHiEn, Addr0 setup to I/O command strobe active | 28 | | |
| t9 | Addr0–19 and notSysByteHiEn hold after command strobe inactive | 20 | | ns |
| t10 | UnLatAddr17–23 setup to command strobe active | 109 | | ns |
| t11 | Ready inactive from command strobe active (Mem) | | 35 | ns |
| | Ready inactive from command strobe active (I/O) | | 35 | |
| t12 | Command strobe inactive from Ready active | 125 | | ns |
| t13 | Command separation | 97 | | ns |
| t14 | Memory write command pulse width (Ready active) | 165 | | ns |
| | I/O write command pulse width (Ready active) | 115 | | |
| | Memory read command pulse width (Ready active) | 165 | | |
| | I/O read command pulse width (Ready active) | 115 | | |
| t15 | Read data active from Ready active | | 64 | ns |
| t16 | Memory read data access (Ready active) | | 122 | ns |
| | I/O read data access (Ready active) | | 72 | |
| t17 | Read data hold after command inactive | 0 | | ns |
| t18 | Data bus off after read command strobe inactive | | 30 | ns |
| t19 | Memory write data setup to command strobe active | -56 | | ns |
| | I/O write data setup to command strobe active | -56 | | |
| t20 | Write data hold after command strobe inactive | 15 | | ns |

†These timings assume a maximum load of 90 pF.

Table 22.11 Slave bus cycle timing values

Master bus cycle waveforms

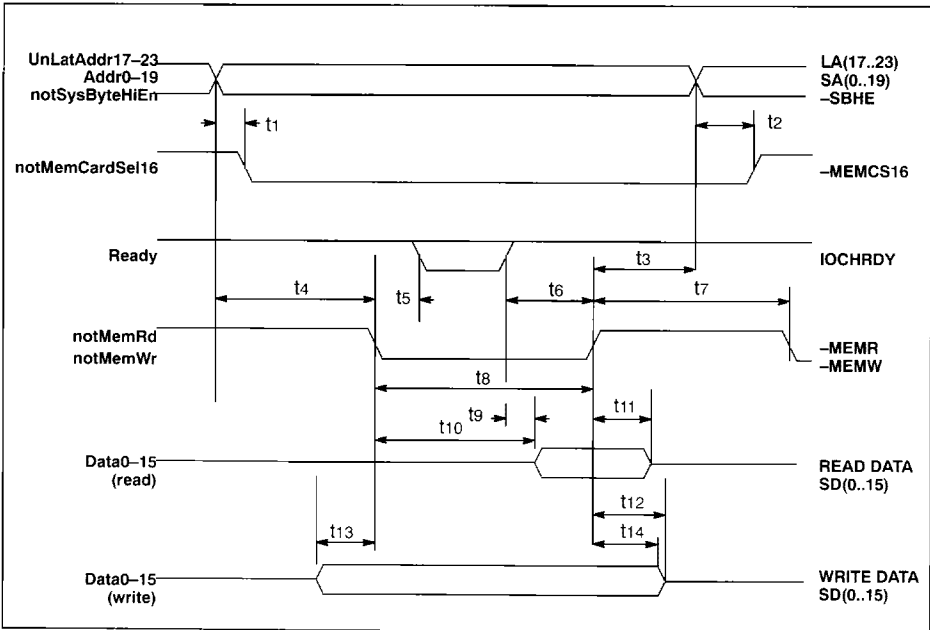


Figure 22.20 Master bus cycle waveforms

| Symbol | Parameter | Min | Max | Units |
|--------|---|------------|-----|-------|
| t1 | notMemCardSel16 valid from address | | 80 | ns |
| t2 | notMemCardSel16 hold from address | 0 | | ns |
| t3 | Address hold after command | 42 | | ns |
| t4 | Address setup to command | 91 | | ns |
| t5 | Ready inactive from command | | 59 | ns |
| t6 | Command strobe inactive from Ready active | 125 | | ns |
| t7 | Command separation | 159 | | ns |
| t8 | Write Command pulse width Read Command pulse width | 219 219 | | ns |
| t9 | Read data valid from Ready active | 85 | | ns |
| t10 | Read data access | | 195 | ns |
| t11 | Data bus off after read command strobe inactive | | 30 | ns |
| t12 | Data bus off after write command strobe inactive | | 75 | ns |
| t13 | Write data setup to command | 0 | | ns |
| t14 | Write data hold after command | 25 | | ns |

Table 22.12 Master bus cycle timing values

Bus Arbitration

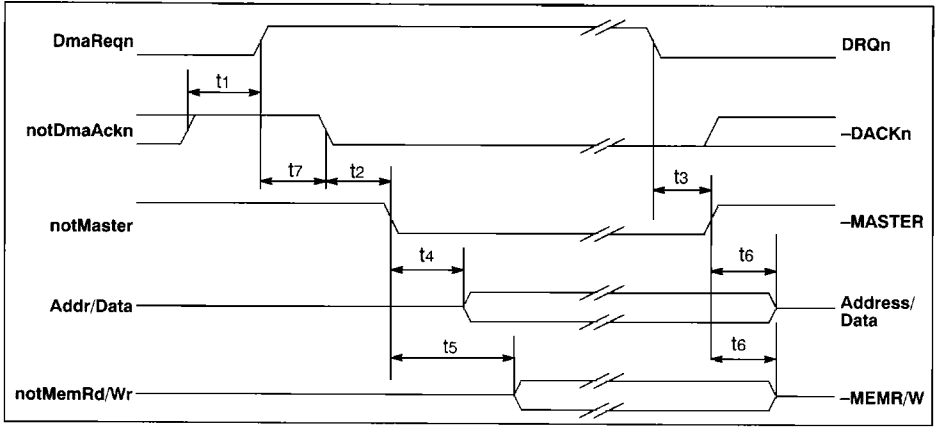


Figure 22.21 Bus arbitration waveforms

| Symbol | Parameter | Min | Max | Units |
|--------|--|--------|-----|-------|
| t1 | DmaReqn active from notDmaAckn inactive | 0 | | ns |
| t2 | notMaster active from notDmaAckn active | 0 | | ns |
| t3 | notMaster inactive from DmaReqn inactive | | 100 | ns |
| t4 | Address/data driven from notMaster active | note 1 | | ns |
| t5 | Command signals driven from notMaster active | note 2 | | ns |
| t6 | Bus signals tri-stated from notMaster inactive | | 0 | ns |
| t7 | notDmaAckn active from DmaReqn | note 3 | | ns |

Table 22.13 Bus arbitration timing values

Notes

- 1 Address and data signals must not be driven before 1 system bus clock cycle after **notMaster** is asserted. (125ns on an 8MHz AT).
- 2 Control signals must not be driven before 2 system bus clocks after **notMaster** is asserted. (250ns on an 8MHz AT).
- 3 The delay from bus request to grant depends on the system design, but is typically 1.7 microseconds minimum for a 16 bit DMA channel on an 8MHz AT.

22.12 Timing reference guide for Micro Channel bus mode

22.12.1 System bus interface timings

This section provides timing diagrams for the basic I/O and memory cycles. For Figures 22.22 and 22.23 IMS G201 signal names are shown in the left-hand and Micro Channel names in the right-hand column.

I/O and memory cycle timings for IMS G201 as Micro Channel bus master

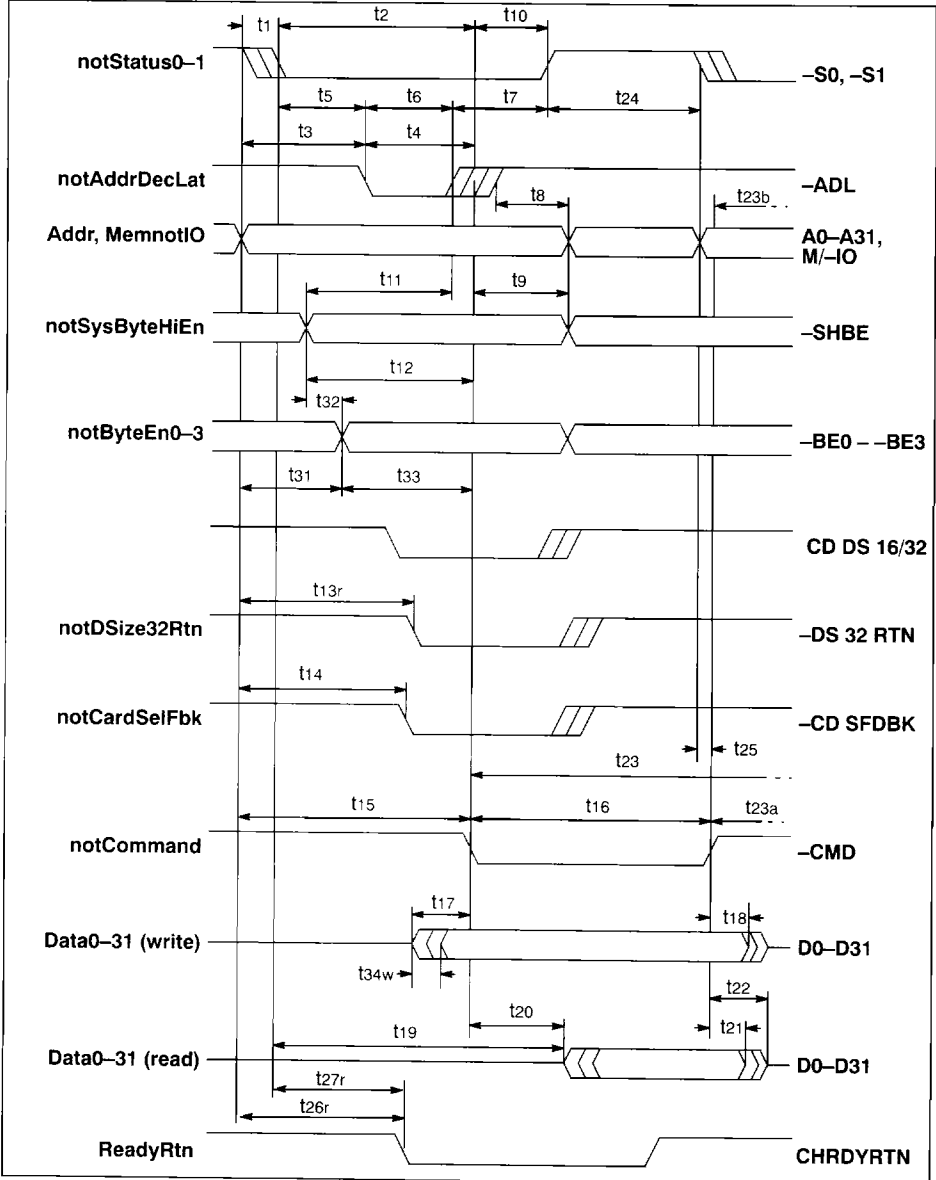


Figure 22.22 I/O and memory cycle timings for IMS G201 as bus master

| Symbol | Parameter | Micro Channel | | IMS G201 | | Units |
|--------|---|---------------|-----|----------|-----|-------|
| | | Min | Max | Min | Max | |
| t1 | notStatus0-1 active from Addr, MemnotIO valid | 10 | | 20 | | ns |
| t2 | notCommand active from notStatus0-1 active | 55 | | 65 | | ns |
| t3 | notAddrDecLat active from Addr, MemnotIO valid | 45 | | 55 | | ns |
| t4 | notAddrDecLat active to notCommand | 40 | | 50 | | ns |
| t5 | notAddrDecLat active from notStatus0-1 active | 12 | | 22 | | ns |
| t6 | notAddrDecLat pulse width | 40 | | 45 | | ns |
| t7 | notStatus0-1 hold from notAddrDecLat inactive | 25 | | 35 | | ns |
| t8 | Addr, MemnotIO hold from notAddrDecLat inactive | 25 | | 31 | | ns |
| t9 | Addr, MemnotIO hold from notCommand active | 30 | | 36 | | ns |
| t10 | notStatus0-1 hold from notCommand active | 30 | | 40 | | ns |
| t11 | notSysByteHiEn setup to notAddrDecLat inactive | 40 | | 50 | | ns |
| t12 | notSysByteHiEn setup to notCommand active | 40 | | 50 | | ns |
| t13r | notDSize32Rtn valid from Addr, MemnotIO valid | | 75 | | 88 | ns |
| t14 | notCardSelFbk valid from Addr, MemnotIO valid | | | | * | |
| t15 | notCommand active from Addr valid | 85 | | 95 | | ns |
| t16 | notCommand pulse width | 90 | | 95 | | ns |
| t17 | Write Data0-31 setup to notCommand active | 0 | | 10 | | ns |
| t18 | Write Data0-31 hold from notCommand inactive | 30 | | 40 | | ns |
| t19 | notStatus0-1 to Read Data0-31 valid | | 125 | | 138 | ns |
| t20 | Read Data0-31 from notCommand active | | 60 | | 73 | ns |
| t21 | Read Data0-31 hold from notCommand inactive | 0 | | -10 | | ns |
| t22 | Read data bus tri-state from notCommand inactive | | 40 | | 50 | ns |
| t23 | notCommand active to next notCommand active | 190 | | 195 | | ns |
| t23a | notCommand inactive to next notCommand active | 80 | | 90 | | ns |
| t23b | notCommand inactive to next notAddrDecLat active | 40 | | 50 | | ns |
| t24 | Next notStatus0-1 active from notStatus0-1 inactive | 30 | | 40 | | ns |
| t25 | Next notStatus0-1 active to notCommand inactive | | 20 | | 10 | ns |
| t26r | ReadyRtn inactive from Addr, MemnotIO valid | | 80 | | 90 | ns |
| t27r | ReadyRtn inactive from notStatus0-1 valid and previous notCommand inactive | 0 | 50 | -10 | 60 | ns |
| t31 | notByteEn0-3 active from Addr | | 40 | | 30 | ns |
| t32 | notByteEn0-3 active from notSysByteHiEn, A0, A1 active | | 30 | | 20 | ns |
| t33 | notByteEn0-3 active to notCommand active | 10 | | 20 | | ns |
| t34w | Write Data0-31 setup to write Data0-31 hold | 0 | 15 | | * | |

*This is a Micro Channel system timing, for details refer to the Micro Channel specification

Table 22.14 I/O and memory cycle timings for IMS G201 as bus master

I/O and memory cycle timings for IMS G201 as Micro Channel bus slave

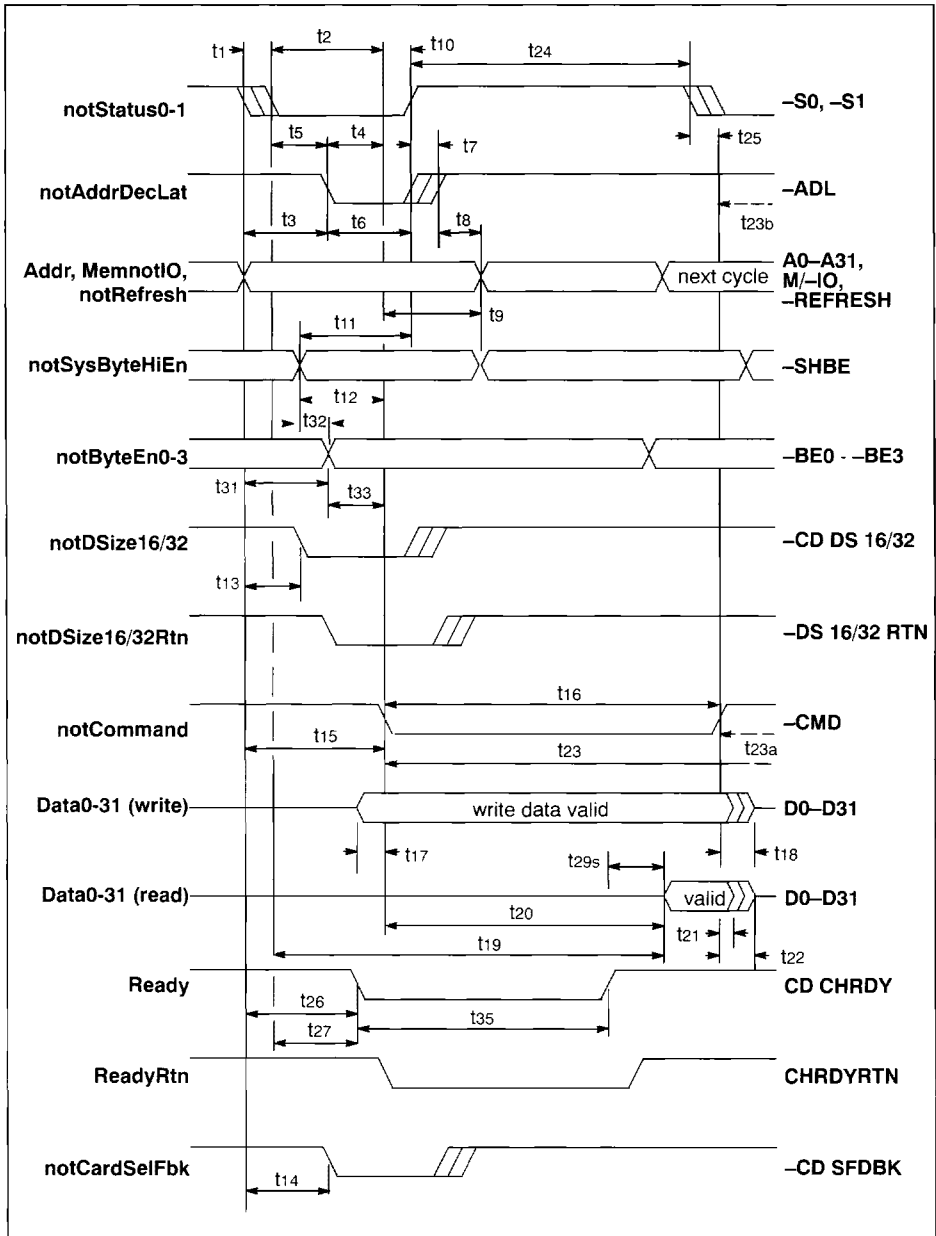


Figure 22.23 I/O and memory cycle for IMS G201 as bus slave

| Sym- bol | Parameter | Micro Channel | | IMS G201 | | Units | Notes |
|-------------|--|------------------|-----|-------------|-----|-------|-------|
| | | Min | Max | Min | Max | | |
| t1 | notStatus0-1 active from Addr,MemnotIO, notRefresh valid | 10 | | 0 | | ns | |
| t2 | notCommand active from notStatus0-1 active | 55 | | 45 | | ns | |
| t3 | notAddrDecLat active from Addr, MemnotIO, notRefresh valid | 45 | | 35 | | ns | |
| t4 | notAddrDecLat active to notCommand | 40 | | 30 | | ns | |
| t5 | notAddrDecLat active from notStatus0-1 active | 12 | | 2 | | ns | |
| t6 | notAddrDecLat pulse width | 40 | | 30 | | ns | |
| t7 | notStatus0-1 hold from notAddrDecLat inactive | 25 | | 15 | | ns | 1 |
| t8 | Addr,MemnotIO, notRefresh, notSysByteHiEn hold from notAddrDecLat inactive | 25 | | 15 | | ns | |
| t9 | Addr,MemnotIO, notRefresh, notSysByteHiEn hold from notCommand active | 30 | | 20 | | ns | |
| t10 | notStatus0-1 hold from notCommand active | 30 | | 20 | | ns | 1 |
| t11 | notSysByteHiEn setup to notAddrDecLat inactive | 40 | | 30 | | ns | |
| t12 | notSysByteHiEn to notCommand active | 40 | | 30 | | ns | |
| t13 | notDsize16/32 valid from Addr,MemnotIO valid | | 55 | | 42 | ns | |
| t14 | notCardSelFbk valid from Addr,MemnotIO valid | | 60 | | 42 | ns | |
| t15 | notCommand active from Addr valid | 85 | | 75 | | ns | |
| t16 | notCommand pulse width | 190 | | | | ns | 2 |
| t17 | Write Data0-31 setup to notCommand active | 0 | | -10 | | ns | |
| t18 | Write Data0-31 hold from notCommand inactive | 30 | | 20 | | ns | |
| t19 | notStatus0-1 to Read Data0-31 valid | | 125 | | 115 | ns | |
| t20 | Read Data0-31 valid from notCommand active | | 60 | | | ns | |
| t21 | Read Data0-31 hold from notCommand inactive | 0 | | 10 | | ns | |
| t22 | Read Data0-31 bus tri-state from notCommand inactive | | 40 | | 30 | ns | |
| t23 | notCommand active to next notCommand active | 190 | | | | ns | |
| t23a | notCommand inactive to next notCommand active | 80 | | 70 | | ns | |
| t23b | notCommand inactive to next notAddrDecLat active | 40 | | 30 | | ns | |
| t24 | Next notStatus0-1 active from notStatus0-1 inactive | 30 | | 20 | | ns | |
| t25 | Next notStatus0-1 active to notCommand inactive | | 20 | | 30 | ns | |
| t26 | CD CHRDY valid from Addr valid | | 60 | | 53 | ns | |
| t27 | CD CHRDY valid from notStatus0-1 valid | | 30 | | 23 | ns | |
| t29s | Read Data0-31 valid from Ready | | 60 | | 50 | ns | |
| t31 | notByteEn0-3 active from Addr valid (32bit masters only) | | 40 | | 50 | ns | |
| t32 | notByteEn0-3 active from notSysByteHiEn, A0, A1 active | | 30 | | 40 | ns | |
| t33 | notByteEn0-3 active to notCommand active | 10 | | 0 | | ns | |
| t35 | CD CHRDY valid from -CD CHRDY | | 3.5 | | 3.5 | µs | |

Notes:

- 1 A bus master must deactivate **-S0,1** as soon as possible after the hold time specified by t7 and t10, and prior to the deactivation of **-CMD**. This deactivation must be independent of **CHRDYRTN**.
- 2 All slave cycles are extended except for accesses to the external polling register. These are default cycles (**-CMD** pulse width is 90ns min).

Table 22.15 I/O and memory cycle for IMS G201 as bus slave

IMS G201 Micro Channel buffer timings in slave mode

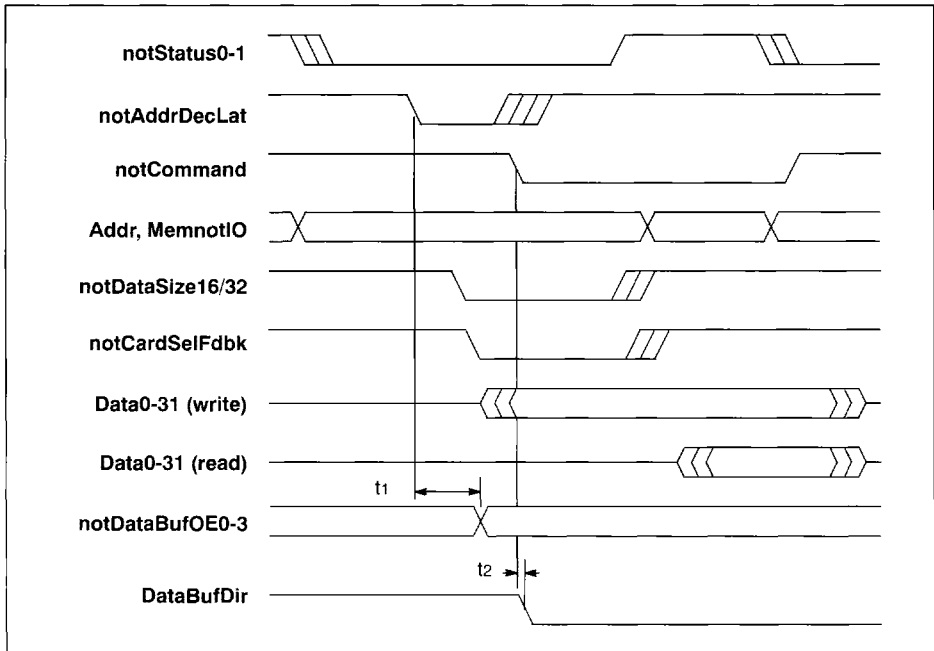


Figure 22.24 IMS G201 Micro Channel buffer timings in slave mode

| Symbol | Parameter | Min | Max | Unit | Notes |
|--------|--------------------------------------|-----|-----|------|-------|
| t1 | AddrDecLat to notDataBufOE0-3 change | 7 | 29 | ns | |
| t2 | Command to DataBufDir change | 5 | 18 | ns | |

Table 22.16 IMS G201 Micro Channel buffer timings in slave mode

Timings for Micro Channel arbitration cycle

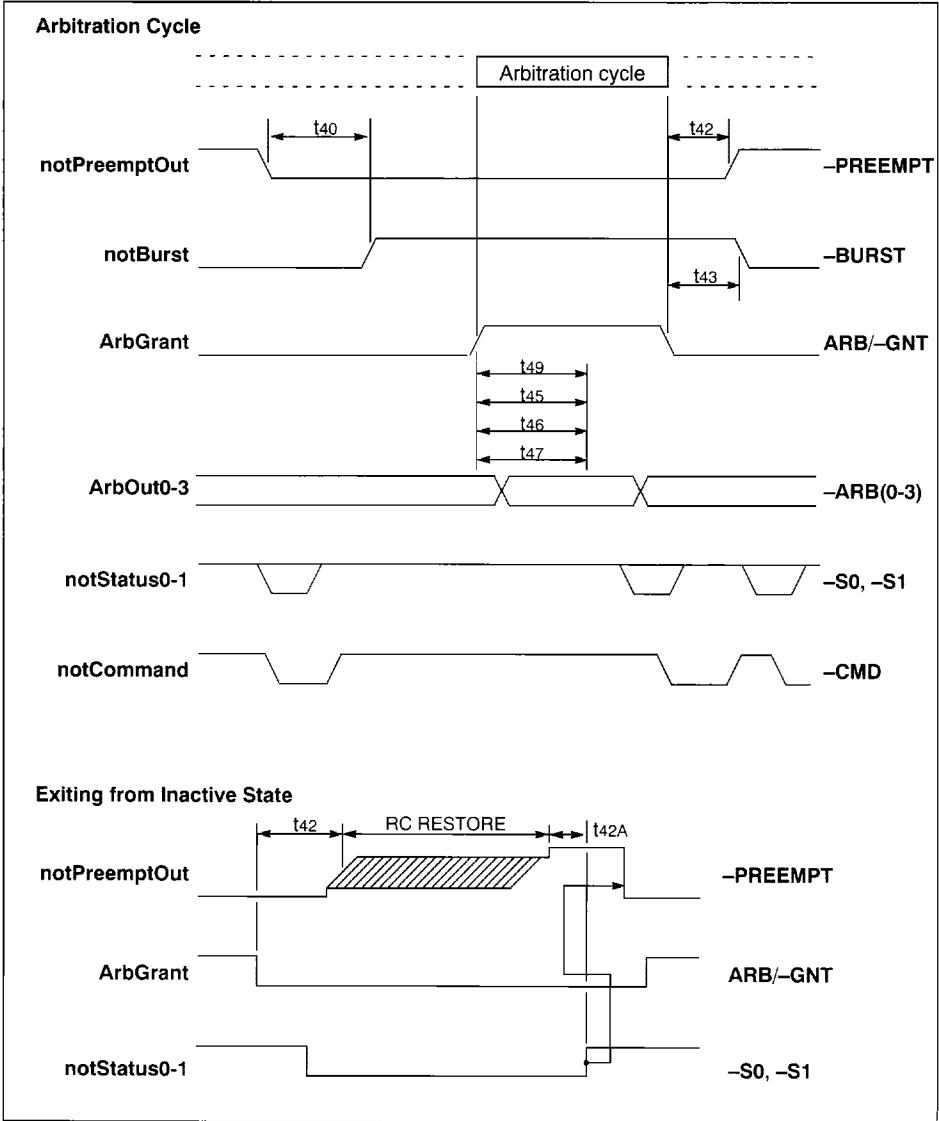


Figure 22.25 Arbitration cycle

| Symbol | Parameter | Micro Channel | | IMS G201 | | Units | Notes |
|--|---|---------------|-----|----------|-----|-------|-------|
| | | Min | Max | Min | Max | | |
| t40 | notPreempt active (low) to end of transfer | 0 | 7.8 | 0 | 7.5 | μs | 1 |
| t42 | notPreempt inactive (high) from ArbGrant low | 0 | 50 | 0 | 40 | ns | |
| t42A | notPreempt inactive (high) to Status inactive | 20 | | 30 | | ns | |
| t43 | notBurst active (low) from ArbGrant low (by bursting DMA slave) | | 50 | | 40 | ns | |
| t45 | Driver turn-on delay from ArbGrant high | 0 | 50 | 0 | 40 | ns | |
| t45A | Driver turn-on delay from lower priority line | 0 | 50 | 0 | 40 | ns | |
| t46 | Driver turn-off delay from ArbGrant high | 0 | 50 | 0 | 40 | ns | |
| t47 | Driver turn-off delay from lower priority line | 0 | 50 | 0 | 40 | ns | |
| t49 | Tri-state drivers from ArbGrant high | | 50 | | 40 | ns | |
| Note: | | | | | | | |
| 1 t42A represents the timing requirement after the resistor-capacitor line delay. This window is available for devices to detect inactive -PREEMPT and exit from the inactive state after the rising edge of -S0, S1 . | | | | | | | |

Table 22.17 Arbitration cycle timings

Timings for Micro Channel streaming data mode

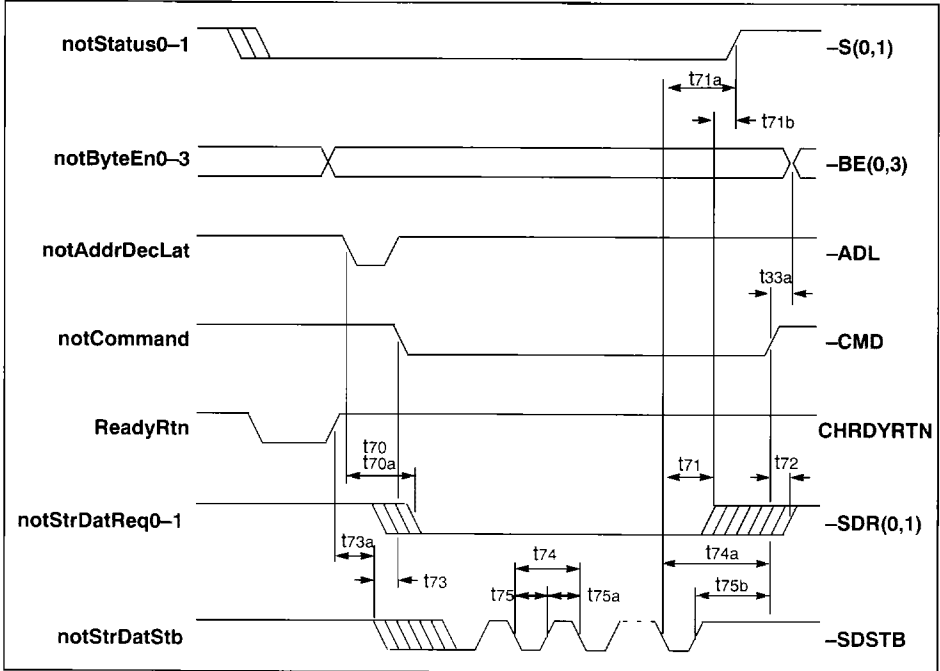


Figure 22.26 Streaming mode timing diagram for streaming data cycle basic signal sequence

| Symbol | Parameter | Micro Channel | | IMS G201 | | Units |
|--------|--|---------------|-----|----------|-----|-------|
| | | Min | Max | Min | Max | |
| t33a | notByteEn0-3 hold from notCommand inactive | 10 | | 20 | | ns |
| t70 | notStrDatReq0-1 valid from notAddrDecLat active (slave) | 0 | 40 | -10 | 50 | ns |
| t70a | notStrDatReq0-1 valid from notAddrDecLat active (master) | 0 | 115 | -10 | 125 | ns |
| t71 | notStrDatReq0-1 inactive from last notStrDatStb fall | 0 | 40 | -10 | 50 | ns |
| t71a | notStatus0-1 inactive from last notStrDatStb fall | | 10 | | 10 | ns |
| t71b | notStrDatReq0-1 inactive from notStatus0-1 inactive | 0 | 40 | -10 | 50 | ns |
| t72 | notStrDatReq0-1 tristate from notCommand inactive | 0 | 40 | -10 | 50 | ns |
| t73 | notStrDatStb active to notCommand active | | 10 | | 0 | ns |
| t73a | notStrDatStb active from ReadyRtn active | 0 | | 10 | | ns |
| t74 | notStrDatStb period | 100 | | 100 | | ns |
| t74a | notCommand inactive from last notStrDatStb fall | 100 | | 110 | | ns |
| t75 | notStrDatStb active | 35 | | 40 | | ns |
| t75a | notStrDatStb inactive | 35 | | 40 | | ns |
| t75b | notStrDatStb inactive to notCommand inactive | 35 | | 45 | | ns |

Table 22.18 Streaming mode timings for streaming data cycle basic signal sequence

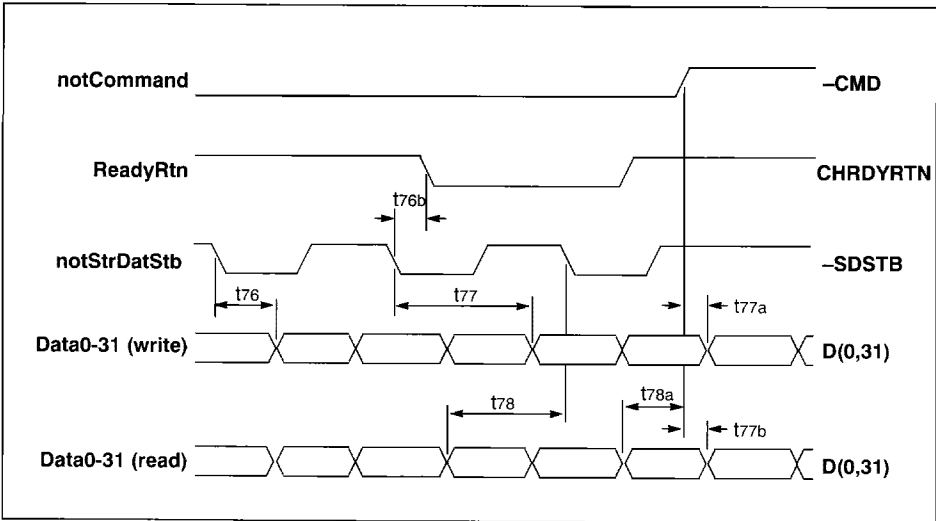


Figure 22.27 Streaming mode timing diagram for streaming data clocking

| Symbol | Parameter | Micro Channel | | IMS G201 | | Units |
|--------|---|---------------|-----|----------|-----|-------|
| | | Min | Max | Min | Max | |
| t76 | Data0-31 (send) valid from notStrDatStb fall | | 60 | | 50 | ns |
| t76b | ReadyRtn valid from notStrDatStb fall | 3 | 45 | -2 | 50 | ns |
| t77 | Data0-31 (send) hold from notStrDatStb fall | 10 | | 20 | | ns |
| t77a | Data0-31 (write) hold from notCommand inactive | 11 | | 21 | | ns |
| t77b | Data0-31 (read) hold from notCommand inactive | 7 | | 0 | | ns |
| t78 | Data0-31 (receive) valid before notStrDatStb fall | 25 | | 20 | | ns |
| t78a | Data0-31 (receive) valid before notCommand inactive | 25 | | 20 | | ns |

Table 22.19 Streaming mode timings for streaming data clocking

22.12.2 VRAM interface timings

VRAM Read/Write Timings

All accesses to the random read/write port of the VRAMs are synchronous to the IMS G201 processor clock (**Clk**). The timings of these strobes vary continuously depending on the contents of memory configuration register 1.

Figure 22.28 shows a basic read and write cycle to the VRAMs. Read data from the VRAM is latched into the IMS G201 using either **notVCAS0-1** or **notVOE**, whichever becomes inactive first. This varies depending on the memory parameters, see Table 22.20.

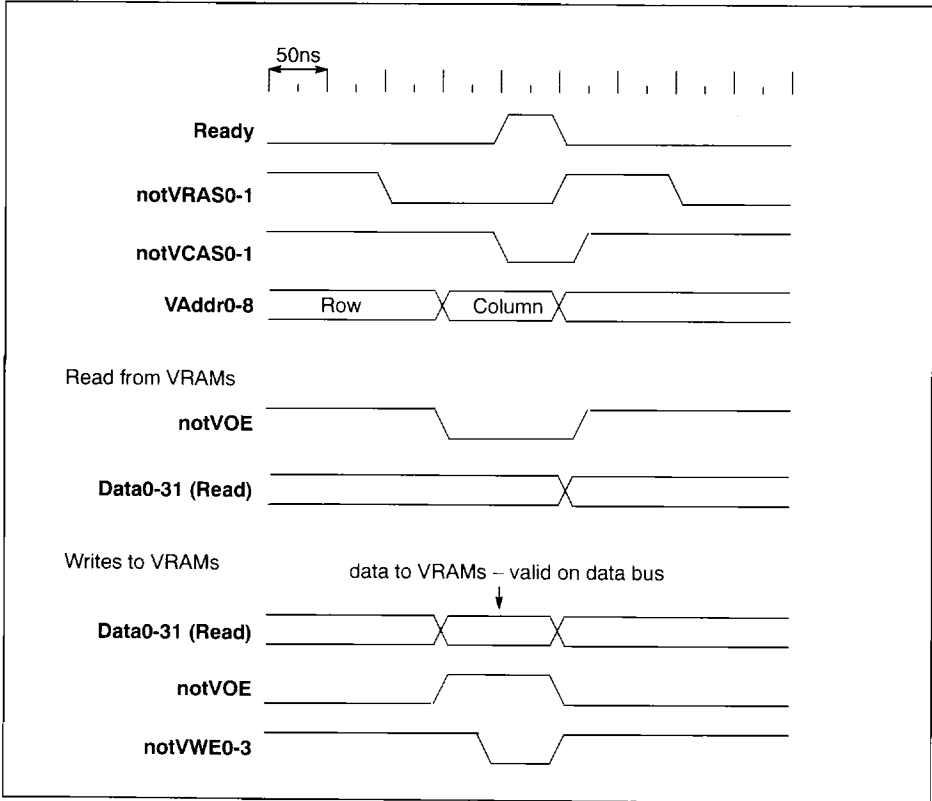


Figure 22.28 Basic memory controller access to VRAMs

Figure 22.29 shows the timings for basic multicycle accesses, alternatively referred to as page mode accesses.

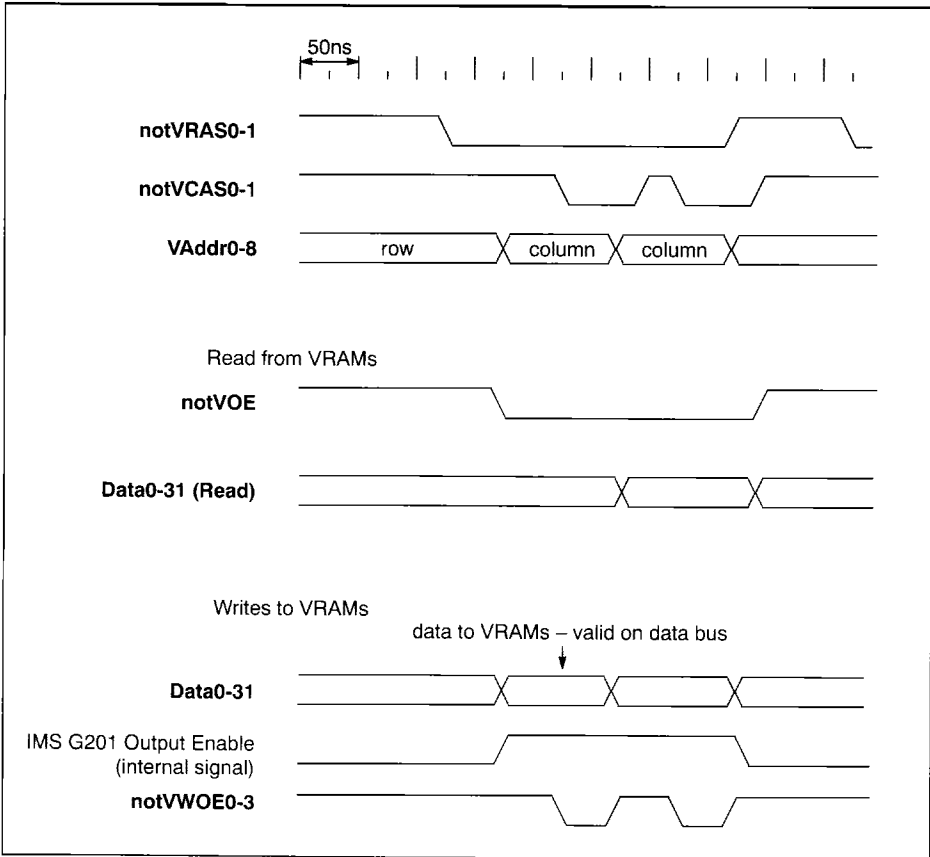


Figure 22.29 Memory controller access to VRAMs-multi cycle

Effects of setting the IMS G201 memory configuration registers

The timings of the VRAM cycles under various modes is dependent on the settings of the memory configuration register (index 01).

All bits marked ‘-’ are reserved and must be masked out on reads and written to 0 (low) on writes unless otherwise specified.

Memory configuration 1 register (Index: 01)

| | | | | | | | |
|---|---|---|---|---|----|----|----|
| 7 | 6 | 5 | 4 | 3 | 2 | 1 | 0 |
| - | - | - | - | - | RA | RP | VA |

The previous two timing diagrams, Figures 22.28 and 22.29, showed the default timing with RA, RP and VA set to 0. Setting these bits to a value other than 0 will extend the VRAM cycles as indicated in the following table and timing diagrams.

| Bit name | Bit | Definition |
|----------|-----|---|
| VA | 0 | <p>When set to 1 it extends CAS and RAS active time for VRAM cycles, except refresh cycles.</p> <p>This parameter determines the nominal time from CAS falling to the next CAS falling during page cycles.</p> <p>Nominal CAS times are given below:</p> <p>When VA set to 0: CAS low time = 62.5ns CAS high time = 37.5ns CAS falling to CAS falling = 100ns Refresh falling to CAS falling lowtime = 112.5ns or 162.5ns</p> <p>When VA set to 1: CAS low time = 100ns CAS high time = 50ns CAS falling to CAS falling = 150ns Refresh falling to CAS falling lowtime = 100ns or 150ns</p> |
| RP | 1 | <p>When set to 1 it extends RAS precharge time between consecutive VRAM cycles by 25ns.</p> <p>This parameter extends the nominal time from RAS falling to the next RAS falling by 50ns.</p> <p>Nominal RAS times are given below:</p> <p>When RP set to 0: RAS falling to RAS falling = 250ns (5 clock cycles) Refresh falling to RAS falling = 200ns</p> <p>When RP set to 1: RAS falling to RAS falling = 300ns (6 clock cycles) Refresh falling to RAS falling = 250ns</p> <p>Note: If both VA and RP are set to 1 then RAS falling to RAS falling = 350ns (7 clock cycles).</p> |
| RA | 2 | <p>When set to 1 it extends CAS and RAS active time for VRAM refresh cycles.</p> <p>This parameter determines the nominal time that CAS and RAS are active during a refresh cycle to the VRAM.</p> <p>Nominal CAS/RAS times are given below:</p> <p>When RA set to 0: CAS/RAS low time = 100ns</p> <p>When RA set to 1: CAS/RAS low time = 150ns</p> |

Table 22.20 Effects of setting the Memory configuration 1 register

Bit 1 (RP) determines the time between cycles. If set to 1 the **notVRAS0-1** low and high times are each extended by half a cycle. If set to 0 RAS would be high for a nominal time of 100ns.

Bit 2 (RA) only affects refresh cycles which are described on page 545.

Random cycles

The read data from the VRAM is latched into the IMS G201 using either **notVCAS0-1** or **notVOE** whichever becomes inactive first. This varies depending on the setting of the memory parameters. Figure 22.30 gives the cycle timings for various settings of the Memory configuration 1 register.

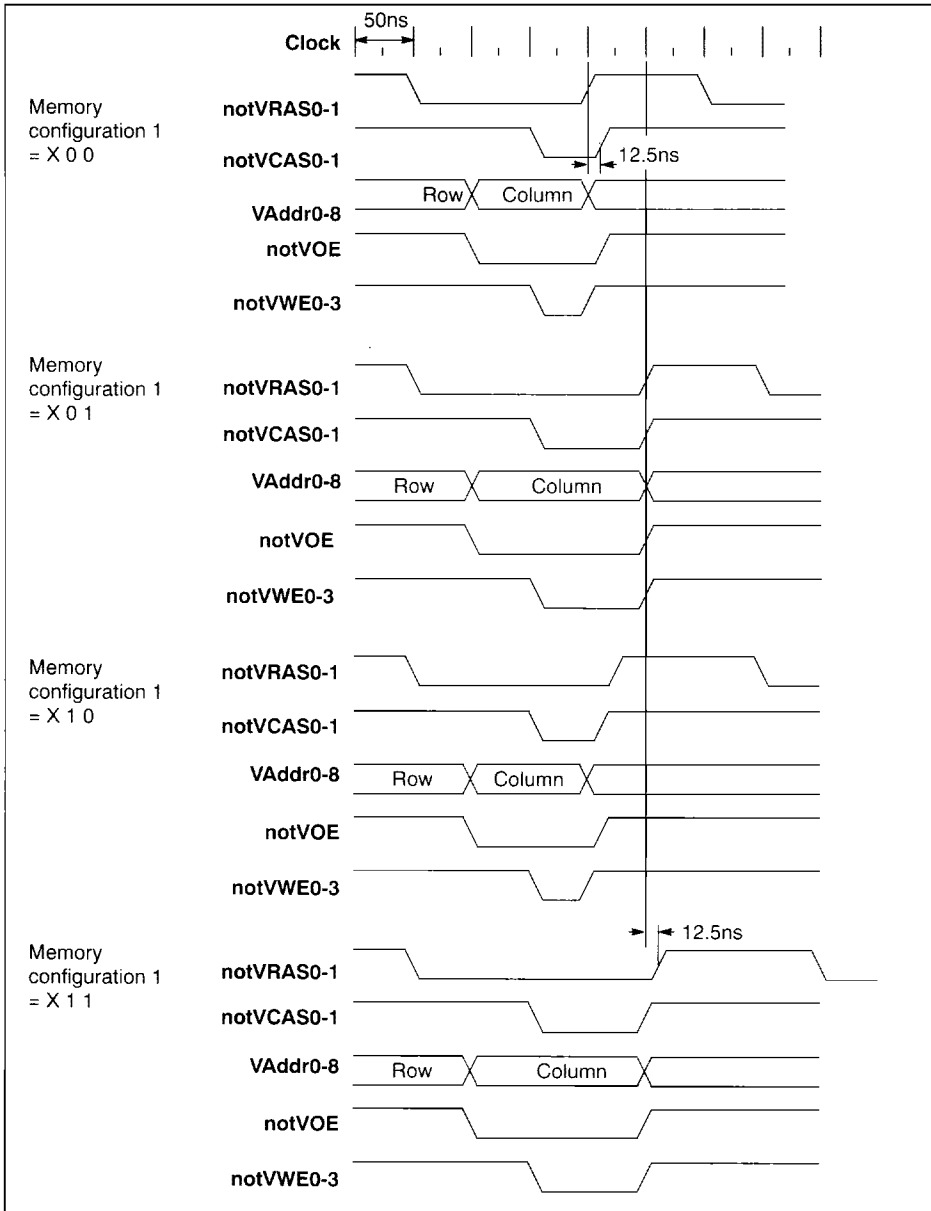


Figure 22.30 Random cycles -32 bit wide VRAMs for different Memory configuration 1 settings

Page mode cycles

Page mode cycles can occur for one of two reasons; either because the VRAM width does not enable the access to take place in one normal access (i.e. the VRAM width is less than 32 bits), or because the IMS G201 flags that there will be a paged mode access.

Figure 22.31 shows page mode cycle timings for different register settings.

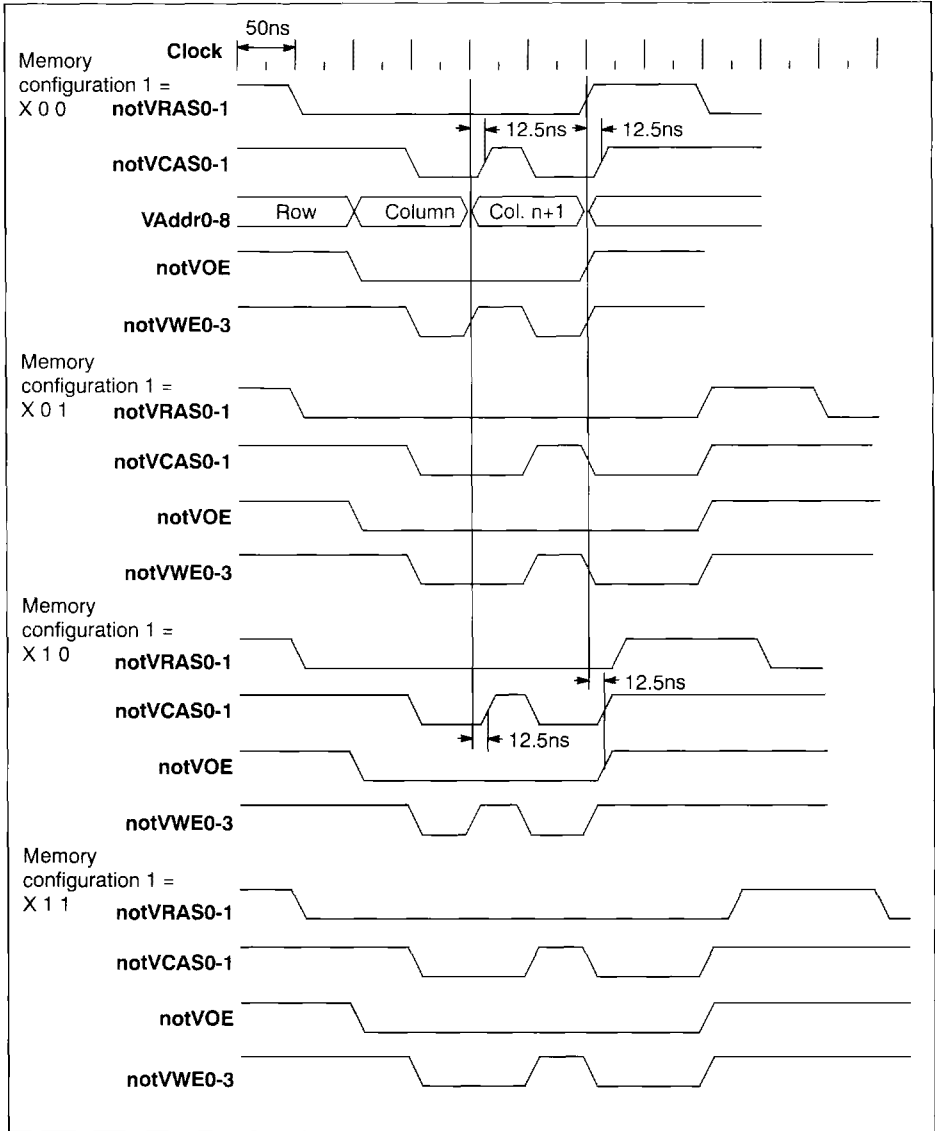


Figure 22.31 Page mode cycles - for different Memory configuration 1 settings

Refresh cycles

A CAS-before-RAS refresh cycle is used to refresh the VRAMs. The cycle can be extended by setting memory parameter index 1 (bit 3), thus extending the RAS/CAS active time by 50ns. The following diagram shows the timings for different settings of the **memory configuration 1 register** (index 1).

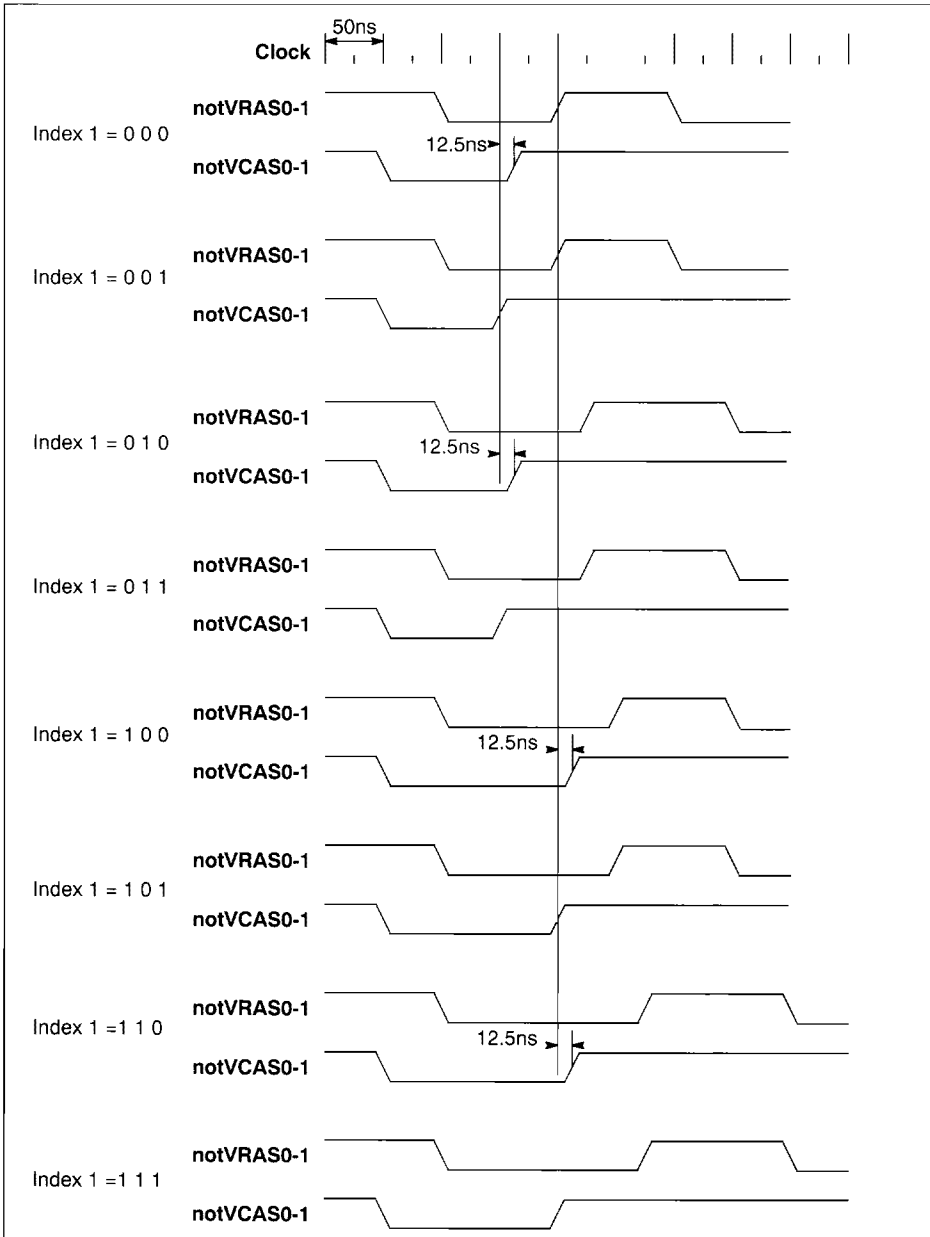


Figure 22.32 Refresh cycle timings for different settings of Memory configuration 1 register

Referencing of VRAM timings to the IMS G201 processor clock

As stated previously, all accesses on the random read/write port of the VRAMs are timed by and synchronous to the IMS G201 processor clock (Clk). Table 22.21 gives the absolute position of these strobes with respect to this clock.

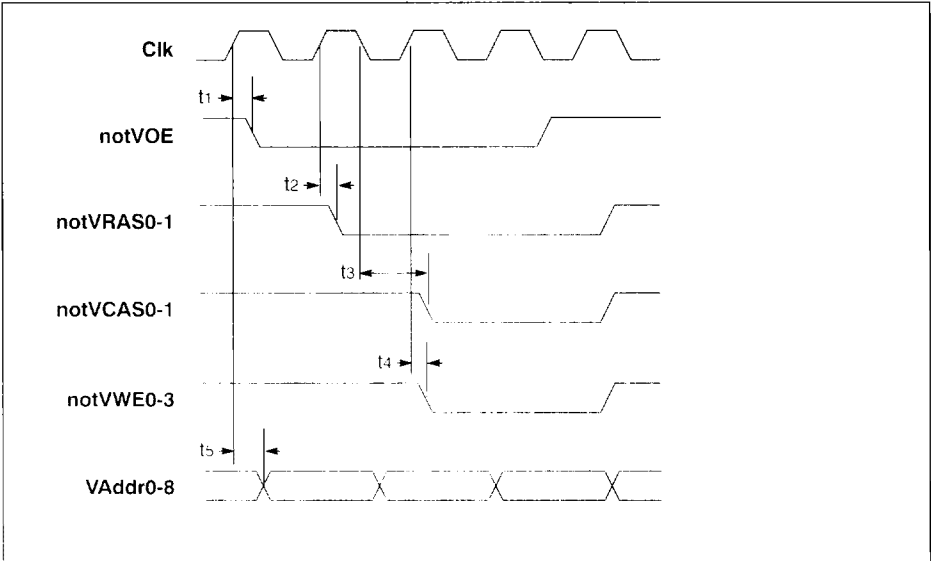


Figure 22.33 Referencing of VRAM timings to the IMS G201 processor clock

| Symbol | Parameter | Min | Max | Unit | Notes |
|--------|-------------------|-----|-----|------|-------|
| t1 | Clk to notVOE | 10 | 45 | ns | |
| t2 | Clk to notVRAS0-1 | 10 | 38 | ns | |
| t3 | Clk to notVCAS0-1 | 10 | 30 | ns | |
| t4 | Clk to notVWE0-3 | 10 | 20 | ns | |
| t5 | Clk to VAddr0-8 | 10 | 50 | ns | |

Table 22.21 VRAM timings

Transfer cycle timings

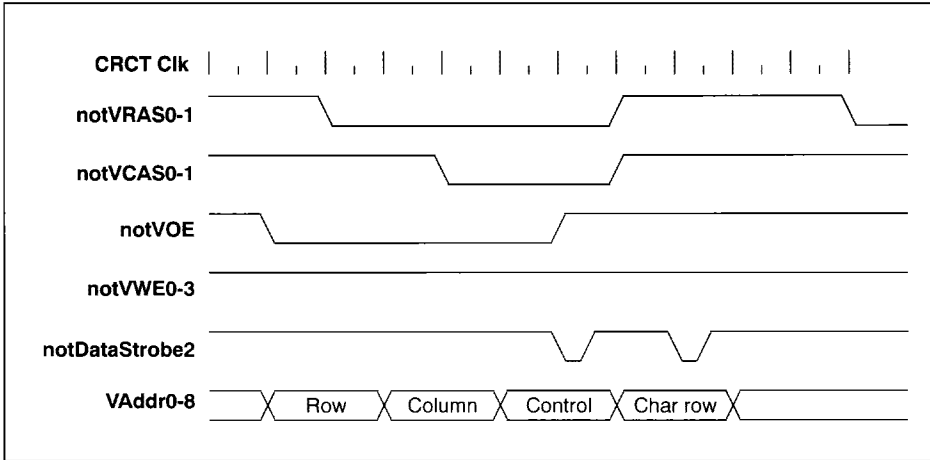


Figure 22.34 SAM load timing – basic transfer cycle

VRAM serial port interface timings

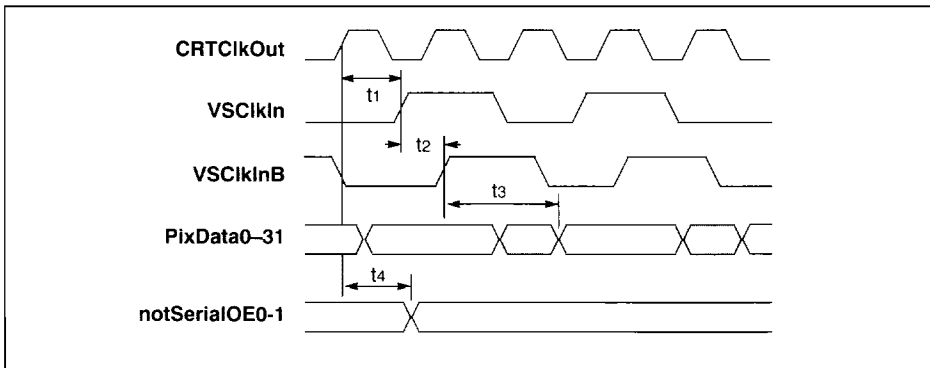


Figure 22.35 VRAM serial port interface timings diagram (see note 1, Table 22.22)

| Symbol | Parameter | Min | Max | Units | Notes |
|--------|---|-----|------|-------|-------|
| t1 | CRTClkOut high to VSClkIn high | - | 25.6 | ns | 1 |
| t2 | On-card buffer delay | - | 7.0 | ns | 1 |
| t3 | VRAM access time | - | 35.0 | ns | 1 |
| t4 | IMS G191 CRTClkOut to IMS G201 notSerialOE0-1 | - | 28.0 | ns | 1 |

Note:

1 CRTClkOut, VSClkIn, VSClkInB and PixData0-31 refer to IMS G191 pins

Table 22.22 VRAM serial port interface timings

22.12.3 IMS G191 interface timings

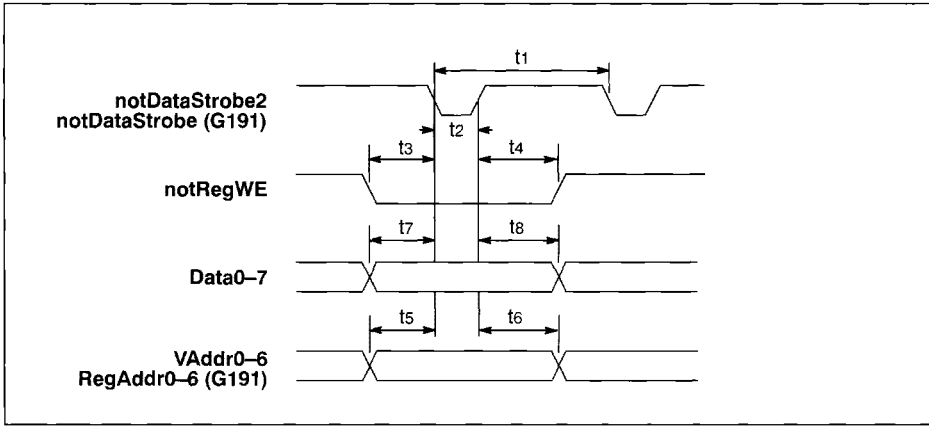


Figure 22.36 Write to IMS G191 register

| Symbol | Parameter | Min | Max | Units | Notes |
|--------|--|-------|-----|-------|-------|
| t1 | notDataStrobe2 period - fast access | 250.0 | | ns | |
| | notDataStrobe2 period - slow access | 500.0 | | ns | |
| | notDataStrobe2 period - control codes | 40.0 | | ns | |
| t2 | notDataStrobe2 width - fast access | 100.0 | | ns | |
| | notDataStrobe2 width - slow access | 150.0 | | ns | |
| | notDataStrobe2 width - control codes | 20.0 | | ns | |
| t3 | notRegWE set up to notDataStrobe2 | 50.0 | | ns | |
| t4 | notRegWE hold after notDataStrobe2 | 40.0 | | ns | |
| t5 | VAddr0-6 set up to notDataStrobe2 | 40.0 | | ns | |
| t6 | VAddr0-6 hold after notDataStrobe2 | 40.0 | | ns | |
| t7 | Data0-7 set up to notDataStrobe2 | 40.0 | | ns | |
| t8 | Data0-7 hold after notDataStrobe2 | 40.0 | | ns | |

Table 22.23 Write to IMS G191 register timings

Read from G191 register timings

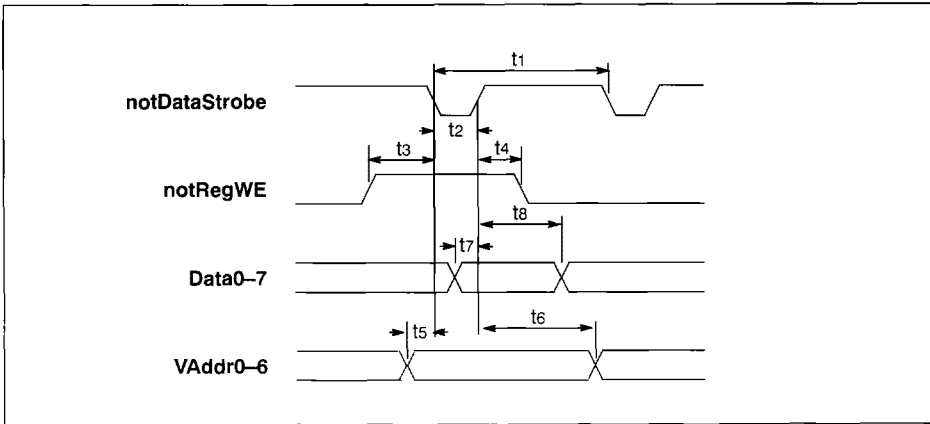


Figure 22.37 Read from IMS G191 register

| Symbol | Parameter | Min | Max | Units | Notes |
|--------|--|-------|-----|-------|-------|
| t1 | notDataStrobe2 period - fast access | 250.0 | | ns | |
| | notDataStrobe2 period - slow access | 500.0 | | ns | |
| t2 | notDataStrobe2 width - fast access | 100.0 | | ns | |
| | notDataStrobe2 width - slow access | 150.0 | | ns | |
| t3 | notRegWE set up to notDataStrobe2 | 40.0 | | ns | |
| t4 | notRegWE hold after notDataStrobe2 | 40.0 | | ns | |
| t5 | VAddr0-6 setup to notDataStrobe2 | 40.0 | | ns | |
| t6 | VAddr0-6 hold after notDataStrobe2 | 40.0 | | ns | |
| t7 | Data0-7 read setup | 40.0 | | ns | |
| t8 | Data0-7 hold after notDataStrobe2 | 0.0 | | ns | |

Table 22.24 Read from IMS G191 register timings

22.12.4 CRT controller timings

CRTC clock timings

The CRTC clocks are generated by the IMS G191 and used by the IMS G201 to provide synchronization of signals between the IMS G201, VRAM and the IMS G191. Their frequency is set by bit 0 of the clock frequency select register.

The interface timing requirements of the clocks are given below. **CRTCikIn2** is half the frequency of **CRTCikIn**.

Video control timings

The video control signals (**VideoCtrlOut0-1**) are generated by the IMS G201 from the CRTC clocks and fed back into the IMS G191 via the **VideoCtrlIn0-1** pins.

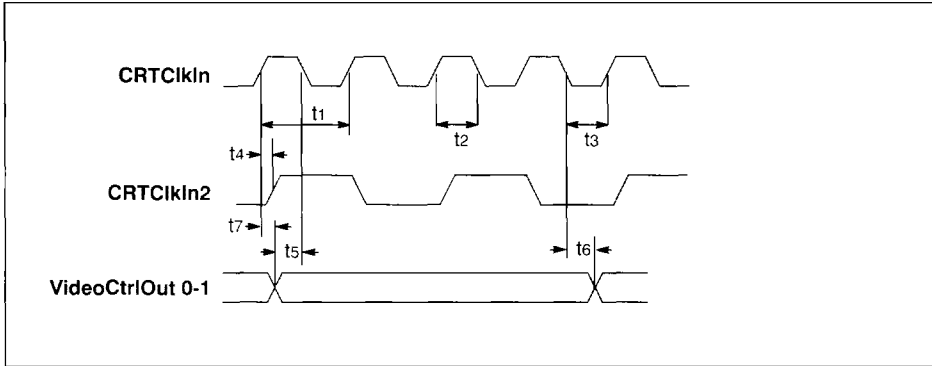


Figure 22.38 CRTC clock and video control timings

| Symbol | Parameter | Min | Max | Units | Notes |
|--------|--|------|------|-------|-------|
| t1 | IMS G191 CRTCikIn period | 22.0 | 50.0 | ns | |
| t2 | IMS G191 CRTCikIn pulse width high | 8.0 | 32.0 | ns | |
| t3 | IMS G191 CRTCikIn pulse width low | 8.0 | 32.0 | ns | |
| t4 | IMS G191 CRTCikIn to CRTCikIn2 delay | -5.0 | 5.0 | ns | |
| t5 | VideoCtrlOut0-1 setup time | 5.0 | - | ns | |
| t6 | VideoCtrlOut0-1 hold time | 12.5 | - | ns | |
| t7 | IMS G191 CRTCikIn to VideoCtrlOut0-1 | | 30.0 | ns | |

Table 22.25 CRTC clock timings

22.12.5 External memory timings for AT bus

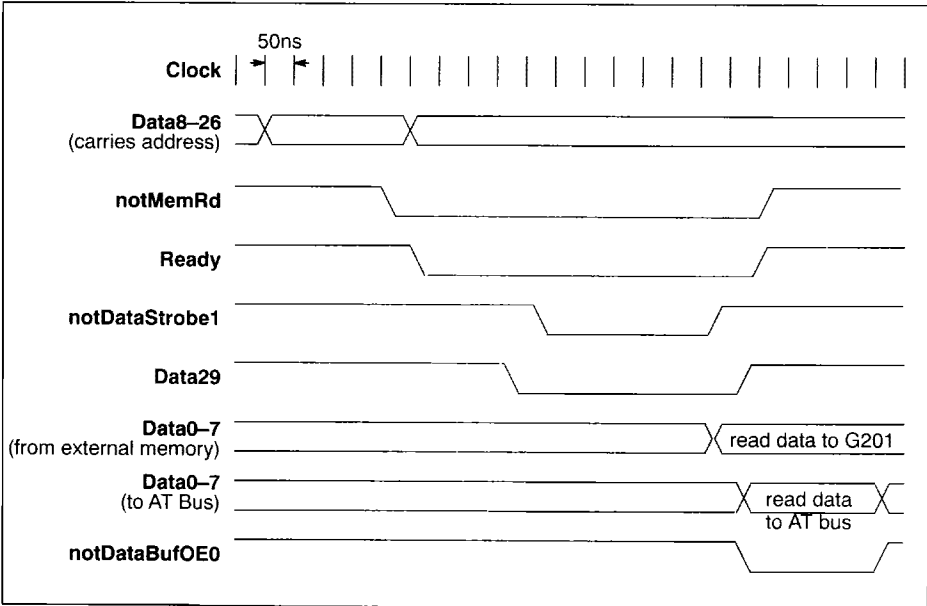


Figure 22.39 Read from external memory

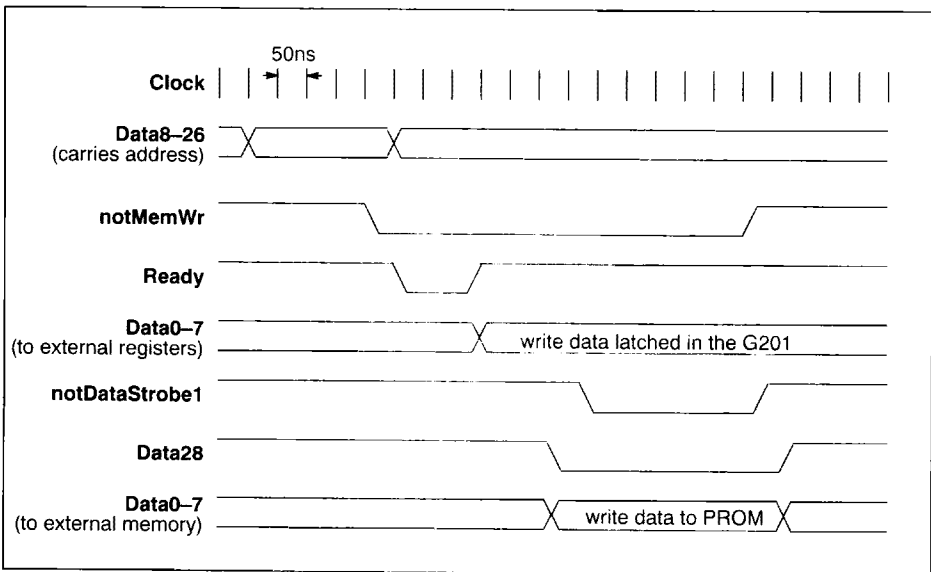


Figure 22.40 Write to external memory

22.12.6 External register timings for AT bus

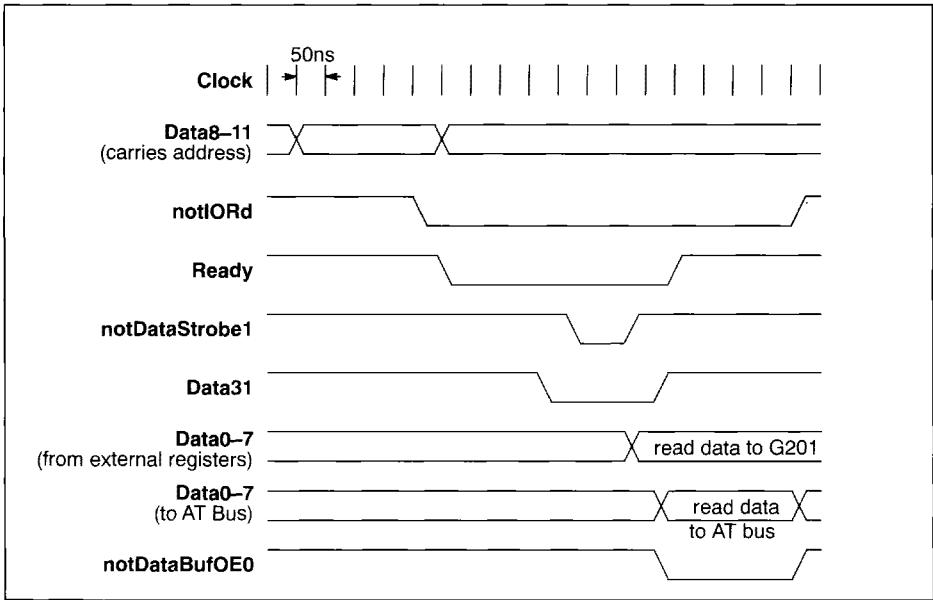


Figure 22.41 Read from external register

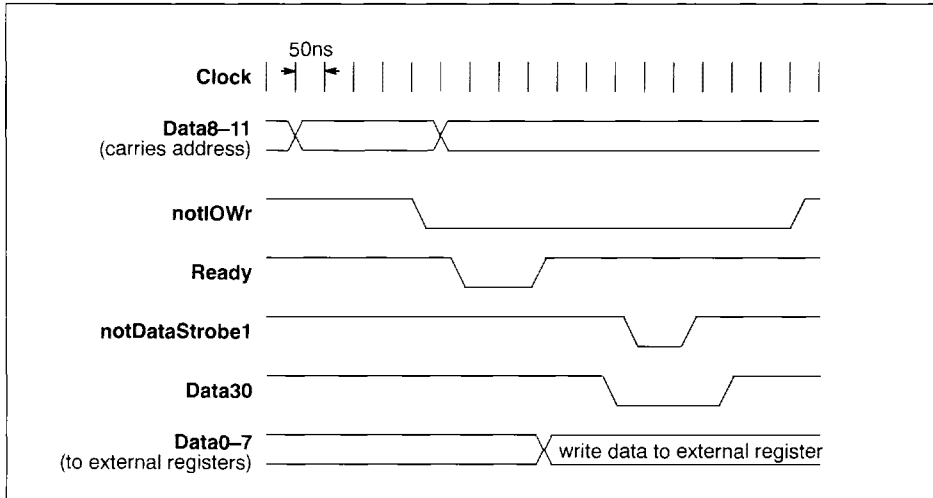


Figure 22.42 Write to external register

22.12.7 External memory timings for Micro Channel

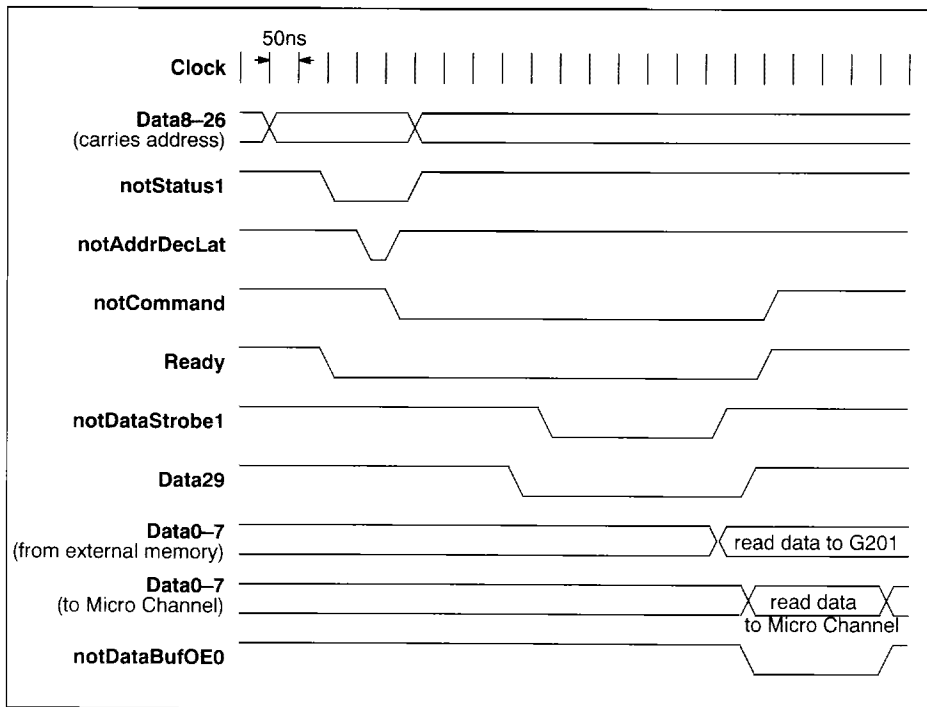


Figure 22.43 Read from external memory

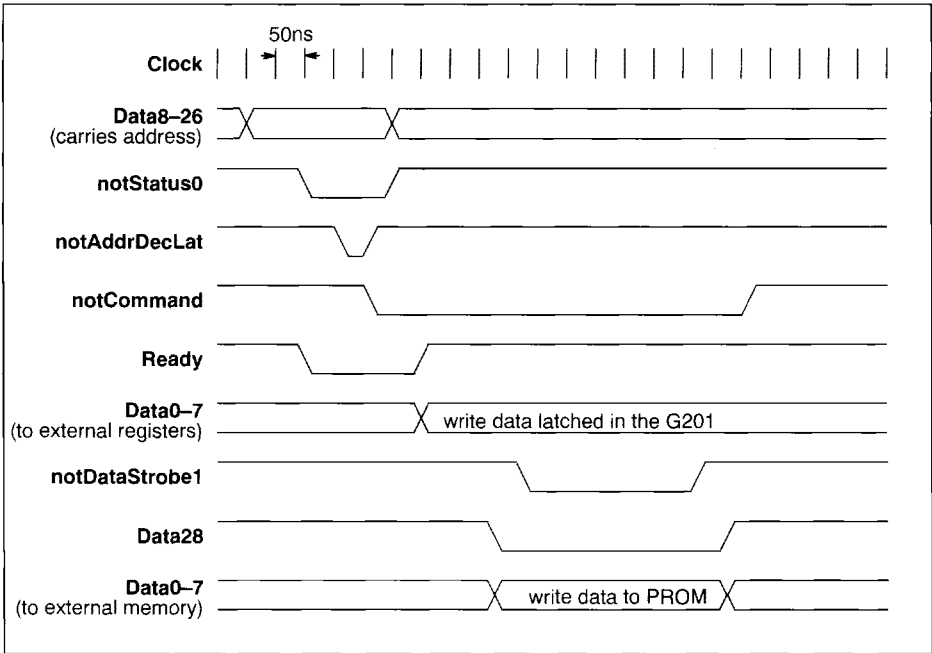


Figure 22.44 Write to external memory

22.12.8 External register timings for Micro Channel

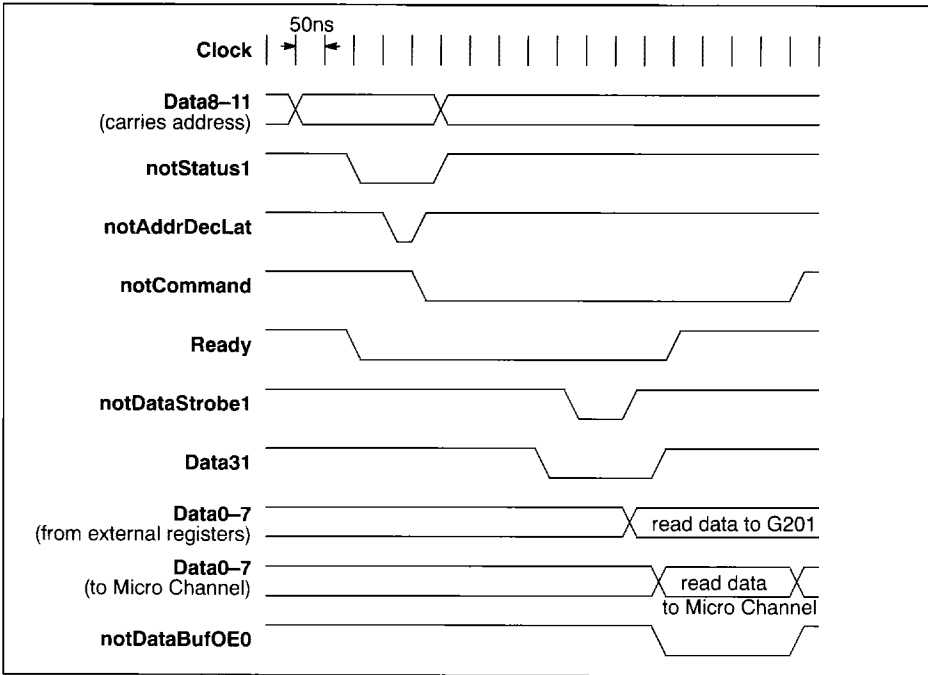


Figure 22.45 Read from external register

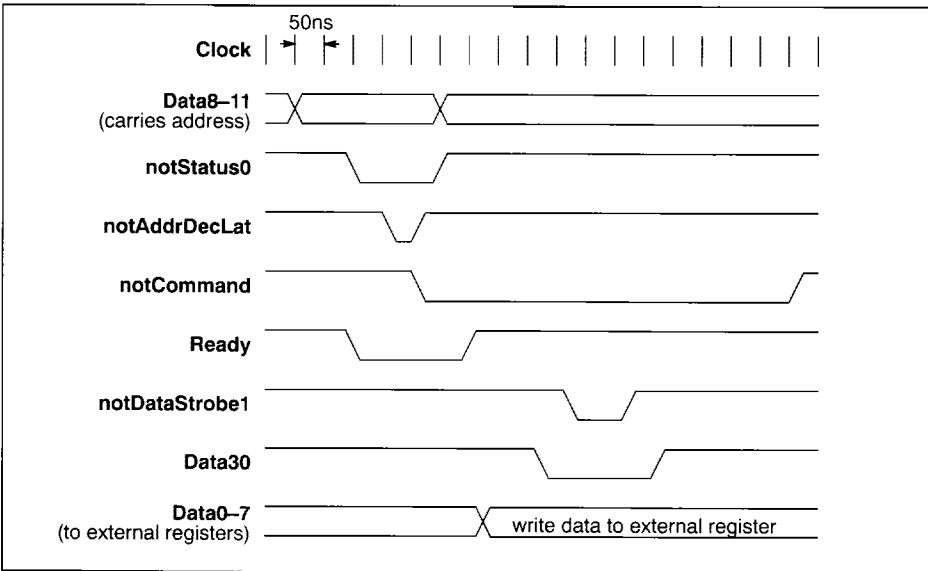


Figure 22.46 Write to external register

22.12.9 Reset timings

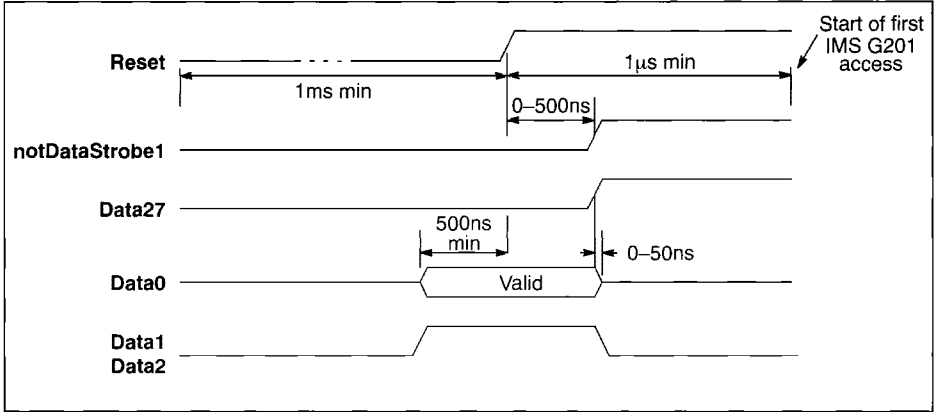


Figure 22.47 Reset timings

22.13 Electrical specifications

22.13.1 Absolute Maximum Ratings

Stresses greater than those listed under 'Absolute maximum ratings' may cause permanent damage to the device. This is a stress rating only and functional operation of the device at these or any other conditions above those indicated in the operational sections of this specification is not implied. Exposure to absolute maximum rating conditions for extended periods may affect reliability.

| Symbol | Parameter | Min | Max | Units |
|----------|------------------------|------|--------------|-------|
| V_{DD} | DC supply Voltage | 0.0 | 7.5 | Volts |
| V_I | Voltage on input pin | -1.0 | $V_{DD}+0.5$ | Volts |
| V_O | Voltage on output pin | -1.0 | $V_{DD}+0.5$ | Volts |
| T_S | Storage temperature | -65 | 150 | °C |
| T_A | Temperature under bias | -55 | 125 | °C |

Table 22.26 Absolute maximum ratings

22.13.2 DC Operating Conditions

| Symbol | Parameter | Min | Max | Units |
|----------|-------------------------|------|--------------|-------|
| V_{DD} | DC supply Voltage | 4.5 | 5.5 | Volts |
| T_A | Temperature under bias | 0 | 70 | °C |
| PD | Power dissipation | | 2 | Watts |
| V_{IH} | Input logic '1' voltage | 2.1 | $V_{DD}+0.5$ | Volts |
| V_{IL} | Input logic '0' voltage | -0.5 | 0.8 | Volts |
| I_{IN} | Digital input current | -10 | +10 | μA |

Table 22.27 DC operating conditions

Worst case timings are applicable only if the device is within the recommended parameters.

22.13.3 Pin output loading characteristics

AT bus mode

| Pin name | CL (pF) | VOH (Volts) | | VOL (Volts) | | IOH (mA) | IOL (mA) | Rs (Ω) | | Islew |
|---|------------|----------------|-----|----------------|-----|-------------|-------------|-----------|-----|--------|
| | Max | Min | Max | Min | Max | Max | Max | Min | Max | Min |
| notMaster notCoProcStatOE15 | 17 | 2.4 | 4.5 | 0.0 | 0.4 | -0.7 | 8.0 | 40 | 50 | Fast |
| notSerialOE0-1 | 17 | 2.4 | 4.5 | 0.0 | 0.4 | -0.7 | 8.0 | 40 | 50 | Medium |
| notIRQ notDataBufOE0-1 CoProcStat | 17 | 2.4 | 4.5 | 0.0 | 0.4 | -0.7 | 8.0 | 40 | 50 | Slow |
| notIOCardSel16 notMemCardSel16 | 90 | 2.4 | 4.5 | 0.0 | 0.5 | -1.3 | 24.0 | - | - | - |
| VideoCtrlOut0-1 notDataStrobe2 | 22 | 2.4 | 4.5 | 0.0 | 0.4 | -0.7 | 8.0 | 40 | 50 | Medium |
| MonHSync | 22 | 2.4 | 4.5 | 0.0 | 0.4 | -0.7 | 8.0 | 40 | 50 | Slow |
| Addr0-19 UnLatAddr17-23 | 24 | 2.4 | 4.5 | 0.0 | 0.4 | -1.5 | 4.0 | 40 | 50 | Medium |
| notSysByteHiEn | 24 | 2.4 | 4.5 | 0.0 | 0.4 | -1.5 | 4.0 | 40 | 50 | Slow |
| DmaReq5-7 notMemWr notMemRd | 240 | 2.4 | 4.5 | 0.0 | 0.5 | -1.3 | 24.0 | - | - | - |
| notCoProcStatOE7 | 17 | 2.4 | 4.5 | 0.0 | 0.5 | -1.3 | 24.0 | - | - | - |
| notVRAS0-1 | 24 | 2.4 | 4.5 | 0.0 | 0.4 | -0.7 | 8.0 | 40 | 50 | Slow |
| notVWE0-3 | 28 | 2.4 | 4.5 | 0.0 | 0.4 | -0.7 | 8.0 | 40 | 50 | Medium |
| notVCAS0-1 notVOE | 28 | 2.4 | 4.5 | 0.0 | 0.4 | -1.5 | 4.0 | 40 | 50 | Fast |
| VAddr0-8 | 33 | 2.4 | 4.5 | 0.0 | 0.4 | -0.7 | 8.0 | 40 | 50 | Slow |
| VStrobeOut | 36 | 2.4 | 4.5 | 0.0 | 0.4 | -1.5 | 4.0 | 40 | 50 | Fast |
| Ready | 40 | 2.4 | 4.5 | 0.0 | 0.4 | -0.7 | 8.0 | 40 | 50 | Fast |
| notDataStrobe1 AddrBufDir | 44 | 2.4 | 4.5 | 0.0 | 0.4 | -0.7 | 8.0 | 40 | 50 | Slow |
| DataBufDir | 44 | 2.4 | 4.5 | 0.0 | 0.4 | -0.7 | 8.0 | 40 | 50 | Fast |
| Data0-7 | 85 | 2.4 | 4.5 | 0.0 | 0.4 | -0.7 | 8.0 | 20 | 30 | Fast |
| Data8-31 | 85 | 2.4 | 4.5 | 0.0 | 0.4 | -0.7 | 8.0 | 20 | 30 | Medium |
| MonVSync | 168 | 2.4 | 4.5 | 0.0 | 0.4 | -0.7 | 8.0 | 40 | 50 | Slow |

Table 22.28 Pin output loading characteristics - AT bus mode

Where:

- CL is the maximum load capacitance
- VOH is the high level output voltage
- VOL is the low level output voltage
- IOH is the high level output current
- IOL is the low level output current
- Rs is the termination impedance
- Islew is the current slew rate

Micro Channel bus mode

| Pin name | CL (pF) | VOH (Volts) | | VOL (Volts) | | IOH (mA) | IOL (mA) | Rs (Ω) | | Islew |
|--|------------|----------------|-----|----------------|-----|-------------|-------------|-----------|-----|--------|
| | Max | Min | Max | Min | Max | Max | Max | Min | Max | Min |
| notBurst ArbOut0-3 notIRQ notDataBufOE0-3 CoProcStat | 17 | 2.4 | 4.5 | 0.0 | 0.4 | -0.7 | 8.0 | 40 | 50 | Slow |
| notSerialOE0-1 | 17 | 2.4 | 4.5 | 0.0 | 0.4 | -0.7 | 8.0 | 40 | 50 | Medium |
| notPreemptOut notCoProcStatOE | 17 | 2.4 | 4.5 | 0.0 | 0.4 | -0.7 | 8.0 | 40 | 50 | Fast |
| notCardSelFbk notByteEn0-3 MemnotIO notCommand MemAddrEn24 | 240 | 2.4 | 4.5 | 0.0 | 0.5 | -1.3 | 24.0 | - | - | - |
| VideoCtrlOut0-1 notDataStrobe2 | 22 | 2.4 | 4.5 | 0.0 | 0.4 | -0.7 | 8.0 | 40 | 50 | Medium |
| MonHSync | 22 | 2.4 | 4.5 | 0.0 | 0.4 | -0.7 | 8.0 | 40 | 50 | Slow |
| notStatus0-1 | 24 | 2.4 | 4.5 | 0.0 | 0.4 | -1.5 | 4.0 | 40 | 50 | Fast |
| Addr0-31 | 24 | 2.4 | 4.5 | 0.0 | 0.4 | -1.5 | 4.0 | 40 | 50 | Medium |
| notSysByteHiEn | 24 | 2.4 | 4.5 | 0.0 | 0.4 | -1.5 | 4.0 | 40 | 50 | Slow |
| notAddrDecLat | 24 | 2.4 | 4.5 | 0.0 | 0.4 | -0.7 | 8.0 | 40 | 50 | Fast |
| notVRAS0-1 | 24 | 2.4 | 4.5 | 0.0 | 0.4 | -0.7 | 8.0 | 40 | 50 | Slow |
| notVCAS0-1 notVOE | 28 | 2.4 | 4.5 | 0.0 | 0.4 | -1.5 | 4.0 | 40 | 50 | Fast |
| notVWE0-3 | 28 | 2.4 | 4.5 | 0.0 | 0.4 | -0.7 | 8.0 | 40 | 50 | Medium |
| notStrDatStb | 33 | 2.4 | 4.5 | 0.0 | 0.4 | -0.7 | 8.0 | 40 | 50 | Fast |
| VAddr0-8 | 33 | 2.4 | 4.5 | 0.0 | 0.4 | -0.7 | 8.0 | 40 | 50 | Slow |
| VSClkOut | 36 | 2.4 | 4.5 | 0.0 | 0.4 | -1.5 | 4.0 | 40 | 50 | Fast |
| Ready | 40 | 2.4 | 4.5 | 0.0 | 0.4 | -0.7 | 8.0 | 40 | 50 | Fast |
| notDataStrobe1 AddrBufDir | 44 | 2.4 | 4.5 | 0.0 | 0.4 | -0.7 | 8.0 | 40 | 50 | Slow |
| DataBufDir | 44 | 2.4 | 4.5 | 0.0 | 0.4 | -0.7 | 8.0 | 40 | 50 | Fast |
| Data0-7 | 85 | 2.4 | 4.5 | 0.0 | 0.4 | -0.7 | 8.0 | 20 | 30 | Fast |
| Data8-31 | 85 | 2.4 | 4.5 | 0.0 | 0.4 | -0.7 | 8.0 | 20 | 30 | Medium |
| MonVSync | 168 | 2.4 | 4.5 | 0.0 | 0.4 | -0.7 | 8.0 | 40 | 50 | Slow |

Table 22.29 Pin output loading characteristics - Micro Channel bus mode

Where:

- CL is the maximum load capacitance
- VOH is the high level output voltage
- VOL is the low level output voltage
- IOH is the high level output current
- IOL is the low level output current
- Rs is the termination impedance
- Islew is the current slew rate

22.14 Package specifications

22.14.1 208 pin plastic flat pack package dimensions

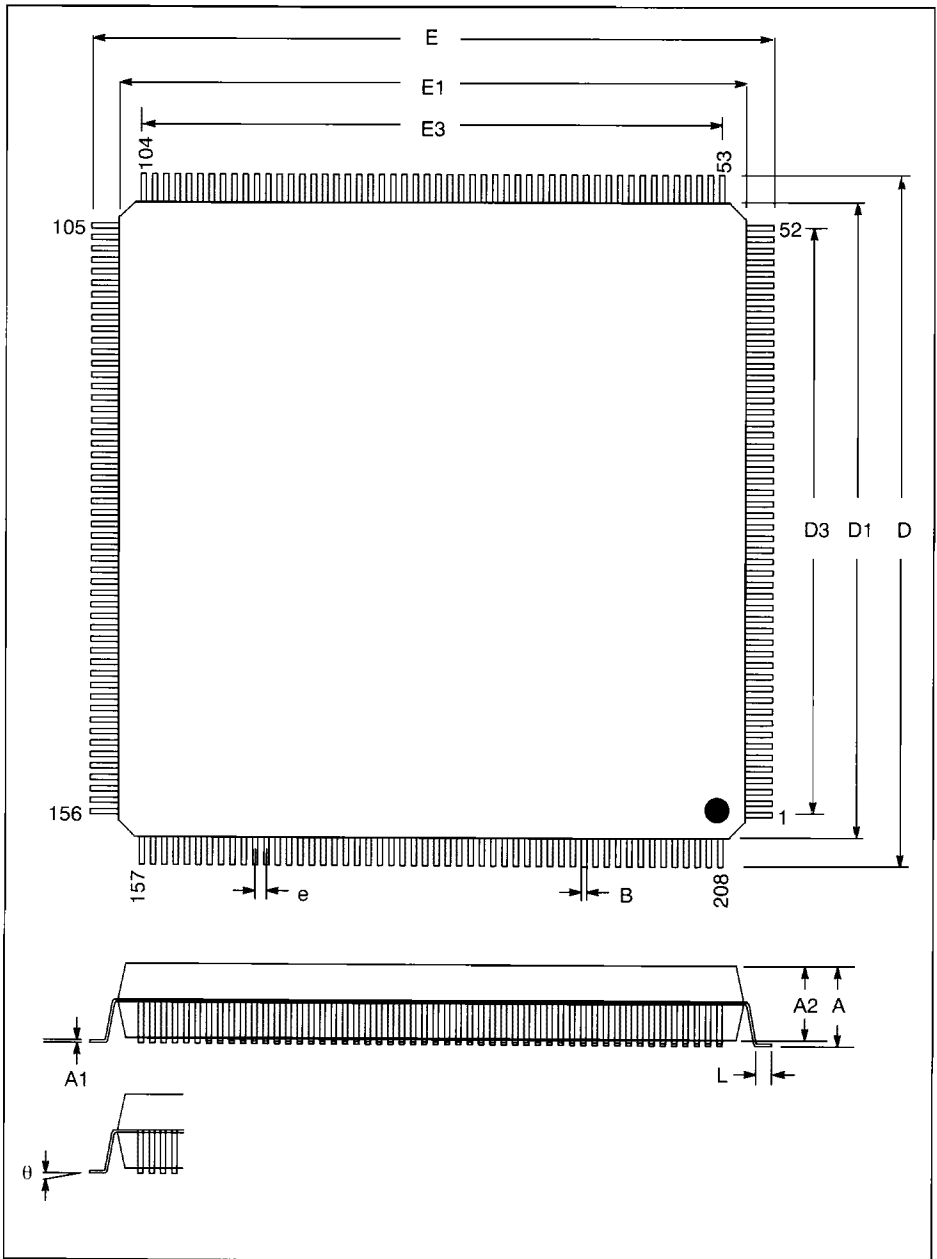


Figure 22.48 208 lead plastic quad flat pack

| DIM | Millimeters | | | Inches | | | Notes |
|----------------|-------------|-------|-------|--------|--------|--------|-------|
| | MIN | NOM | MAX | MIN | NOM | MAX | |
| A | | | 4.200 | | | 0.165 | Ref. |
| A ₁ | 0.120 | 0.160 | 0.200 | 0.0047 | 0.0063 | 0.0079 | |
| A ₂ | | 3.40 | | | 0.134 | | |
| D | 30.40 | 30.60 | 30.80 | 1.197 | 1.205 | 1.213 | |
| D ₁ | 27.80 | 28.00 | 28.20 | 1.094 | 1.102 | 1.110 | |
| E | 30.40 | 30.60 | 30.80 | 1.197 | 1.205 | 1.213 | |
| E ₁ | 27.80 | 28.00 | 28.20 | 1.094 | 1.102 | 1.110 | |
| L | 0.400 | 0.500 | 0.600 | 0.016 | 0.02 | 0.024 | BSC |
| e | | 0.50 | | | 0.02 | | |
| B | 0.180 | 0.230 | 0.280 | 0.007 | 0.009 | 0.011 | |
| θ | | 0° | 5° | | | | |

Table 22.30 208 lead plastic quad flat pack

22.14.2 IMS G201 AT bus package pinout

208 pin plastic quad flatpack package

The IMS G201 AT bus package pinout referenced by pin number is given in Table 22.31. The IMS G201 AT bus package pinout referenced by signal name is given in Table 22.32.

| Pin | Signal | Pin | Signal | Pin | Signal | Pin | Signal |
|-----|-----------------|-----|------------------|-----|----------------|-----|-------------------|
| 1 | VDD | 53 | notMemCardSel16 | 105 | VDD | 157 | HoldToVDD |
| 2 | GND | 54 | HoldToVDD | 106 | GND | 158 | N/C |
| 3 | DataBufDir | 55 | VDD | 107 | CRTClkin | 159 | HoldToGND |
| 4 | notDataBufOE0 | 56 | GND | 108 | CRTClkin2 | 160 | HoldToGND |
| 5 | notDataBufOE1 | 57 | Addr0 | 109 | Clk | 161 | VDD |
| 6 | N/C | 58 | Addr1 | 110 | VideoCtrlOut0 | 162 | GND |
| 7 | N/C | 59 | Addr2 | 111 | VideoCtrlOut1 | 163 | Data31 |
| 8 | VDD | 60 | Addr3 | 112 | VDD | 164 | Data30 |
| 9 | GND | 61 | Addr4 | 113 | GND | 165 | Data29 |
| 10 | N/C | 62 | VDD | 114 | VSClkOut | 166 | VDD |
| 11 | N/C | 63 | GND | 115 | notSerialOE0 | 167 | GND |
| 12 | notSysMemWr | 64 | Addr5 | 116 | notSerialOE1 | 168 | Data28 |
| 13 | N/C | 65 | Addr6 | 117 | notDataStrobe1 | 169 | Data27 |
| 14 | notSysByteHiEn | 66 | Addr7 | 118 | notDataStrobe2 | 170 | Data26 |
| 15 | notRefresh | 67 | Addr8 | 119 | MonVSync | 171 | Data25 |
| 16 | AddrEn | 68 | Addr9 | 120 | MonHSync | 172 | Data24 |
| 17 | notSysMemRd | 69 | Addr10 | 121 | N/C | 173 | Data23 |
| 18 | GND | 70 | GND | 122 | N/C | 174 | GND |
| 19 | N/C | 71 | Addr11 | 123 | N/C | 175 | Data22 |
| 20 | Reset | 72 | Addr12 | 124 | GND | 176 | Data21 |
| 21 | notIOCardSel16 | 73 | Addr13 | 125 | VAddr8 | 177 | Data20 |
| 22 | Ready | 74 | Addr14 | 126 | VAddr7 | 178 | Data19 |
| 23 | N/C | 75 | Addr15 | 127 | VAddr6 | 179 | Data18 |
| 24 | notMemRd | 76 | Addr16 | 128 | VAddr5 | 180 | Data17 |
| 25 | notMemWr | 77 | Addr17 | 129 | VAddr4 | 181 | Data16 |
| 26 | VDD | 78 | VDD | 130 | VDD | 182 | VDD |
| 27 | GND | 79 | GND | 131 | GND | 183 | GND |
| 28 | notIORd | 80 | Addr18 | 132 | VAddr3 | 184 | Data15 |
| 29 | notIOWr | 81 | Addr19 | 133 | VAddr2 | 185 | Data14 |
| 30 | notChannelCheck | 82 | Addr20 | 134 | VAddr1 | 186 | Data13 |
| 31 | notDmaAck5 | 83 | UnLatAddr21 | 135 | VAddr0 | 187 | Data12 |
| 32 | N/C | 84 | UnLatAddr22 | 136 | GND | 188 | Data11 |
| 33 | DmaReq3 | 85 | UnLatAddr23 | 137 | notVWE3 | 189 | Data10 |
| 34 | N/C | 86 | UnLatAddr17 | 138 | notVWE2 | 190 | Data9 |
| 35 | GND | 87 | GND | 139 | notVWE1 | 191 | GND |
| 36 | DmaReq2 | 88 | UnLatAddr18 | 140 | notVWE0 | 192 | Data8 |
| 37 | N/C | 89 | UnLatAddr19 | 141 | N/C | 193 | Data7 |
| 38 | DmaReq1 | 90 | notDmaAck0 | 142 | notVOE | 194 | Data6 |
| 39 | N/C | 91 | notDmaAck1 | 143 | N/C | 195 | Data5 |
| 40 | DmaReq0 | 92 | notDmaAck2 | 144 | N/C | 196 | Data4 |
| 41 | notIRQ | 93 | notDmaAck3 | 145 | notVCAS1 | 197 | Data3 |
| 42 | N/C | 94 | VDD | 146 | notVCAS0 | 198 | VDD |
| 43 | notMaster | 95 | GND | 147 | N/C | 199 | GND |
| 44 | VDD | 96 | notDmaAck7 | 148 | VDD | 200 | Data2 |
| 45 | GND | 97 | DmaReq5 | 149 | GND | 201 | Data1 |
| 46 | notDmaAck6 | 98 | DmaReq6 | 150 | N/C | 202 | Data0 |
| 47 | BusAddrLatEn | 99 | DmaReq7 | 151 | notVRAS1 | 203 | VDD |
| 48 | N/C | 100 | notCoProcStatOE7 | 152 | notVRAS0 | 204 | GND |
| 49 | MonSyncOE | 101 | VDD | 153 | GND | 205 | notCoProcStatOE15 |
| 50 | AddrBufDir | 102 | GND | 154 | N/C | 206 | CoProcStat |
| 51 | VDD | 103 | N/C | 155 | N/C | 207 | HoldToGND |
| 52 | GND | 104 | N/C | 156 | N/C | 208 | HoldToGND |

Table 22.31 208 pin package pinout by pin number for AT bus mode

| Signal | Pin | Signal | Pin | Signal | Pin | Signal | Pin |
|--------------|-----|-----------|-----|-------------------|-----|----------------|-----|
| Addr0 | 57 | Data17 | 180 | N/C | 6 | notSysByteHiEn | 14 |
| Addr1 | 58 | Data18 | 179 | N/C | 7 | notSysMemRd | 17 |
| Addr2 | 59 | Data19 | 178 | N/C | 10 | notSysMemWr | 12 |
| Addr3 | 60 | Data20 | 177 | N/C | 11 | notVCAS0 | 146 |
| Addr4 | 61 | Data21 | 176 | N/C | 13 | notVCAS1 | 145 |
| Addr5 | 64 | Data22 | 175 | N/C | 19 | notVOE | 142 |
| Addr6 | 65 | Data23 | 173 | N/C | 23 | notVRAS0 | 152 |
| Addr7 | 66 | Data24 | 172 | N/C | 32 | notVRAS1 | 151 |
| Addr8 | 67 | Data25 | 171 | N/C | 34 | notVWE0 | 140 |
| Addr9 | 68 | Data26 | 170 | N/C | 37 | notVWE1 | 139 |
| Addr10 | 69 | Data27 | 169 | N/C | 39 | notVWE2 | 138 |
| Addr11 | 71 | Data28 | 168 | N/C | 42 | notVWE3 | 137 |
| Addr12 | 72 | Data29 | 165 | N/C | 48 | Ready | 22 |
| Addr13 | 73 | Data30 | 164 | N/C | 103 | Reset | 20 |
| Addr14 | 74 | Data31 | 163 | N/C | 104 | UnLatAddr17 | 86 |
| Addr15 | 75 | GND | 2 | N/C | 121 | UnLatAddr18 | 88 |
| Addr16 | 76 | GND | 9 | N/C | 122 | UnLatAddr19 | 89 |
| Addr17 | 77 | GND | 18 | N/C | 123 | UnLatAddr20 | 82 |
| Addr18 | 80 | GND | 27 | N/C | 141 | UnLatAddr21 | 83 |
| Addr19 | 81 | GND | 35 | N/C | 143 | UnLatAddr22 | 84 |
| AddrBufDir | 50 | GND | 45 | N/C | 144 | UnLatAddr23 | 85 |
| AddrEn | 16 | GND | 52 | N/C | 147 | VAddr0 | 135 |
| BusAddrLatEn | 47 | GND | 56 | N/C | 150 | VAddr1 | 134 |
| Clk | 109 | GND | 63 | N/C | 154 | VAddr2 | 133 |
| CoProcStat | 206 | GND | 70 | N/C | 155 | VAddr3 | 132 |
| CRTClkIn | 107 | GND | 79 | N/C | 156 | VAddr4 | 129 |
| CRTClkIn2 | 108 | GND | 87 | N/C | 158 | VAddr5 | 128 |
| DataBufDir | 3 | GND | 95 | notChannelCheck | 30 | VAddr6 | 127 |
| DmaReq0 | 40 | GND | 102 | notCoProcStatOE7 | 100 | VAddr7 | 126 |
| DmaReq1 | 38 | GND | 106 | notCoProcStatOE15 | 205 | VAddr8 | 125 |
| DmaReq2 | 36 | GND | 113 | notDataBufOE0 | 4 | VDD | 1 |
| DmaReq3 | 33 | GND | 124 | notDataBufOE1 | 5 | VDD | 8 |
| DmaReq5 | 97 | GND | 131 | notDataStrobe1 | 117 | VDD | 26 |
| DmaReq6 | 98 | GND | 136 | notDataStrobe2 | 118 | VDD | 44 |
| DmaReq7 | 99 | GND | 149 | notDmaAck0 | 90 | VDD | 51 |
| Data0 | 202 | GND | 153 | notDmaAck1 | 91 | VDD | 55 |
| Data1 | 201 | GND | 162 | notDmaAck2 | 92 | VDD | 62 |
| Data2 | 200 | GND | 167 | notDmaAck3 | 93 | VDD | 78 |
| Data3 | 197 | GND | 174 | notDmaAck5 | 31 | VDD | 94 |
| Data4 | 196 | GND | 183 | notDmaAck6 | 46 | VDD | 101 |
| Data5 | 195 | GND | 191 | notDmaAck7 | 96 | VDD | 105 |
| Data6 | 194 | GND | 199 | notOCARDSel16 | 21 | VDD | 112 |
| Data7 | 193 | GND | 204 | notORd | 28 | VDD | 130 |
| Data8 | 192 | HoldToGND | 159 | notOWr | 29 | VDD | 148 |
| Data9 | 190 | HoldToGND | 160 | notIRQ | 41 | VDD | 161 |
| Data10 | 189 | HoldToGND | 207 | notMaster | 43 | VDD | 166 |
| Data11 | 188 | HoldToGND | 208 | notMemCardSel16 | 53 | VDD | 182 |
| Data12 | 187 | HoldToVDD | 54 | notMemRd | 24 | VDD | 198 |
| Data13 | 186 | HoldToVDD | 157 | notMemWr | 25 | VDD | 203 |
| Data14 | 185 | MonHSync | 120 | notRefresh | 15 | VideoCtrlOut0 | 110 |
| Data15 | 184 | MonSyncOE | 49 | notSerialOE0 | 115 | VideoCtrlOut1 | 111 |
| Data16 | 181 | MonVSync | 119 | notSerialOE1 | 116 | VSClkOut | 114 |

Table 22.32 IMS G201 208 pin PQFP AT bus pinout by signal name

22.14.3 IMS G201 Micro Channel bus package pinout

208 pin plastic quad flatpack package

The IMS G201 Micro Channel bus package pinout referenced by pin number is given in Table 22.33. The IMS G201 Micro Channel bus package pinout referenced by signal name is given in Table 22.34.

| Pin | Signal | Pin | Signal | Pin | Signal | Pin | Signal |
|-----|-----------------|-----|-------------|-----|----------------|-----|-----------------|
| 1 | VDD | 53 | MemAddrEn24 | 105 | VDD | 157 | HoldToVDD |
| 2 | GND | 54 | HoldToVDD | 106 | GND | 158 | N/C |
| 3 | DataBufDir | 55 | VDD | 107 | CRTCikIn | 159 | HoldToGND |
| 4 | notDataBufOE0 | 56 | GND | 108 | CRTCikIn2 | 160 | HoldToGND |
| 5 | notDataBufOE1 | 57 | Addr0 | 109 | Cik | 161 | VDD |
| 6 | notDataBufOE2 | 58 | Addr1 | 110 | VideoCtrlOut0 | 162 | GND |
| 7 | notDataBufOE3 | 59 | Addr2 | 111 | VideoCtrlOut1 | 163 | Data31 |
| 8 | VDD | 60 | Addr3 | 112 | VDD | 164 | Data30 |
| 9 | GND | 61 | Addr4 | 113 | GND | 165 | Data29 |
| 10 | N/C | 62 | VDD | 114 | VSCikOut | 166 | VDD |
| 11 | notDSize32Rtn | 63 | GND | 115 | notSerialOE0 | 167 | GND |
| 12 | notStrDatReq1 | 64 | Addr5 | 116 | notSerialOE1 | 168 | Data28 |
| 13 | N/C | 65 | Addr6 | 117 | notDataStrobe1 | 169 | Data27 |
| 14 | notSysByteHiEn | 66 | Addr7 | 118 | notDataStrobe2 | 170 | Data26 |
| 15 | notRefresh | 67 | Addr8 | 119 | MonVSync | 171 | Data25 |
| 16 | notDSize16Rtn | 68 | Addr9 | 120 | MonHSync | 172 | Data24 |
| 17 | notStrDatReq0 | 69 | Addr10 | 121 | N/C | 173 | Data23 |
| 18 | GND | 70 | GND | 122 | N/C | 174 | GND |
| 19 | notStrDatStb | 71 | Addr11 | 123 | N/C | 175 | Data22 |
| 20 | Reset | 72 | Addr12 | 124 | GND | 176 | Data21 |
| 21 | notCardSelFbk | 73 | Addr13 | 125 | VAddr8 | 177 | Data20 |
| 22 | Ready | 74 | Addr14 | 126 | VAddr7 | 178 | Data19 |
| 23 | ReadyRtn | 75 | Addr15 | 127 | VAddr6 | 179 | Data18 |
| 24 | notCommand | 76 | Addr16 | 128 | VAddr5 | 180 | Data17 |
| 25 | MemnotIO | 77 | Addr17 | 129 | VAddr4 | 181 | Data16 |
| 26 | VDD | 78 | VDD | 130 | VDD | 182 | VDD |
| 27 | GND | 79 | GND | 131 | GND | 183 | GND |
| 28 | notStatus1 | 80 | Addr18 | 132 | VAddr3 | 184 | Data15 |
| 29 | notStatus0 | 81 | Addr19 | 133 | VAddr2 | 185 | Data14 |
| 30 | notChannelCheck | 82 | Addr20 | 134 | VAddr1 | 186 | Data13 |
| 31 | ArbGrant | 83 | Addr21 | 135 | VAddr0 | 187 | Data12 |
| 32 | ArbOut3 | 84 | Addr22 | 136 | GND | 188 | Data11 |
| 33 | ArbIn3 | 85 | Addr23 | 137 | notVWE3 | 189 | Data10 |
| 34 | ArbOut2 | 86 | Addr24 | 138 | notVWE2 | 190 | Data9 |
| 35 | GND | 87 | GND | 139 | notVWE1 | 191 | GND |
| 36 | ArbIn2 | 88 | Addr25 | 140 | notVWE0 | 192 | Data8 |
| 37 | ArbOut1 | 89 | Addr26 | 141 | N/C | 193 | Data7 |
| 38 | ArbIn1 | 90 | Addr27 | 142 | notVOE | 194 | Data6 |
| 39 | ArbOut0 | 91 | Addr28 | 143 | N/C | 195 | Data5 |
| 40 | ArbIn0 | 92 | Addr29 | 144 | N/C | 196 | Data4 |
| 41 | notIRQ | 93 | Addr30 | 145 | notVCAS1 | 197 | Data3 |
| 42 | notBurst | 94 | VDD | 146 | notVCAS0 | 198 | VDD |
| 43 | notPreemptOut | 95 | GND | 147 | N/C | 199 | GND |
| 44 | VDD | 96 | Addr31 | 148 | VDD | 200 | Data2 |
| 45 | GND | 97 | notByteEn0 | 149 | GND | 201 | Data1 |
| 46 | notPreemptIn | 98 | notByteEn1 | 150 | N/C | 202 | Data0 |
| 47 | notAddrDecLat | 99 | notByteEn2 | 151 | notVRAS1 | 203 | VDD |
| 48 | N/C | 100 | notByteEn3 | 152 | notVRAS0 | 204 | GND |
| 49 | MonSyncOE | 101 | VDD | 153 | GND | 205 | notCoProcStatOE |
| 50 | AddrBufDir | 102 | GND | 154 | N/C | 206 | CoProcStat |
| 51 | VDD | 103 | N/C | 155 | N/C | 207 | HoldToGND |
| 52 | GND | 104 | N/C | 156 | N/C | 208 | HoldToGND |

Table 22.33 208 pin package pinout by pin number for Micro Channel bus mode

| Signal name | Pin | Signal name | Pin | Signal name | Pin | Signal name | Pin |
|-------------|-----|-------------|-----|-----------------|-----|----------------|-----|
| Addr0 | 57 | Data6 | 194 | GND | 191 | notRefresh | 15 |
| Addr1 | 58 | Data7 | 193 | GND | 199 | notSerialOE0 | 115 |
| Addr2 | 59 | Data8 | 192 | GND | 204 | notSerialOE1 | 116 |
| Addr3 | 60 | Data9 | 190 | HoldToGND | 159 | notStatus0 | 29 |
| Addr4 | 61 | Data10 | 189 | HoldToGND | 160 | notStatus1 | 28 |
| Addr5 | 64 | Data11 | 188 | HoldToGND | 207 | notStrDatReq0 | 17 |
| Addr6 | 65 | Data12 | 187 | HoldToGND | 208 | notStrDatReq1 | 12 |
| Addr7 | 66 | Data13 | 186 | HoldToVDD | 54 | notStrDatStb | 19 |
| Addr8 | 67 | Data14 | 185 | HoldToVDD | 157 | notSysByteHIEn | 14 |
| Addr9 | 68 | Data15 | 184 | MemAddrEn24 | 53 | notVCAS0 | 146 |
| Addr10 | 69 | Data16 | 181 | MemnotIO | 25 | notVCAS1 | 145 |
| Addr11 | 71 | Data17 | 180 | MonHSync | 120 | notVRAS1 | 151 |
| Addr12 | 72 | Data18 | 179 | MonSyncOE | 49 | notVRAS0 | 152 |
| Addr13 | 73 | Data19 | 178 | MonVSync | 119 | notVWE0 | 140 |
| Addr14 | 74 | Data20 | 177 | N/C | 10 | notVWE1 | 139 |
| Addr15 | 75 | Data21 | 176 | N/C | 13 | notVWE2 | 138 |
| Addr16 | 76 | Data22 | 175 | N/C | 48 | notVWE3 | 137 |
| Addr17 | 77 | Data23 | 173 | N/C | 103 | notVOE | 142 |
| Addr18 | 80 | Data24 | 172 | N/C | 104 | Ready | 22 |
| Addr19 | 81 | Data25 | 171 | N/C | 121 | ReadyRtn | 23 |
| Addr20 | 82 | Data26 | 170 | N/C | 122 | Reset | 20 |
| Addr21 | 83 | Data27 | 169 | N/C | 123 | VAddr0 | 135 |
| Addr22 | 84 | Data28 | 168 | N/C | 141 | VAddr1 | 134 |
| Addr23 | 85 | Data29 | 165 | N/C | 143 | VAddr2 | 133 |
| Addr24 | 86 | Data30 | 164 | N/C | 144 | VAddr3 | 132 |
| Addr25 | 88 | Data31 | 163 | N/C | 147 | VAddr4 | 129 |
| Addr26 | 89 | DataBufDir | 3 | N/C | 150 | VAddr5 | 128 |
| Addr27 | 90 | GND | 2 | N/C | 154 | VAddr6 | 127 |
| Addr28 | 91 | GND | 9 | N/C | 155 | VAddr7 | 126 |
| Addr29 | 92 | GND | 18 | N/C | 156 | VAddr8 | 125 |
| Addr30 | 93 | GND | 27 | N/C | 158 | VDD | 1 |
| Addr31 | 96 | GND | 35 | notAddrDeclat | 47 | VDD | 8 |
| AddrBufDir | 50 | GND | 45 | notBurst | 42 | VDD | 26 |
| ArbGrant | 31 | GND | 52 | notByteEn0 | 97 | VDD | 44 |
| ArbIn0 | 40 | GND | 56 | notByteEn1 | 98 | VDD | 51 |
| ArbIn1 | 38 | GND | 63 | notByteEn2 | 99 | VDD | 55 |
| ArbIn2 | 36 | GND | 70 | notByteEn3 | 100 | VDD | 62 |
| ArbIn3 | 33 | GND | 79 | notCardSelFbk | 21 | VDD | 78 |
| ArbOut0 | 39 | GND | 87 | notChannelCheck | 30 | VDD | 94 |
| ArbOut1 | 37 | GND | 95 | notCommand | 24 | VDD | 101 |
| ArbOut2 | 34 | GND | 102 | notCoProcStatOE | 205 | VDD | 105 |
| ArbOut3 | 32 | GND | 106 | notDataBufOE0 | 4 | VDD | 112 |
| Clk | 109 | GND | 113 | notDataBufOE1 | 5 | VDD | 130 |
| CoProcStat | 206 | GND | 124 | notDataBufOE2 | 6 | VDD | 148 |
| CRTClkIn | 107 | GND | 131 | notDataBufOE3 | 7 | VDD | 161 |
| CRTClkIn2 | 108 | GND | 136 | notDSize16Rtn | 16 | VDD | 166 |
| Data0 | 202 | GND | 149 | notDSize32Rtn | 11 | VDD | 182 |
| Data1 | 201 | GND | 153 | notDataStrobe1 | 117 | VDD | 198 |
| Data2 | 200 | GND | 162 | notDataStrobe2 | 118 | VDD | 203 |
| Data3 | 197 | GND | 167 | notIRQ | 41 | VideoCtrlOut0 | 110 |
| Data4 | 196 | GND | 174 | notPreemptIn | 46 | VideoCtrlOut1 | 111 |
| Data5 | 195 | GND | 183 | notPreemptOut | 43 | VSClkOut | 114 |

Table 22.34 IMS G201 208 pin PQFP Micro Channel bus pinout by signal name

22.15 Ordering information

| Device | Clock rate | Package | Part number |
|----------|------------|--------------------------------|---------------|
| IMS G201 | 40MHz | 208 pin plastic quad flat pack | IMS G201X-40S |

