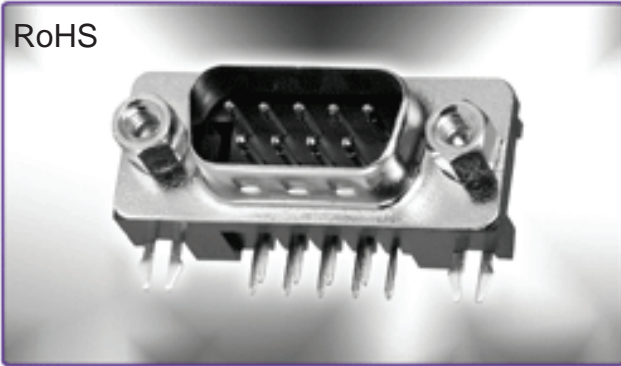


RoHS

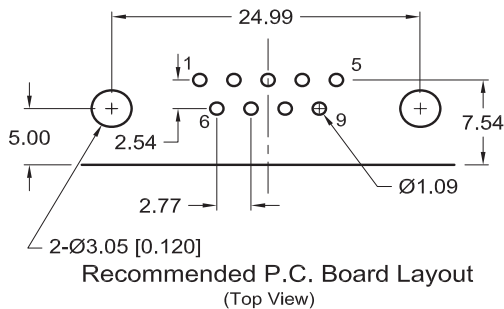
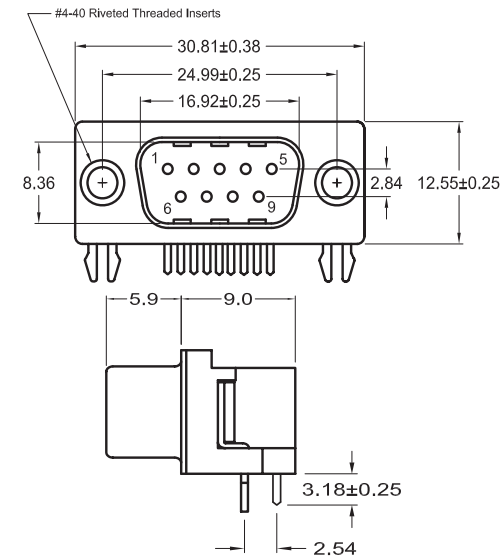


## K11X /K11XHT Series

Compact Right Angle PCB Mount .200" Footprint

### K11X Series Dimensions

Pictured with Grounding Bracket, Dimensions in mm [In]



Shell Size	In				
	mm				
A	A1	B	C		
9 (E)	±.010 ±0.25	±.010 ±0.25	±.005 ±0.13	±.015 ±0.38	
	.642 16.33	.666 16.92	.983 24.99	1.213 30.81	
25 (B)	1.508 38.30	N/A	1.852 47.04	2.088 52.90	

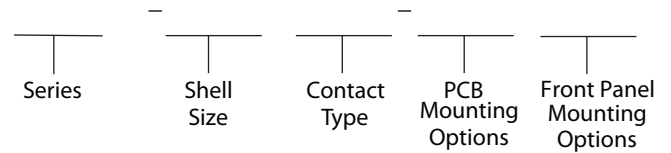
## D-SUBMINIATURE CONNECTORS

### K11X/K11XHT Series

#### Documentation & Ordering Information


Kycon Part #

#### Part Number Builder



#### Series

K11X - .200" Compact Footprint

K11XHT - High Temp .200" Compact Footprint

#### Shell Size-Contact Option

E - 9 Contacts (Available only with Plug Contact)

B - 25 Contacts ( Available only with Socket Contact )

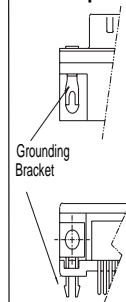
#### Contact Type

P - Pin Contact (Plug)

S - Socket Contact (Receptacle)

#### PC Board Mounting Option

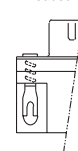
##### N Option



#### Front Panel Mounting Option

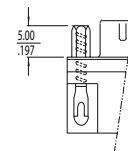
##### Standard

(4-40)Riveted Threaded Insert



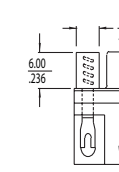
##### J Option

(4-40)Riveted Threaded Insert with 4-40 Hex. JS1000 Jack Screws Installed to Connector



##### R Option

(4-40) Round Jack Screws Riveted to Connector



Contact Kycon for other Options