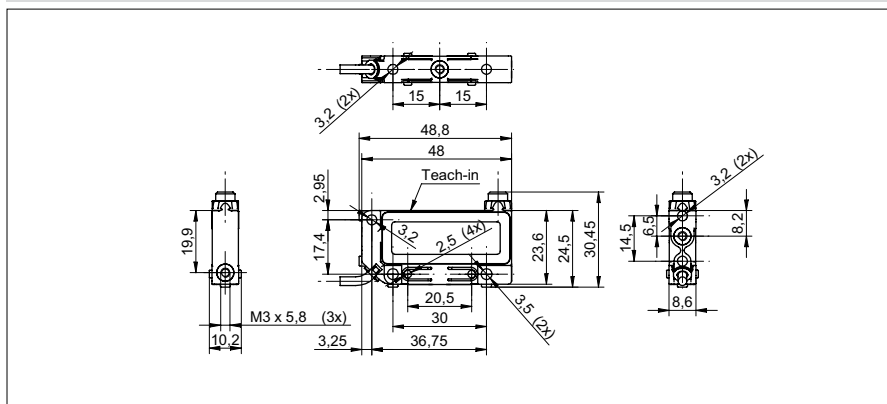


Ultrasonic retro-reflective sensors

URDK 09

sample drawing



general data

scanning range s_d	0 ... 200 mm
reflector position S_{de}	60 ... 200 mm
adjusting range reflector (operating range)	$\pm 2,5 \% S_{de}$
adjusting range reflector (limit range)	$\pm 5 \% S_{de}$
repeat accuracy	$< 1,5$ mm
alignment aid	target indication flashing
temperature drift	$< 2 \% S_{de}$
response time t_{on}	< 7 ms
release time t_{off}	< 7 ms
sonic frequency	380 kHz
output indicator	green LED / red LED
adjustment	Teach-in

electrical data

voltage supply range $+V_s$	12 ... 30 VDC
current consumption max.	35 mA
output circuit	push-pull
output current	< 100 mA
voltage drop V_d	< 2 VDC
residual ripple	$< 10 \% V_s$
short circuit protection	yes
reverse polarity protection	yes

mechanical data

width / diameter	8,6 mm
height / length	48,8 mm
depth	30,5 mm
type	rectangular
housing material	PA 12

ambient conditions

operating temperature	0 ... $+60$ °C
protection class	IP 67

order reference

URDK 09G8914

URDK 09G8914/KS35A

connection types

cable, 2 m

flylead connector M8, L=200 mm

sample picture

