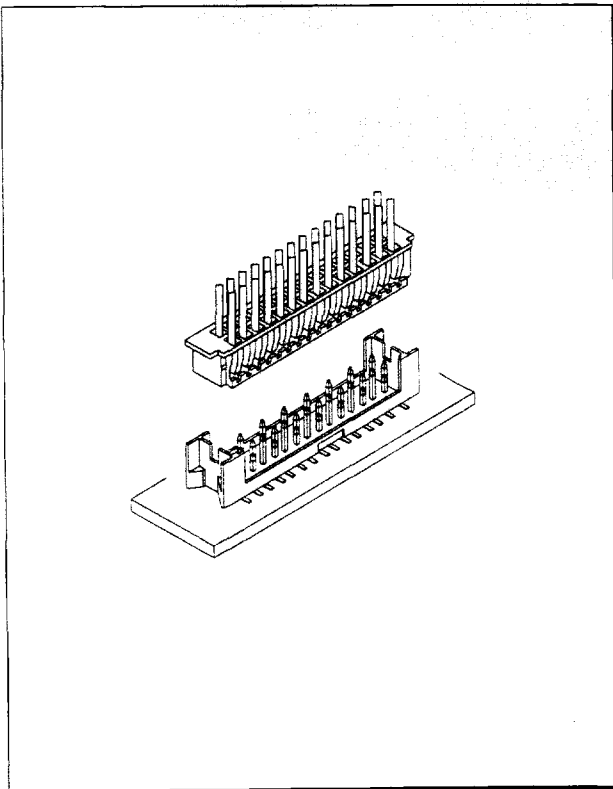


Features

- ◆1262 Housing:
 - Available in 10,20,30 and 40 circuits
 - Nylon 6/6 UL94V-0
 - Accepts Leoco 1261 crimp terminal
 - Mates with Leoco 1262 header
- ◆1262 Header:
 - Available in 10,20,30 and 40 circuits
 - Housing:Nylon 6T, UL94V-0
 - Cap:Nylon 6T, UL94V-0
 - Contact:Copper alloy
 - Tab:Copper alloy
 - Mates with Leoco 1262 socket
- ◆1261 Terminal:
 - Use in Leoco 1262 series socket
 - Contact:phosphor bronze



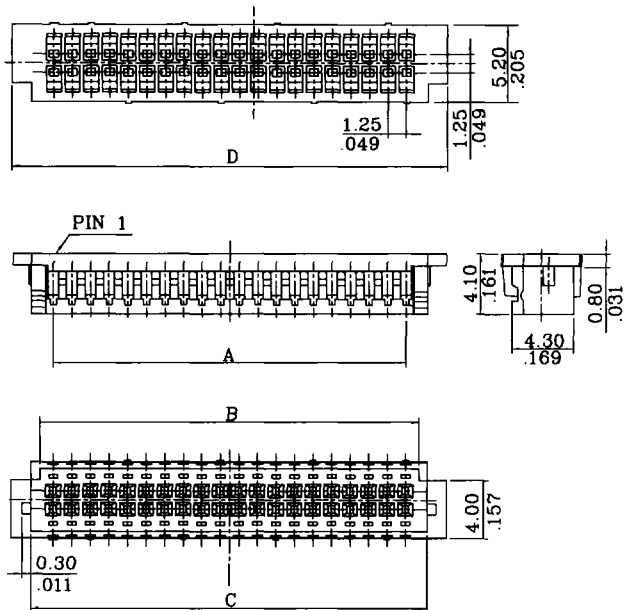
Specifications

- ◆Current rating: 1A
- ◆Voltage rating: 125V DC
- ◆Temperature rating: -30°C ~ +85°C
- ◆Contact resistance:30mΩ max.
- ◆Insulation resistance:500MΩ min.
- ◆Withstanding voltage: 500V AC/minute.
- ◆Applicable wire: AWG26 to 30

1262 Series 1.25mm(.049") Crimp Type Socket



Unit : $\frac{\text{mm}}{\text{inch}}$



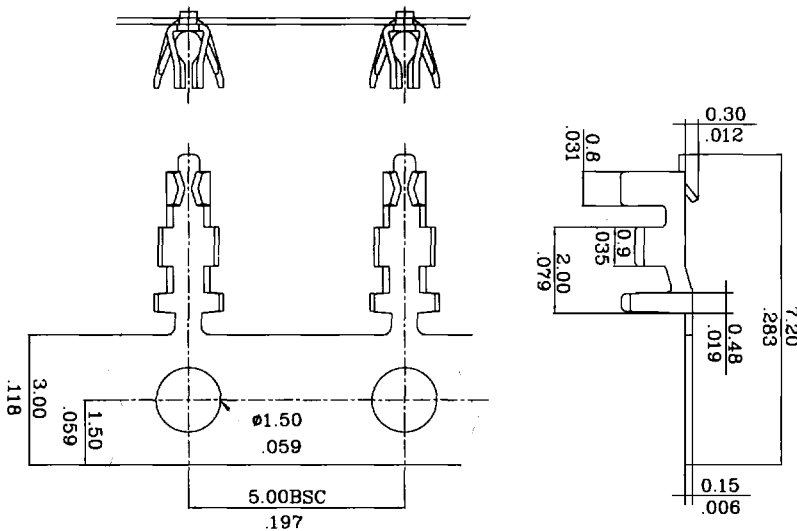
Dimensional & Ordering Information:

Circuits	Part No.	Dimension			
		A	B	C	D
10	1262S10000A	5.00 (.196)	6.50 (.255)	8.00 (.315)	10.40 (.409)
20	1262S20000A	11.25 (.442)	12.75 (.502)	14.25 (.561)	16.65 (.655)
30	1262S30000A	17.50 (.689)	19.00 (.748)	20.50 (.807)	22.90 (.901)
40	1262S40000A	25.75 (1.013)	25.25 (.994)	26.75 (1.053)	29.15 (1.147)

1261 Series 1.25mm(.049") Crimp Terminal



Unit : $\frac{\text{mm}}{\text{inch}}$



Ordering Information:

1261TPB * 000
1

1. 0 =T/L Plated
U = Gold plated

Specifications & Ordering Information:

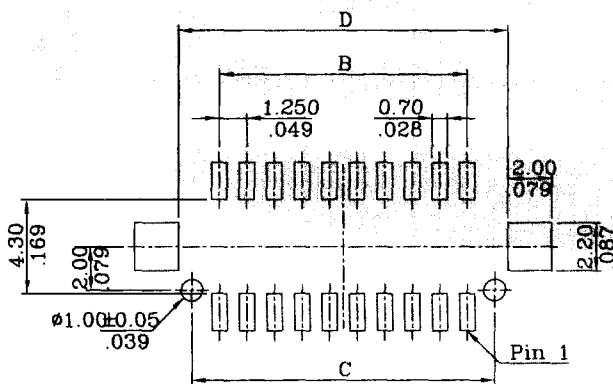
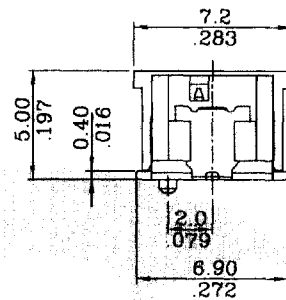
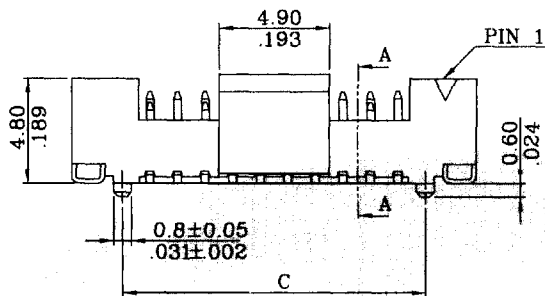
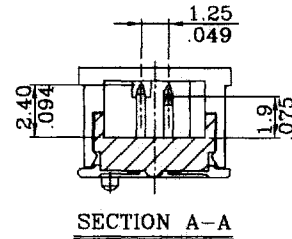
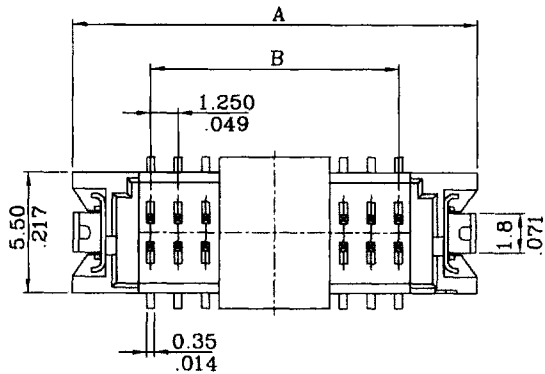
Part No.	Wire Ranges	Insulation Diameter	Reel Q'ty	Tooling
1261TPB*000	AWG 26 ~ 30	1.56 (.061) MAX.	12,000PCS	CCD-1261R01

1262 Series 1.25mm(.049") Header



Unit : $\frac{\text{mm}}{\text{inch}}$

A



RECOMMENDED HOLE PATTERN

Ordering Information:

1262P ** 0 * * A
1 2 3 4 5 6

1. Series No.
2. No. of circuits
(10, 20, 30 & 40 Contacts)
3. 0=Dual Row SMT type
4. Plating:
0=T/L plated 120 μ " (min) over 30 μ " nickel overall
F=Selective gold over 30 μ " nickel overall
5. Packaging:
0=With Tube
1=With Tape & Reel
6. No. Symbol:
A=With Guide Post

Dimensional & Ordering Information:

Circuits	Part No.	Dimension			
		A	B	C	D
10	1262P1000*A	12.10(.476)	5.00(.197)	7.50(.295)	8.70(.343)
20	1262P2000*A	18.35(.722)	11.25(.443)	13.75(.541)	14.95(.589)
30	1262P3000*A	24.60(.969)	17.50(.689)	20.00(.787)	21.20(.835)
40	1262P4000*A	30.85(1.215)	23.75(.935)	26.25(1.033)	27.45(1.081)