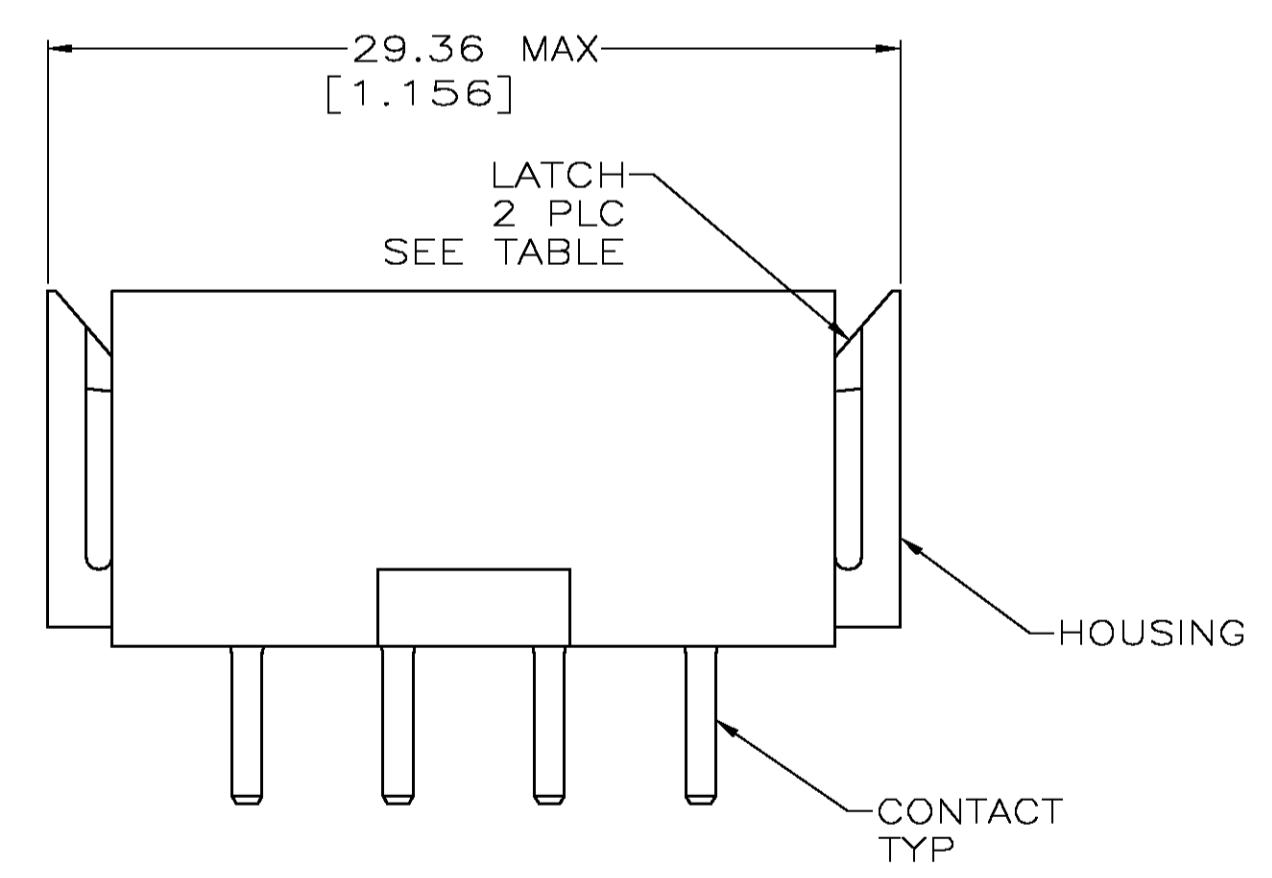


RECOMMENDED PC BOARD LAYOUT



- 1 NYLON, UL 94V-0 RATED, RED.
- 2 BRASS PER ASTM B36.
- 3 3.81µm [.000150] MIN TIN OVER 2.54µm [.000100] MIN COPPER.
- 4 0.76µm [.000030] MIN GOLD FOR A LENGTH OF 5.08 [.200] FROM MATING END, 3.81µm [.000150] MIN TIN FOR A LENGTH OF 4.83 [.190] MIN FROM OPPOSITE END, BOTH OVER 1.27µm [.000050] MIN NICKEL.
- 5 0.38µm [.000015] MIN GOLD FOR A LENGTH OF 5.08 [.200] FROM MATING END, 3.81µm [.000150] MIN TIN-LEAD FOR A LENGTH OF 4.83 [.190] MIN FROM OPPOSITE END, BOTH OVER 1.27µm [.000050] MIN NICKEL.
- 6 .000150 MIN TIN OVER .000100 MIN COPPER OR .000050 MIN NICKEL.
- 7 0.76µm [.000030] MIN GOLD FOR A LENGTH OF 5.08 [.200] FROM MATING END, 3.81µm [.000150] MIN TIN FOR A LENGTH OF 4.83 [.190] MIN FROM OPPOSITE END, BOTH OVER 1.27µm [.000050] MIN NICKEL.

11.79 [.464]	4.60±0.64 [.181±.025]	YES	7	NO	1-206763-4
11.79 [.464]	4.60±0.64 [.181±.025]	YES	7	YES	1-206763-3
11.79 [.464]	4.60±0.64 [.181±.025]	YES	6	NO	1-206763-2
11.79 [.464]	4.60±0.64 [.181±.025]	YES	6	YES	1-206763-1
OBSOLETE	11.79 [.464]	4.60±0.64 [.181±.025]	NO	YES	206763-9
OBSOLETE	13.31 [.524]	4.60±0.64 [.181±.025]	YES	NO	206763-8
	11.79 [.464]	4.60±0.64 [.181±.025]	YES	NO	206763-4
	11.79 [.464]	4.60±0.64 [.181±.025]	YES	YES	206763-3
	11.79 [.464]	4.60±0.64 [.181±.025]	YES	NO	206763-2
	11.79 [.464]	4.60±0.64 [.181±.025]	YES	YES	206763-1
B	A	LATCHES	CONTACT FINISH	MOUNTING TABS	PART NUMBER

THIS DRAWING IS A CONTROLLED DOCUMENT		DWN	03/11/92	Tyco Electronics Corporation Harrisburg, Pa 17105-3608
DIMENSIONS: mm [INCHES]		L/SIPE	3-17-92	
TOLERANCES UNLESS OTHERWISE SPECIFIED:		CHK	R.STONE	NAME: A. TRAVIS PRODUCT SPEC: 108-10033 APPLICATION SPEC:
0 PLC ± -		APVD	3-17-92	
1 PLC ± -		SIZE: A1		SCALE: 4:1
2 PLC ± 0.13 [.005]		WEIGHT: -		SHEET 1 OF 1
3 PLC ± -		CUSTOMER DRAWING		REV Z
4 PLC ± -		MATERIAL: HOUSING: 1		
ANGLES ± -		FINISH: CONTACT: SEE TABLE		