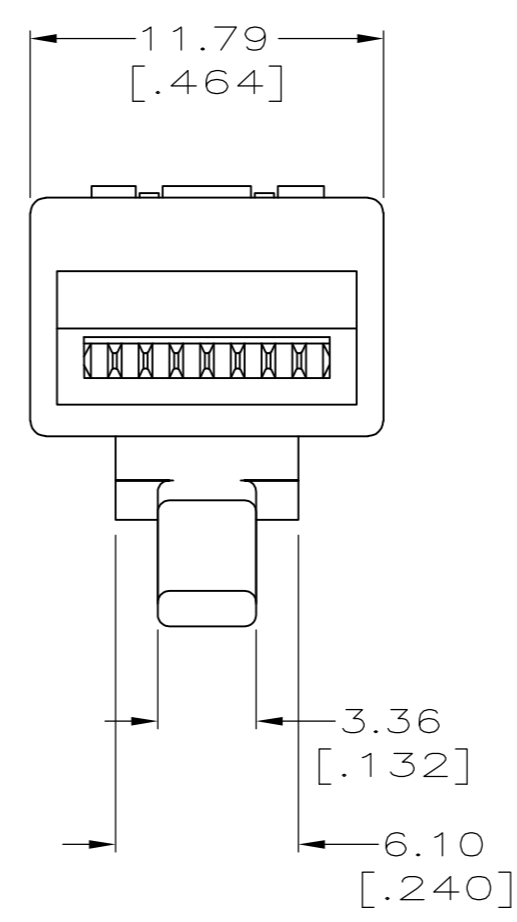
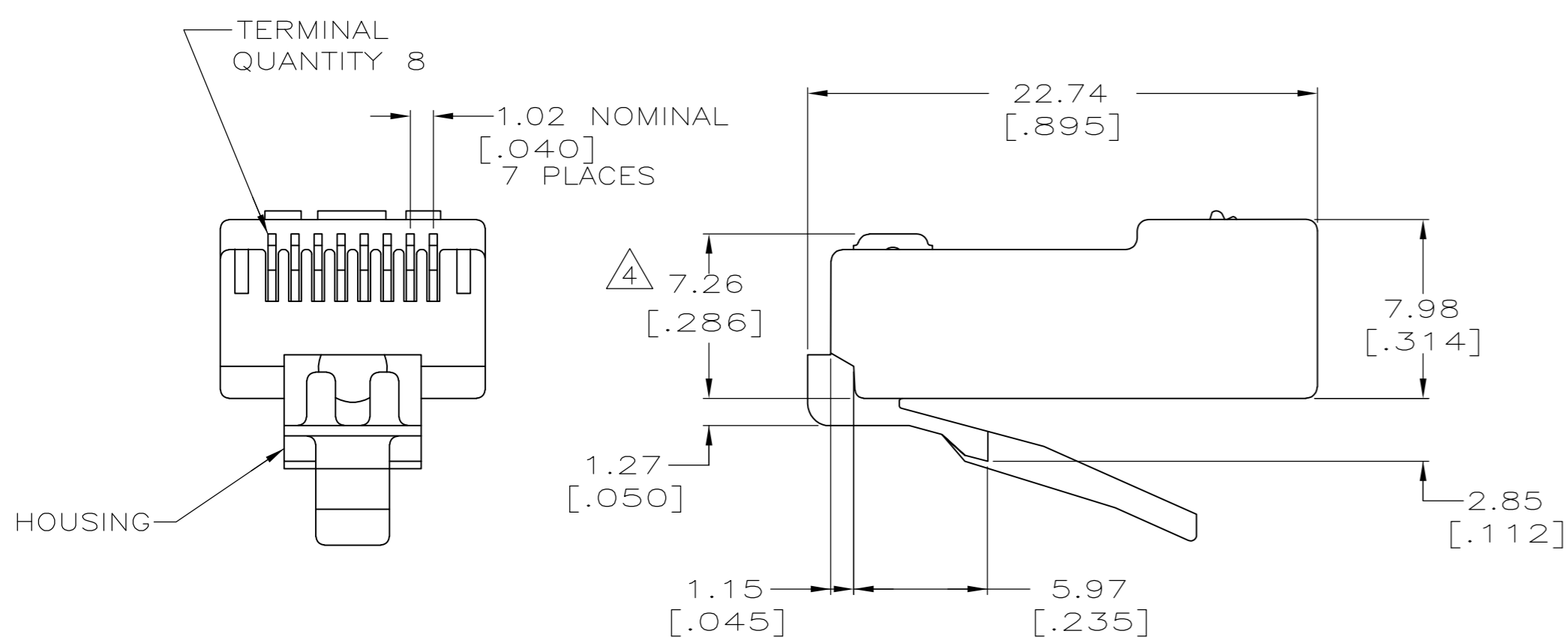
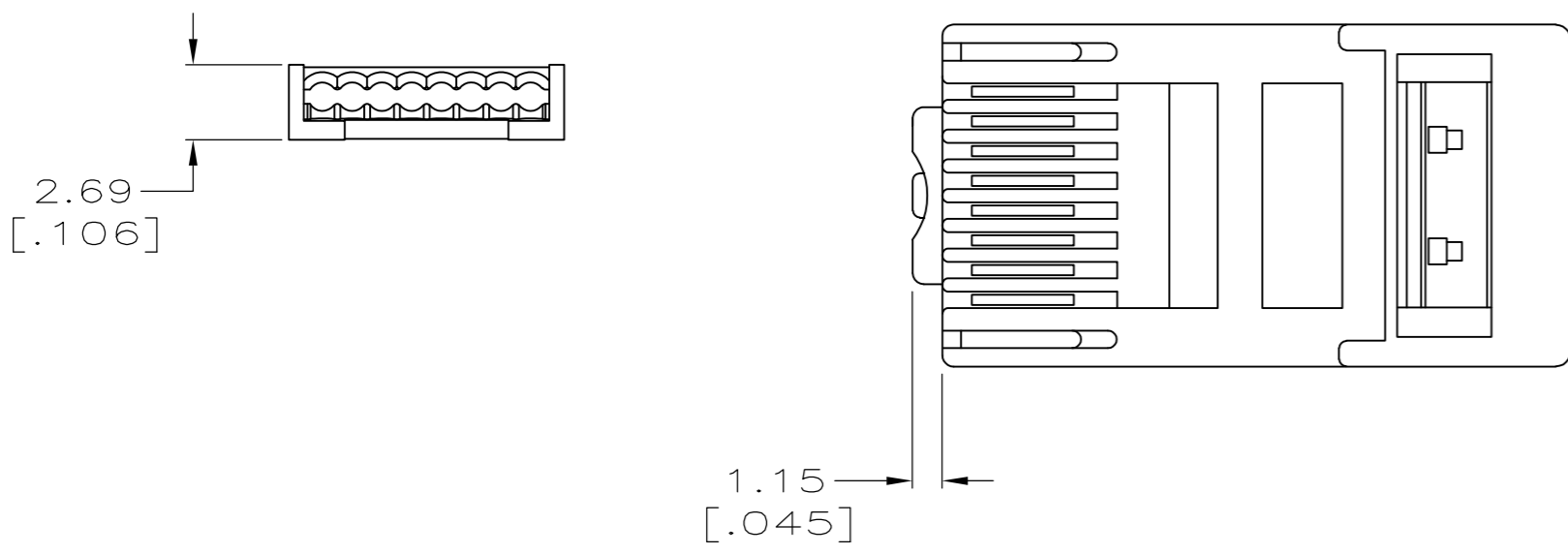
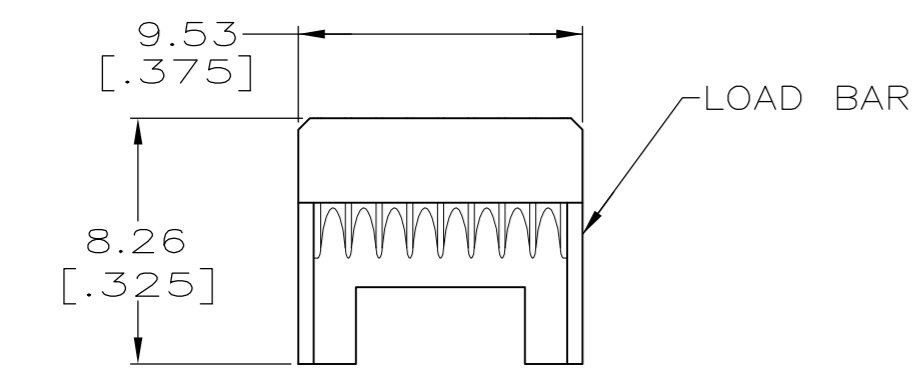


THIS DRAWING IS UNPUBLISHED. RELEASED FOR PUBLICATION  
 © COPYRIGHT - By - ALL RIGHTS RESERVED.

LOC		DIST		REVISIONS			
P	LTR	DESCRIPTION		DATE	DWN	APVD	
HM	00	G		REVISED PER ECO-13-015339	04OCT2013	JB	JG



- 1 MATERIAL:  
HOUSING - 94V-0 RATED POLYCARBONATE, CLEAR.  
TERMINAL - 0.36[.014] THICK PHOSPHOR BRONZE PLATED WITH 1.27μm[.000050] MINIMUM THICK GOLD IN LOCALIZED AREA OVER 2.54μm[.000100] MINIMUM THICK NICKEL UNDERPLATE.  
LOAD BAR - PBT POLYESTER, BLACK.
- 2 DIMENSIONS ARE MAXIMUM UNLESS OTHERWISE SPECIFIED.
- 3. PLUG WILL ACCEPT A 24,26 OR 28 AWG SOLID CONDUCTOR, PROVIDED THE INSULATED CONDUCTOR DIAMETER IS 0.89[.035] TO 0.99[.039]; WITH AN UNSHIELDED, PLIABLE, LOOSE CABLE JACKET OF 4.83[.190] TO 5.59[.220] DIAMETER OR AN UNSHIELDED, RIGID, HARD CABLE JACKET OF 4.83[.190] TO 5.08[.200] DIAMETER.
- 4 TERMINATED DIMENSION 6.15[.242] MAXIMUM.
- 5 500 ASSEMBLIES AND 500 LOAD BARS PER PACKAGE.
- 6 100 ASSEMBLIES AND 100 LOAD BARS PER PACKAGE.
- 8 10,000 ASSEMBLIES AND 10,000 LOAD BARS PER PACKAGE.
- 9. UL RECOGNIZED: FILE NUMBER E81956.

6	5-569278-3
5	5-569278-2
8	5-569278-1
PACKAGED	PART NUMBER

THIS DRAWING IS A CONTROLLED DOCUMENT.

DWN	DL DRUMMOND	5-22-95
CHK	D. AHERON	5-22-95
APVD	E. LAURER	5-22-95
PRODUCT SPEC		
APPLICATION SPEC		
WEIGHT	-	
CUSTOMER DRAWING		

TE Connectivity

MODULAR PLUG ASSEMBLY, 8 POSITION, ROUND CABLE, SOLID WIRE

SIZE	CAGE CODE	DRAWING NO	RESTRICTED TO
A2	00779	C=569278	-
SCALE	SHEET	REV	
4:1	1 of 1	G	

569278

A