

SPECIFICATION

- Part No. : **CGGP.25.4.A.02**
- Product Name : 4mm thick GPS/GLONASS Patch Antenna,
1575-1610MHz
- Feature : 25*25*4mm
RoHS compliant



1. Introduction

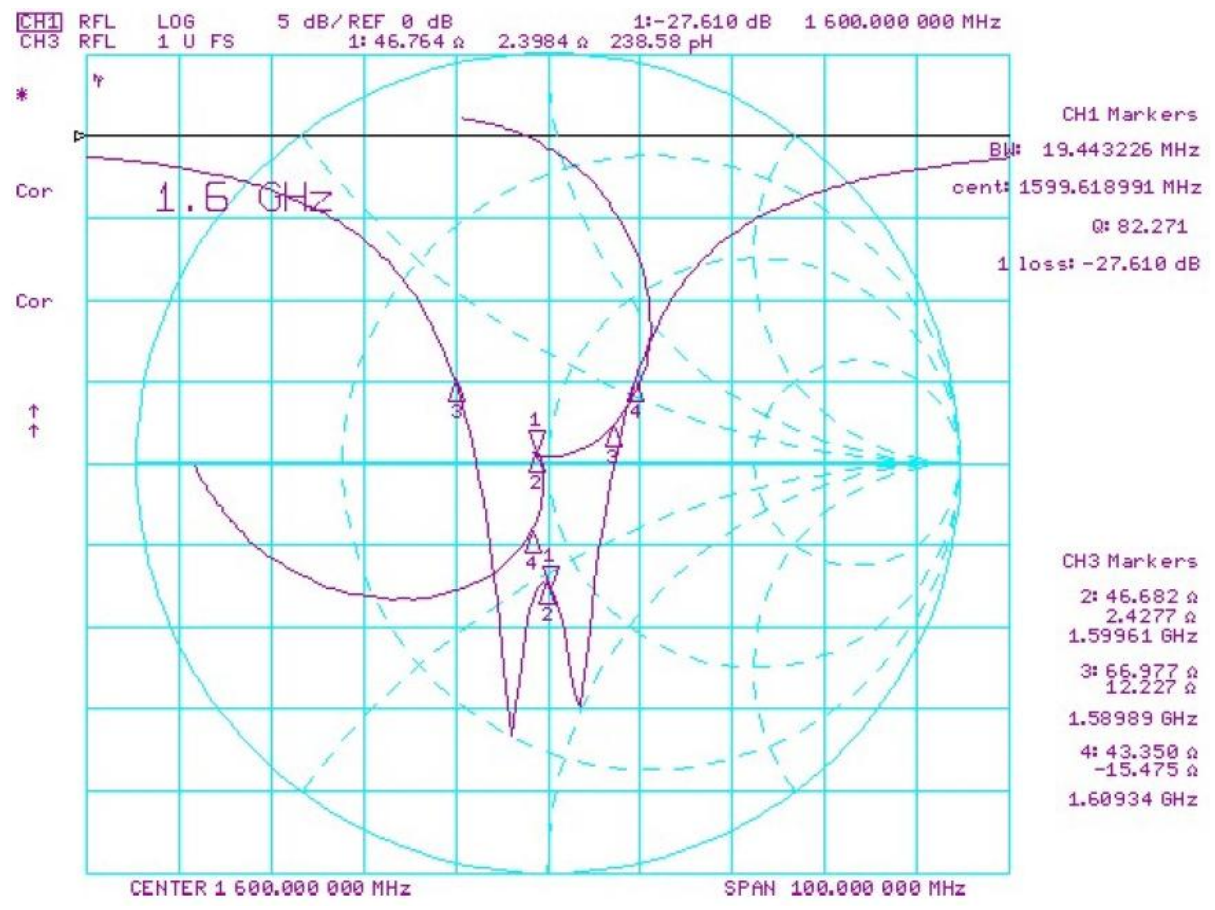
This miniaturized ceramic GPS patch antenna is based on smart *XtremeGain*™ technology. It is mounted via pin and double-sided adhesive and has been selected as optimal solution for the customer device environment.

2. Specification

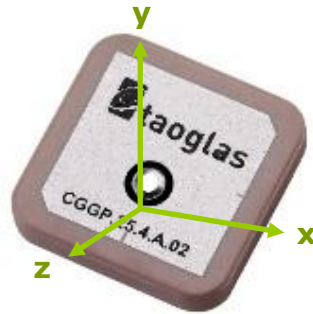
ELECTRICAL	
Center Frequency	1600MHz ± 3MHz
Bandwidth	15 MHz min Return Loss <-10dB
VSWR	1.5 max
Gain at Zenith	+5.0 dBic typ.
Gain at 10° Elevation	-1.0 dBic typ.
Axial ratio	3dB Max
Polarization	RHCP
Impedance	50 ohms
MECHANICAL	
Ceramic Dimension	25.1 x 25.1 x 4mm
Pin Diameter	0.9mm
Pin Length	1.8mm
ENVIRONMENTAL	
Operation Temperature	-40°C to 105°C
Humidity	Non-condensing 65°C 95% RH

* Antenna properties were measurement with the antenna mounted on 70mm*70mm Ground Plane

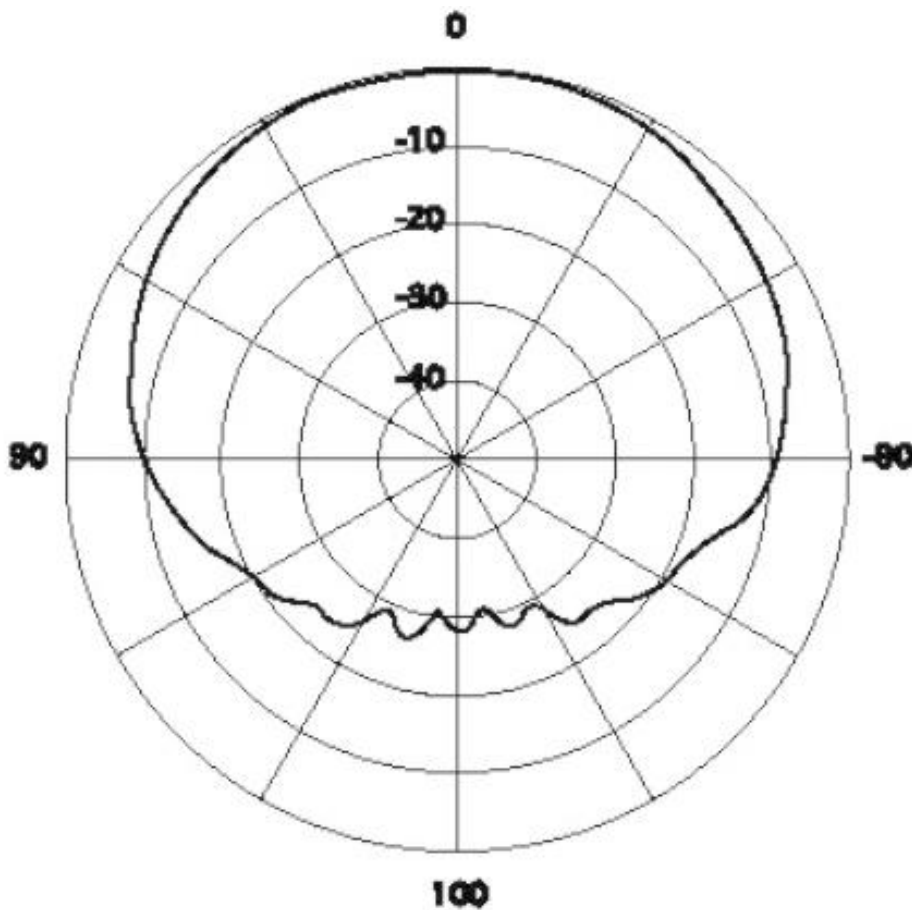
3. Antenna S11 Properties



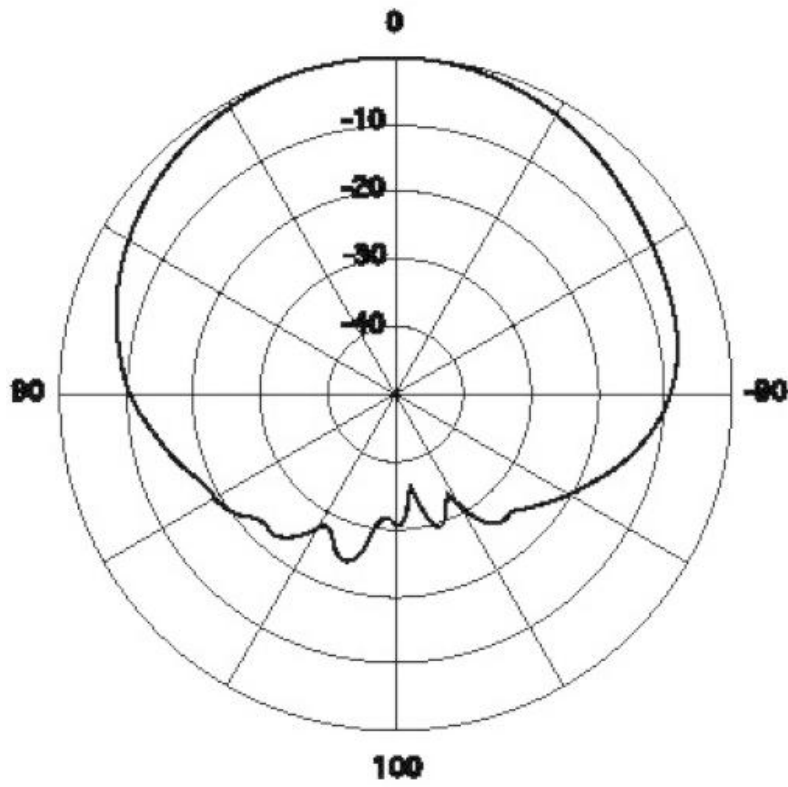
4. Antenna Radiation Properties



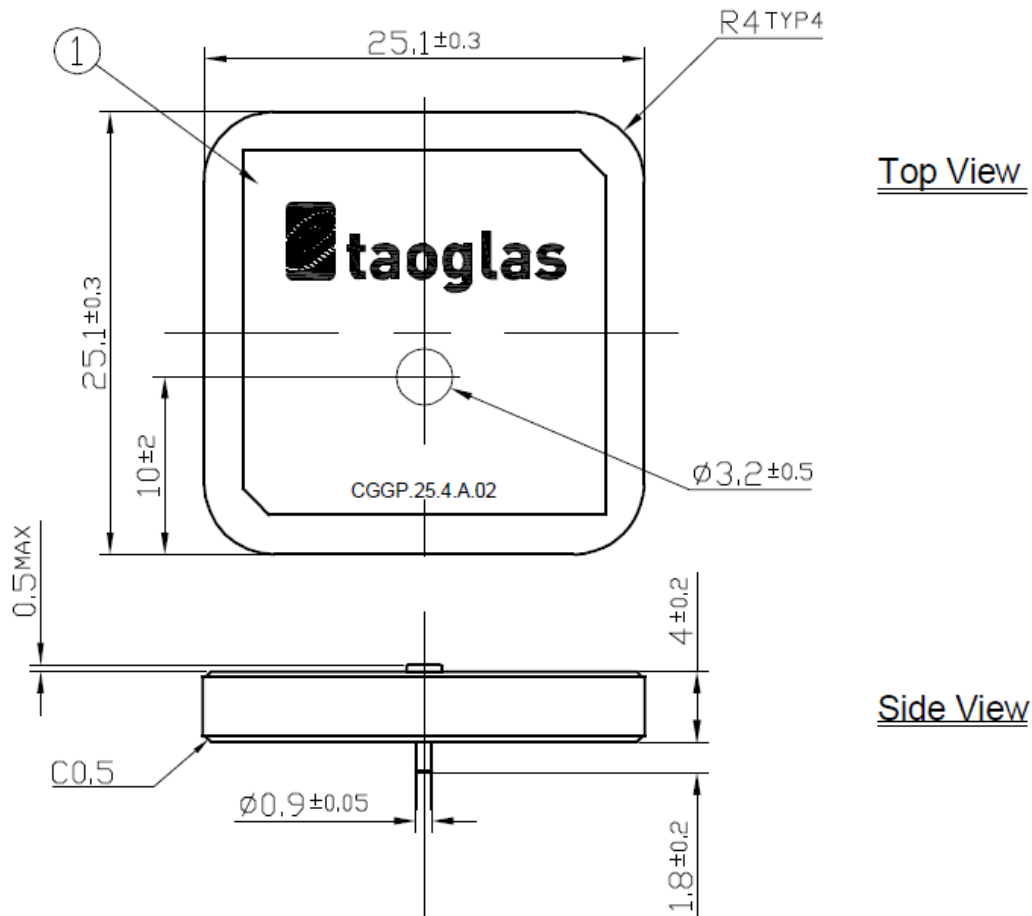
4.1. XZ – Plane Radiation



4.2. YZ- Plane Radiation

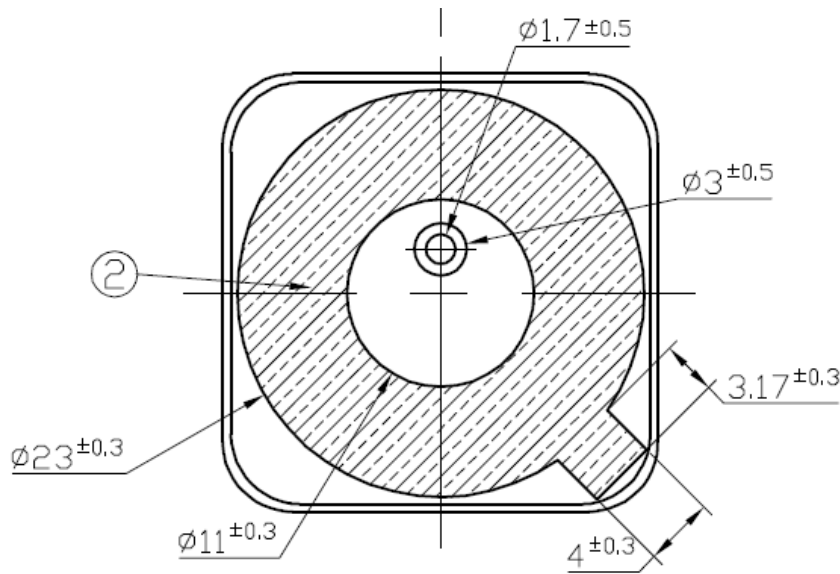


5. Mechanical Drawing



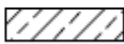
Top View

Side View



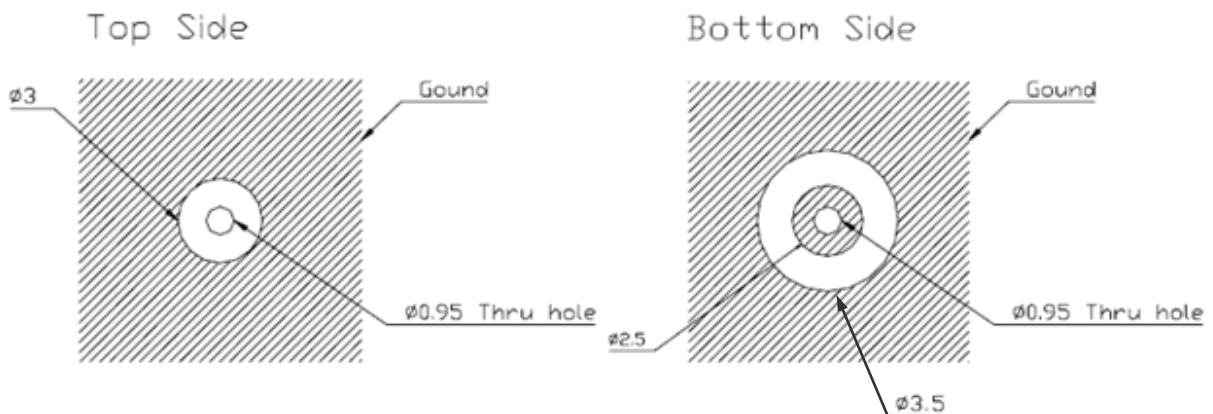
Bottom View

NOTES:

1. Double sided adhesive area. 

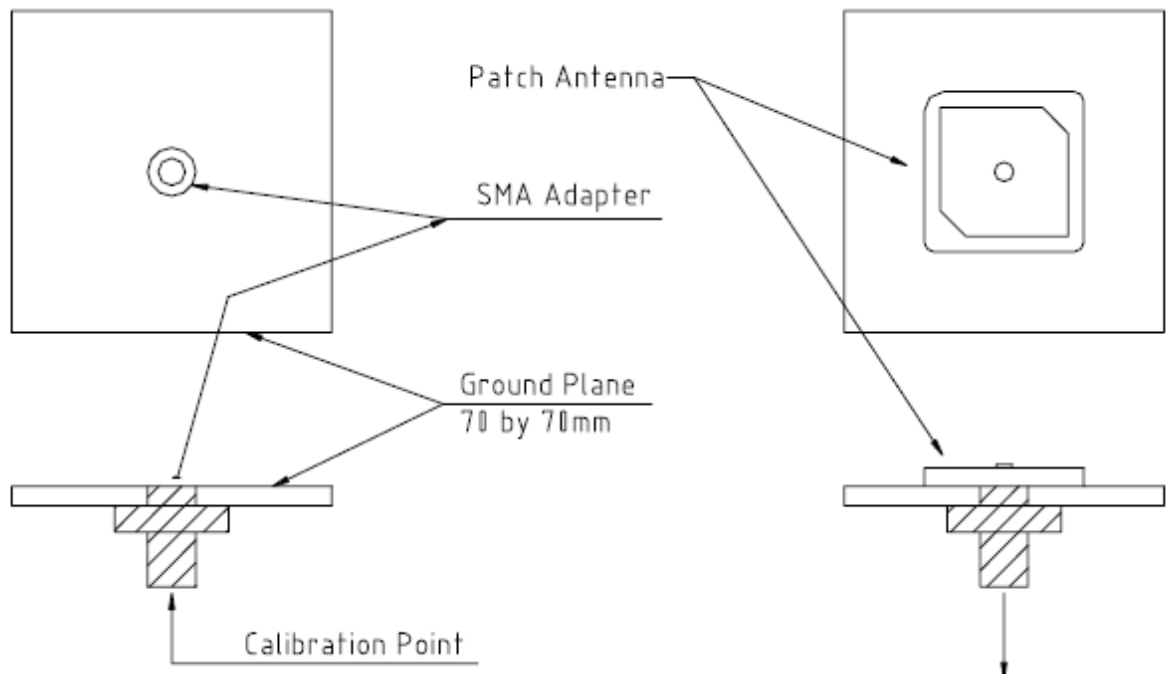
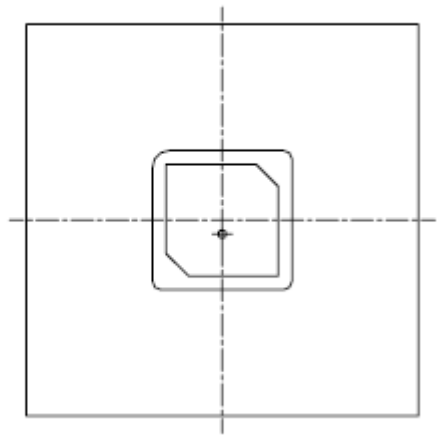
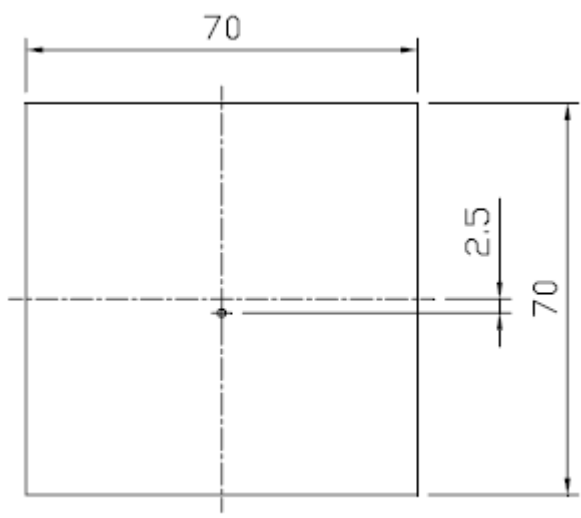
Unit : mm

6. PCB Footprint Recommendation



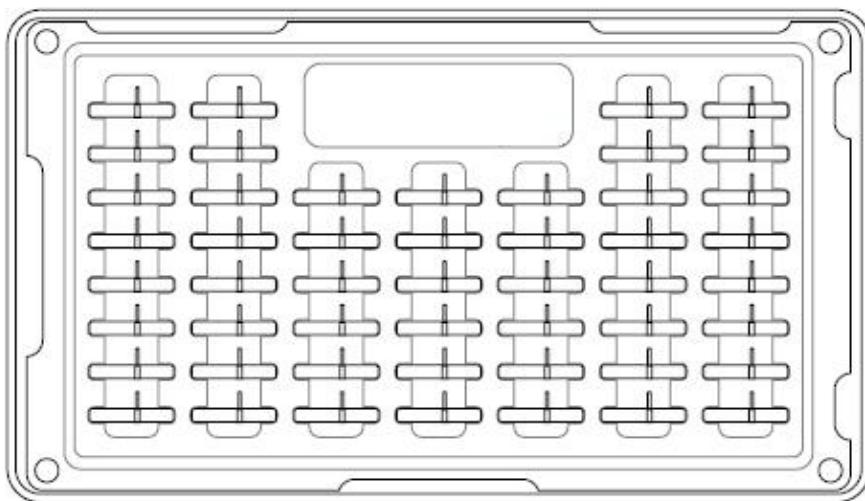
Unit : mm

7. Evaluation Board



8. Packaging

8.1. Inner Tray



200 pieces per tray

8.2. Carton

