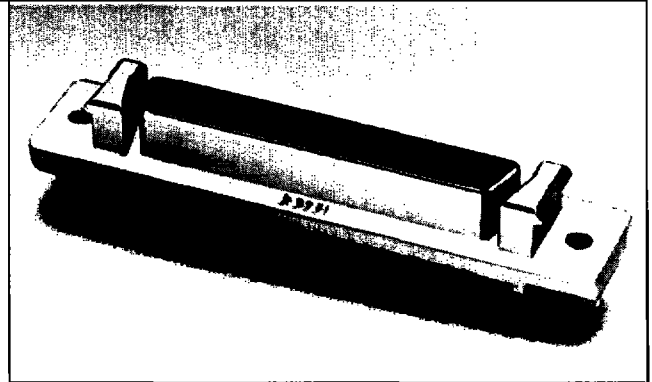
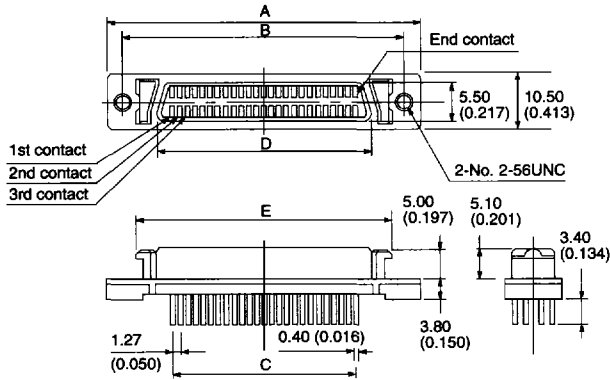


FCN-234D*-G/E STRAIGHT TYPE, BOARD-SOCKET**

DIMENSIONS

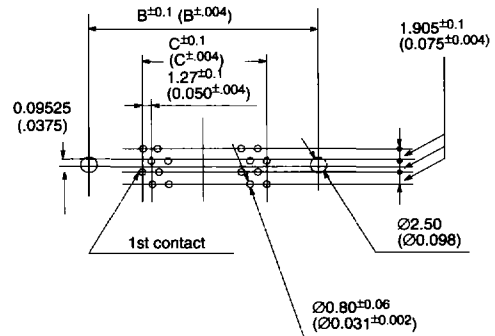
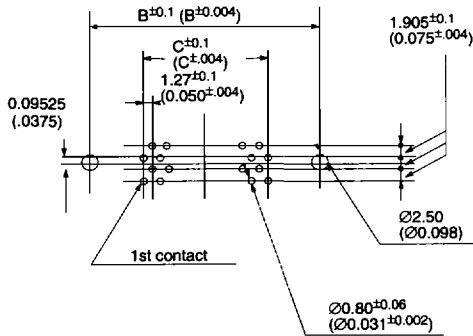


2

MOUNTING HOLE LAYOUT

26, 50-contacts

20, 28, 40, and 68-contacts



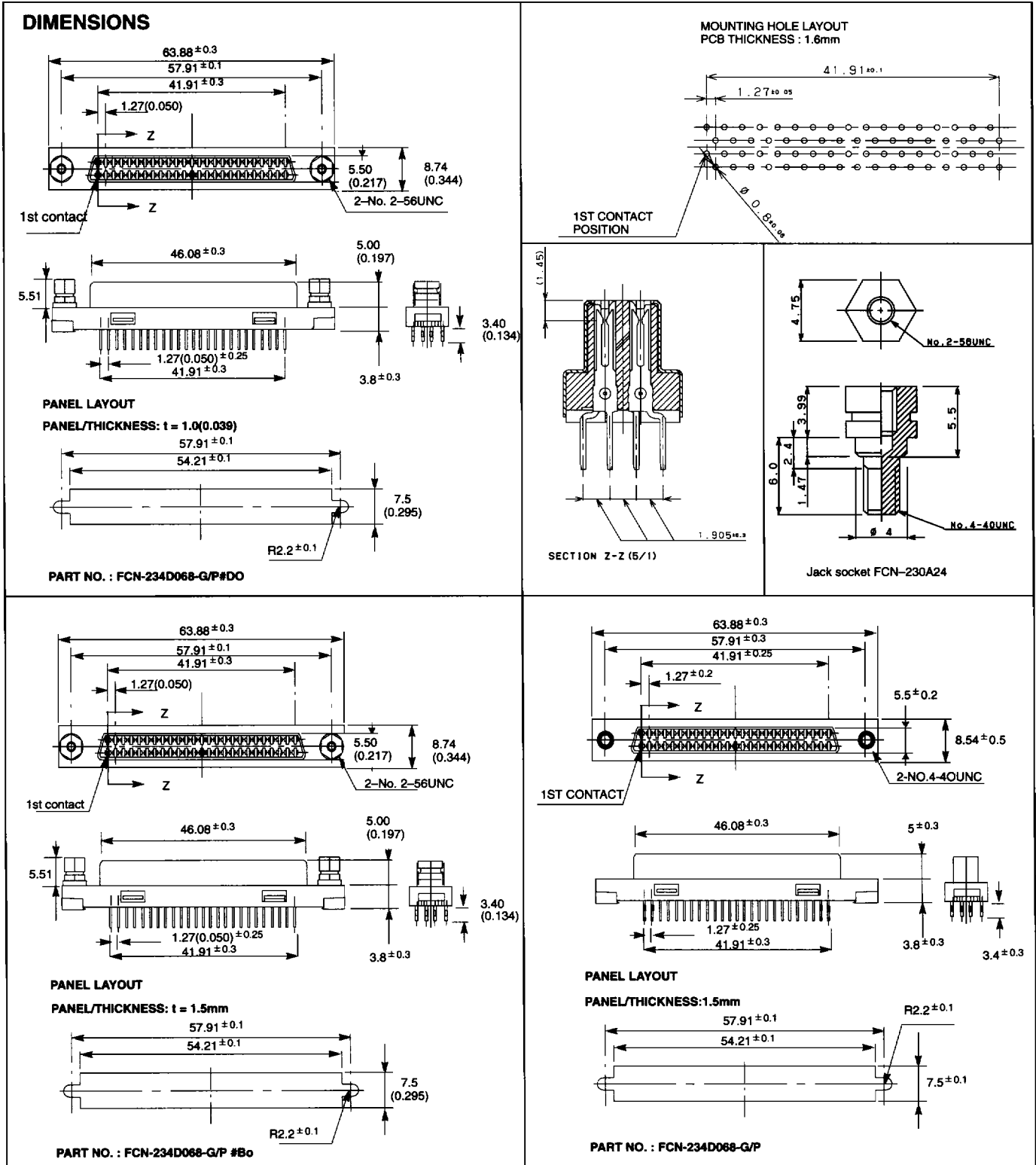
Unit mm (in.)

PART NUMBERS

No. of Contacts	Part Number	Dimensions				
		A	B	C	D	E
20	FCN-234D020-G/E	33.40 (1.315)	27.43 (1.080)	11.43 (0.450)	15.60 (0.614)	23.24 (0.915)
26	FCN-234D026-G/E	37.21 (1.465)	31.24 (1.230)	15.24 (0.600)	19.41 (0.764)	27.05 (1.065)
28	FCN-234D028-G/E	38.48 (1.515)	32.51 (1.280)	16.51 (0.650)	20.68 (0.814)	28.32 (1.115)
40	FCN-234D040-G/E	46.10 (1.815)	40.13 (1.580)	24.13 (0.950)	28.30 (1.114)	35.94 (1.415)
50	FCN-234D050-G/E	52.45 (2.065)	46.48 (1.830)	30.48 (1.200)	34.65 (1.364)	42.29 (1.665)
68	FCN-234D068-G/E	63.88 (2.515)	57.91 (2.280)	41.91 (1.650)	46.08 (1.814)	53.72 (2.115)

Note: See recommended panel cut-out in Backshells and Accessories for 230/240 Series.

FCN-234D068-G/P* STRAIGHT TYPE, BOARD-SOCKET**



2

- NOTE:**
1. Housing : 6T-NYLON UL94V-0
 2. Contact : Phosphor bronze
Surface treatment : Gold over Palladium
 3. Unless otherwise stpcified, dimensions are in mm and tolerances are 0.5mm.