



Continental Device India Limited

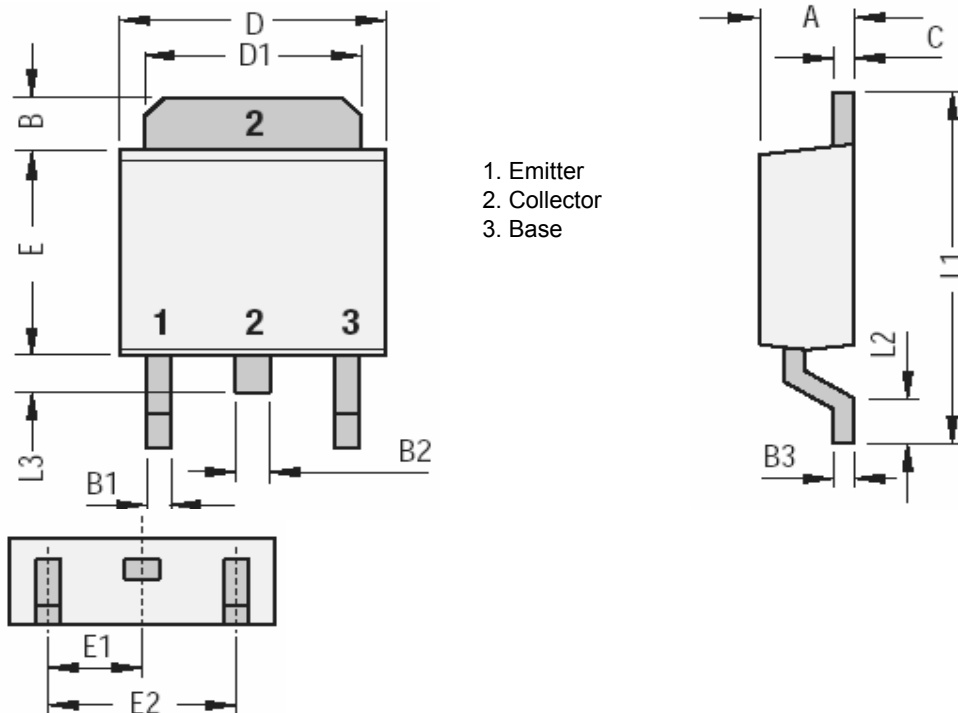
An ISO/TS 16949, ISO 9001 and ISO 14001 Certified Company



TO-252 (DPAK) SMD Plastic Package

Package Outline, Tape, Reel and Packaging Information

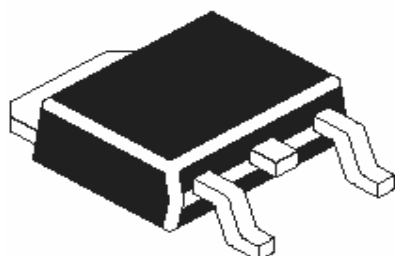
TO-252 (DPAK) SMD Plastic Package



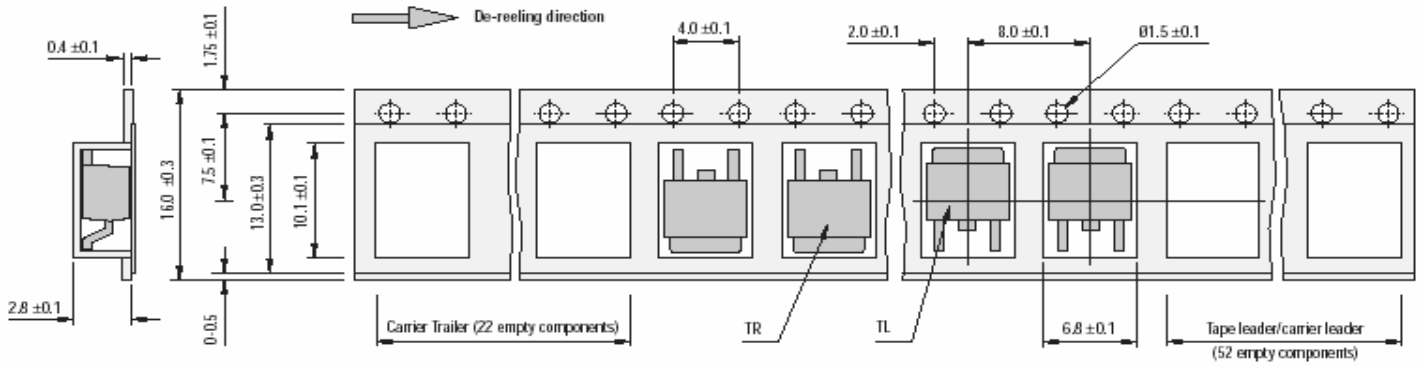
DIM	Min	Max
A	2.20	2.40
BP	1.30	1.50
B1	0.55	0.65
B2	0.75	0.85
B3	0.46	0.58
C	0.46	0.58
D	0.40	6.60

DIM	Min	Max
D1	5.20	5.40
E	5.40	5.60
E1	2.25	2.35
E2	4.50	4.70
L1	9.25	9.75
L2	0.50	
L3	0.90	1.1

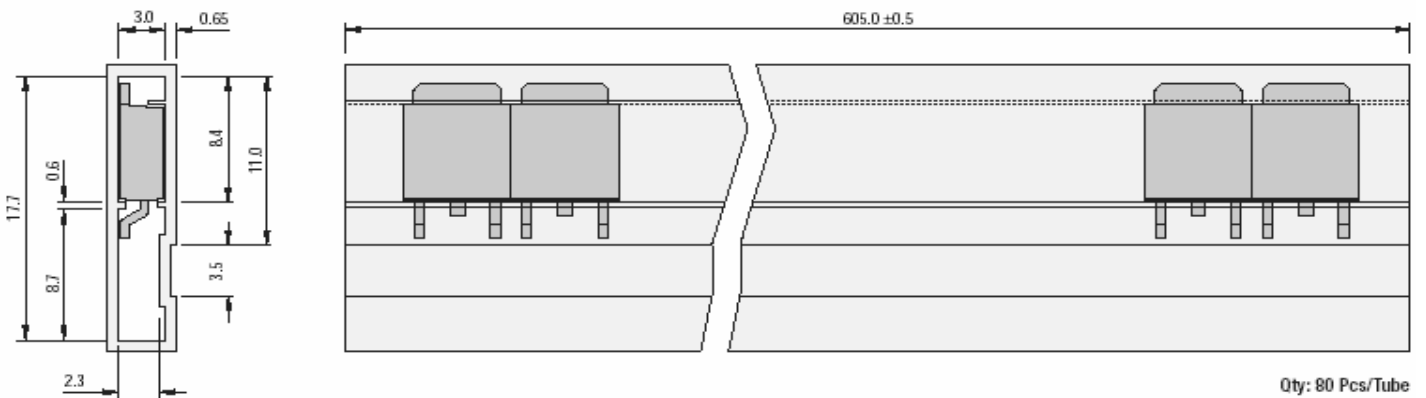
All Dimensions are in mm



TO-252 (DPAK) Packaging Tape



TO-252 (DPAK) Packaging Tube



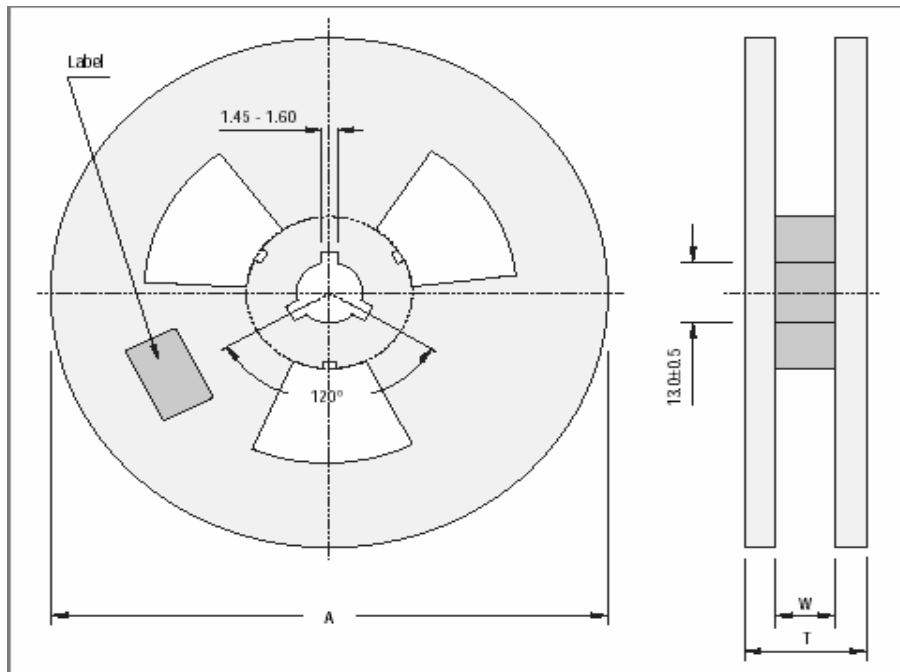
All Dimensions are in mm

Packaging Information

Package/ Case Type	Packaging Type	Std. Packing Qty	Inner Carton		Outer Carton			
			Qty	Size L x W x H (cm)	Gross Weight (Kg)	Qty	Size L x W x H (cm)	Gross Weight (Kg)
TO-252 (DPAK)	Tube	1600 (80pcs/tube)						
	T&R	2,500						

Tube: Tube and Ammo Pack
T & R: Tape and Reel

Reel Dimensions and Drawing



Reel Specifications				
Package	Tape Width	Reel Dia. A - Max	Inside Thickness W	Reel Thickness T - max
TO-252 (DPAK)	16	330	17.5 ± 1.5	24

All Dimensions are in mm

Component Disposal Instructions

1. CDIL Semiconductor Devices are RoHS compliant, customers are requested to please dispose as per prevailing Environmental Legislation of their Country.
2. In Europe, please dispose as per EU Directive 2002/96/EC on Waste Electrical and Electronic Equipment (WEEE).

Disclaimer

The product information and the selection guides facilitate selection of the CDIL's Semiconductor Device(s) best suited for application in your product(s) as per your requirement. It is recommended that you completely review our Data Sheet(s) so as to confirm that the Device(s) meet functionality parameters for your application. The information furnished in the Data Sheet and on the CDIL Web Site/CD are believed to be accurate and reliable. CDIL however, does not assume responsibility for inaccuracies or incomplete information. Furthermore, CDIL does not assume liability whatsoever, arising out of the application or use of any CDIL product; neither does it convey any license under its patent rights nor rights of others. These products are not designed for use in life saving/support appliances or systems. CDIL customers selling these products (either as individual Discrete Semiconductor Devices or incorporated in their end products), in any life saving/support appliances or systems or applications do so at their own risk and CDIL will not be responsible for any damages resulting from such sale(s).

CDIL strives for continuous improvement and reserves the right to change the specifications of its products without prior notice.



CDIL is a registered Trademark of
Continental Device India Limited

C-120 Naraina Industrial Area, New Delhi 110 028, India.

Telephone + 91-11-2579 6150, 4141 1112 Fax + 91-11-2579 5290, 4141 1119
email@cdil.com www.cdilsemi.com