

CATALOG LISTING 102TL226 SERIES CHART 1
 ISSUE 4
 M 102TL226 SERIES CHART 1
 PAGE 1 OF 1
 RELEASE NO. CO-78465 REPLACE SERIES
 REVISIONS
 A CO-93153 JJA 5 MAY 99
 B CO-93999 JJA 7 JULY 99
 C 201413 CSL 3 OCT 00
 DRAWN RASTER FO-82851-A
 CHECKED JKS 23 JUN 94
 JJO 9 JUN 94
 WEIGHT .135 LB MAX

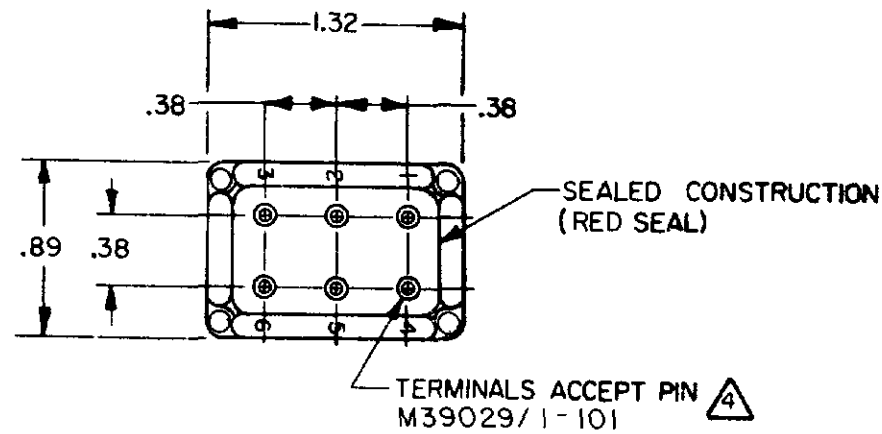
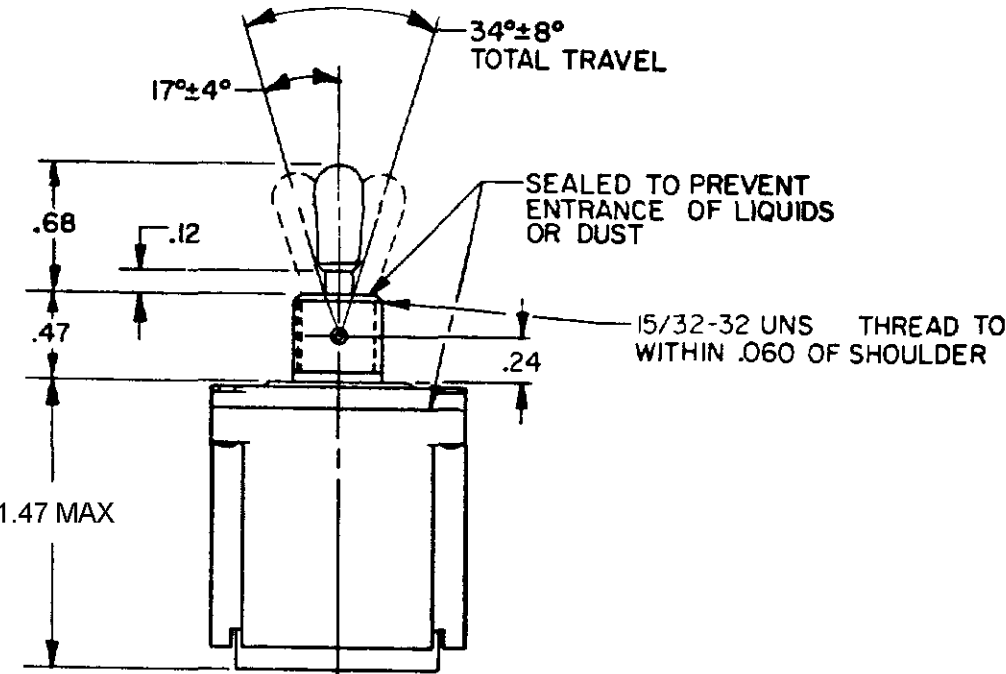
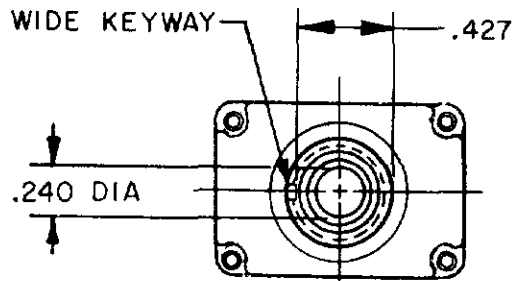
MICRO SWITCH
 FREEPORT ILLINOIS U S A
 A DIVISION OF HONEYWELL
 FED MFG CODE 91928

SWITCH-TOGGLE

CATALOG LISTING
102TL226 SERIES
CHART 1

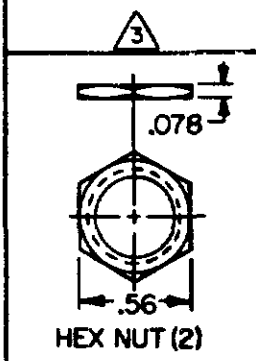
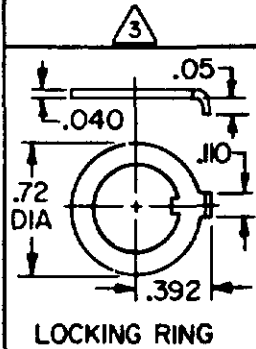
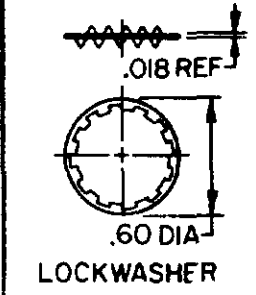
Furnished under United States Government Contract No. [redacted] Shall not be either released outside the Government, or used, duplicated or disclosed in whole or in part for manufacture or procurement, without the written permission of MICRO SWITCH, A Division of Honeywell, except for (I) emergency repair or overhaul work by or for the Government, where the item or process concerned is not otherwise reasonably available to enable timely performance of the work; or (II) release to a foreign government, as the interests of the United States may require; provided that in either case the release, use duplication or disclosure hereof shall be marked on any reproduction hereof in whole or in part.

.076 ± .008 WIDE KEYWAY



SCALE FULL
 DO NOT SCALE PRINT
 UNLESS OTHERWISE NOTED
 DIMENSIONS ARE IN INCHES
TOLERANCES ARE
 ONE PLACE (.0) ± .030
 TWO PLACE (.00) ± .018
 THREE PLACE (.000) ± .008
 ANGLES
 WEIGHT .135 LB MAX

CATALOG LISTING	CIRCUIT MADE WITH TOGGLE LEVER IN			CURRENT CAPACITY (AMPS)									
	KEYWAY SIDE (1-2,4-5)	CENTER (1-2,4-5)	OPPOSITE KEYWAY (2-3,5-6)	RESISTIVE LOAD DC VOLTS				LAMP LOAD		INDUCTIVE LOAD			
				28	125	250	125	250	28 VDC	125 VAC	28 VDC	125 VAC	
102TL226-1	ON	OFF	ON										
102TL226-2	OFF	NONE	ON										
(A) 102TL226-21	ON	NONE	ON	7.5	.75	.5	7.5	6	7	4	7.5	7.5	
102TL226-31	NONE	OFF	ON										
102TL226-4	MOM OFF	NONE	ON										
102TL226-5	MOM ON	OFF	ON										
102TL226-6	MOM ON	NONE	OFF										
102TL226-7	MOM ON	OFF	MOM ON	7.5	.75	.5	7.5	6	5	2	7.5	7.5	
102TL226-8	MOM ON	NONE	ON										
102TL226-51	NONE	ON	MOM ON										
102TL226-61	MOM ON	OFF	NONE										



NOTES

- SWITCHES ARE CAPABLE OF WITHSTANDING A TEMPERATURE OF 160°F CONTINUOUSLY AT FULL RATED LOAD
- CIRCUIT DESIGNATION AND MICRO SWITCH CATALOG LISTING STAMPED ON SIDE OF SWITCH
- FURNISHED UNASSEMBLED
- THE SEALING GROMMET SHALL SEAL ON A SMOOTH WIRE INSULATION OF .040 TO .083 DIAMETER (16-20 GAGE)
- APPLIES TO "ON" AND "MOMENTARY ON" POSITIONS
- UNUSED TERMINAL HOLES MAY BE SEALED WITH PLUGS M83723/28-20
- TOGGLE AND BUSHING - COVER ARE NICKEL PLATED