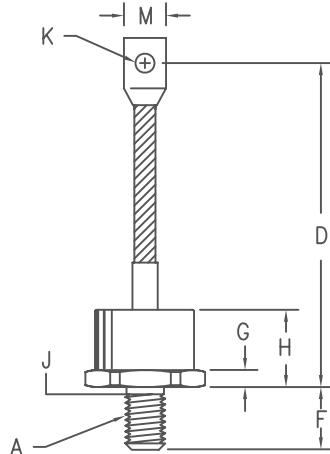
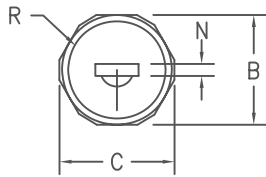


Silicon Power Rectifier

1N3161 — 1N3177



Dim.	Inches		Millimeter		Notes
	Minimum	Maximum	Minimum	Maximum	
A	3/4-16 UNF		---	---	1
B	1.218	1.250	30.93	31.75	
C	1.350	1.375	34.29	34.93	
D	5.30	5.90	134.62	149.86	
F	.793	.828	20.14	21.03	
G	.300	.325	7.62	8.25	
H	---	.900	---	22.86	
J	.660	.745	16.76	19.02	2
K	.338	.348	8.58	8.84	Dia.
M	.665	.755	16.89	19.17	
N	.125	.172	3.18	4.37	
R	---	1.10	---	27.94	Dia.

Notes:

1. Full threads within 2 1/2 threads.
2. Standard Polarity: Stud is Cathode
Reverse Polarity: Stud is Anode

D0205AB (D09)

Microsemi Catalog Number	Peak Reverse Voltage
1N3161	50V
1N3162	100V
1N3163	150V
1N3164	200V
1N3165	250V
1N3166	300V
1N3167	350V
1N3168	400V
1N3169	500V
1N3170	600V
1N3171,A	700V
1N3172,A	800V
1N3173,A	900V
1N3174,A	1000V
1N3175	1200V
1N3176	1400V
1N3177	1600V

Add R suffix for reverse polarity

- Glass to metal seal construction
- High surge current capability
- Glass Passivated Die
- Rugged construction
- V_{RRM} 50-1600 Volts

Electrical Characteristics

Max average forward current	$I_{F(AV)}$ 240 Amps	$T_C = 149^\circ\text{C}$, Half sine wave, $R_{\theta JC} = 0.20^\circ\text{C/W}$ 8.3ms, half sine, $T_J = 200^\circ\text{C}$ less than 8.33ms
Max surge current	I_{FSM} 3000 Amps	
Max. I^2t capability for fusing	I^2t 37,480 ² S	$I_F = 240A: T_C = 25^\circ\text{C}$
Max peak forward voltage	V_{FM} 1.25 Volts	$V_{RRM}, T_C = 150^\circ\text{C}$
Max peak reverse current	I_{RRM} 10mA	$V_{RRM}, T_C = 25^\circ\text{C}$
Max peak reverse current	I_{RRM} 75 μA	
Max recommended operating frequency	7.5 kHz	

Thermal and Mechanical Characteristics

Operating junction temp range	T_J	-65°C to 200°C
Storage temperature range	T_{STG}	-65°C to 200°C
Maximum thermal resistance	$R_{\theta JC}$	0.20°C/W Junction to case
Typical thermal resistance (greased)	$R_{\theta CS}$.08°C/W Case to sink
Max mounting torque		300-325 inch pounds
Weight		8.5 ounces (240 grams) typical

1N3161 — 1N3177

Figure 1
Typical Forward Characteristics

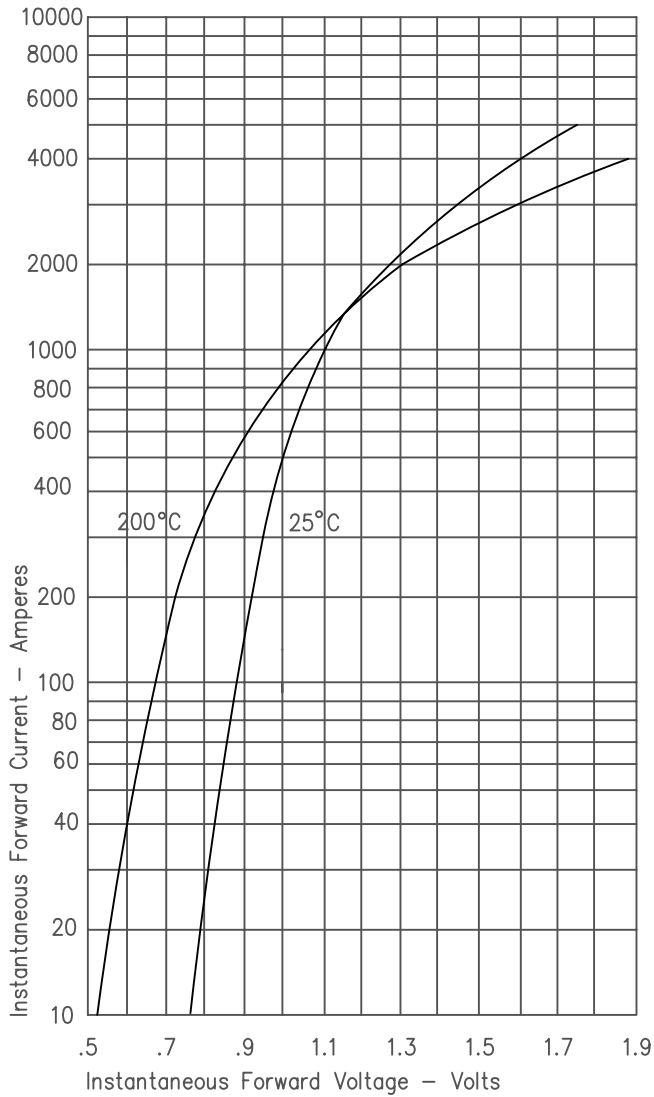


Figure 3
Forward Current Derating

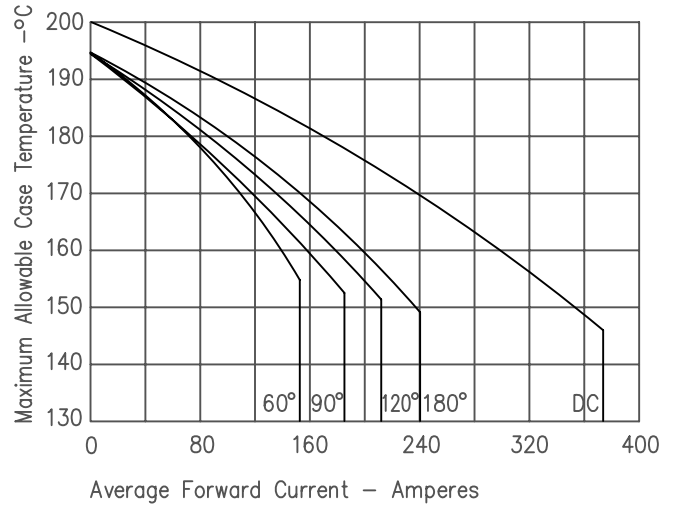


Figure 4
Maximum Forward Power Dissipation

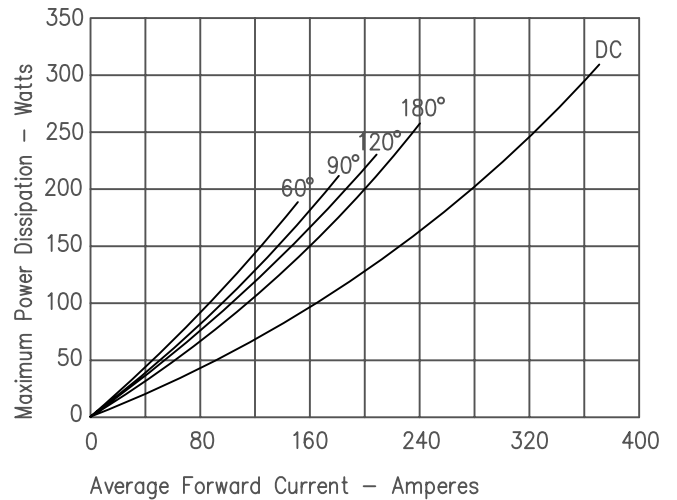


Figure 2
Typical Reverse Characteristics

