

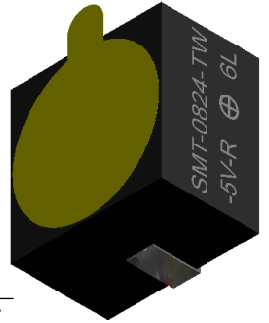
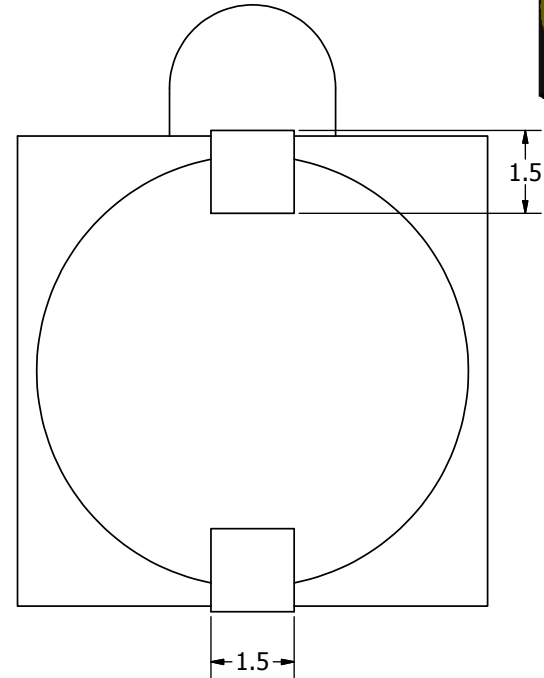
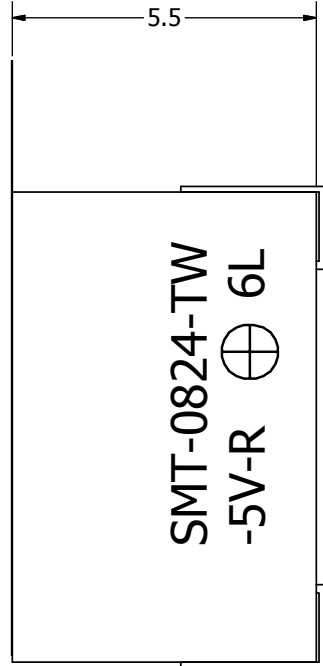
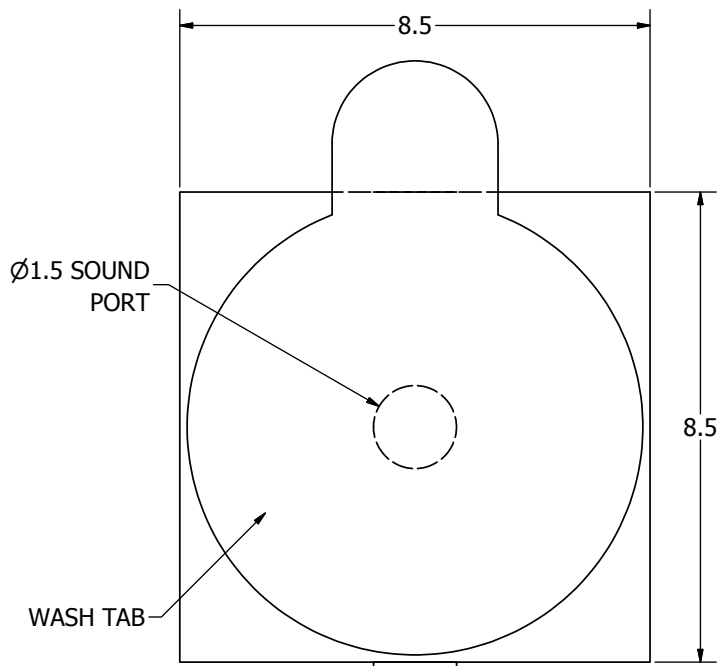
SPECIFICATIONS

| PARAMETERS | VALUES | UNIT |
|-----------------------------|-----------------|-------|
| RATED VOLTAGE (SQUARE WAVE) | 5 | Vp-p |
| OPERATING VOLTAGE RANGE | 3 ~ 8 | Vp-p |
| RATED CURRENT (MAX) | 60 | mA |
| COIL RESISTANCE | 30 ± 5 | OHM |
| MINIMUM SPL @ 10 CM | 80 | dB |
| RESONANT FREQUENCY | 2,400 ± 200 | Hz |
| OPERATING TEMPERATURE | -40 ~ +85 | °C |
| STORAGE TEMPERATURE | -50 ~ +95 | °C |
| HOUSING MATERIAL | LCP | - |
| TERMINAL MATERIAL | Sn PLATED BRASS | - |
| WEIGHT | 0.6 | grams |

THIS DOCUMENT CONTAINS DATA PROPRIETARY TO PROJECTS UNLIMITED, INC. ANY USE OR REPRODUCTION, IN ANY FORM, WITHOUT PRIOR WRITTEN PERMISSION OF PROJECTS UNLIMITED, INC. IS PROHIBITED.
©2003, Projects Unlimited Inc.

REVISION HISTORY

| LTR | DESCRIPTION | DATE | APPROVED |
|-----|--|-----------|----------|
| - | RELEASED FROM ENGINEERING | 3/29/2007 | |
| A | REVISED MINIMUM SPL @ 10cm | 5/16/2007 | R.W. |
| B | REVISED TO INVENTOR 3-D DRAWING TEMPLATE | 11/5/2007 | B.R. |
| C | REVISED SPECIFICATIONS | 11/8/2011 | M.L. |



NOTES:

1. ALL DIMENSIONS ARE IN MILLIMETERS.
2. SPECIFICATIONS SUBJECT TO CHANGE OR WITHDRAWAL WITHOUT NOTICE.
3. THIS PART IS RoHS 2002/95/EC COMPLIANT.

| | | | | | | | | | |
|--|-------------------|-------------|-----------|-------------------------|----------|-------------|----------|---------------------------|--|
| UNLESS OTHERWISE SPECIFIED: DIMENSIONS ARE IN MILLIMETERS, TOLERANCES ARE ±0.5 AND ANGLES ARE ±3°. | SIZE A3 | Designed by | Date | Checked by | Date | Approved by | Date | Drawn Date | |
| | | J.D. | 3/29/2007 | D.F. | 4/2/2007 | R.W. | 4/2/2007 | 11/5/2007 | |
| SMT-0824-TW-5V-R.idw | | | | SMT-0824-TW-5V-R | | | | Transducer (Electro-Mech) | |
| | | | | | | Edition | | Sheet | |
| | | | | | | - | | 1 / 1 | |