

ATTENUATORS

GPO™ / SMP, up to 26.5 GHz, 2 Watts

SPECIFICATIONS:

Models: G, GL, P, PL

RoHS
Compliant

AEROFLEX
A passion for performance.

Electrical:

Frequency Range _____ DC - 26.5 GHz
 Standard Freq. Values _____ 18 & 26.5 GHz
 Standard dB Values _____ 0 - 13, 20 & 30 dB
In 1 dB Increments

Atten. Accuracy DC - 18 GHz 18 - 26.5 GHz
 0 - 6 dB _____ ±0.4 dB _____ ±0.6 dB
 7 - 12 dB _____ ±0.6 dB _____ ±0.8 dB
 13, 20 & 30 dB _____ ±0.8 dB _____ ±1.2 dB

VSWR

DC - 8 GHz _____ 1.25:1 Max.
 8 - 18 GHz _____ 1.35:1 Max.
 18 - 26.5 GHz _____ 1.45:1 Max.

Input Power _____ 2 Watts Avg. @ 25°C
Derated Linearly to 0.5 Watts @ +125°C

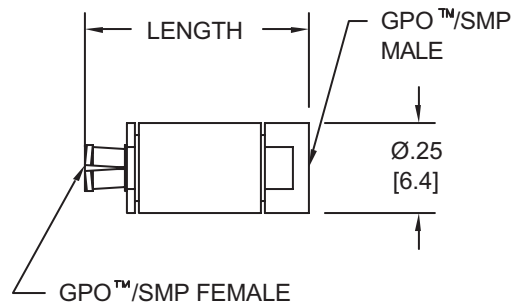
Peak Power _____ 250 Watts Max.
(5uSec Pulse, .05% Duty Cycle)

Impedance _____ 50 Ohms
 Operating Temp Range _____ -55°C to +85°C

Mechanical:

GPO™/SMP Connectors _____ Gold Plated Beryllium Copper
GPO™ connectors Mate with SMP connectors IAW MIL-STD-348

Conductors _____ Gold Plated Beryllium Copper
 Barrel** _____ Passivated Stainless Steel



** For a Gold Plated Barrel add /AU to the Model Number

GPO™ is a trademark of Corning Gilbert Inc.

Base Model Number	Connector Configuration	LENGTH			
		0 - 12 dB		13, 20 & 30 dB	
		Inches	Millimeters	Inches	Millimeters
XXG-yy, XXGL-yy XXP-yy, XXPL-yy	Male/Female	.61 ±.05	[15.49 ±1.27]	.74 ±.05	[18.80 ±1.27]
XXG-yyM, XXGL-yyM XXP-yyM, XXPL-yyM	Male/Male	.59 ±.05	[14.99 ±1.27]	.72 ±.05	[18.29 ±1.27]
XXG-yyF XXP-yyF	Female/Female	.63 ±.05	[16.00 ±1.27]	.76 ±.05	[19.30 ±1.27]

HOW TO ORDER:

Model Number: **XXYZ-XXY/FF**

Frequency Range
 18 = DC - 18 GHz
 26 = DC - 26.5 GHz

Connector Type
 G = GPO™ Connectors
 P = SMP Connectors

Connector Configuration
 = Male/Female
 F = Female/Female
 M = Male/Male

Finish
 = Passivated Barrel
 /AU = Gold Plated Barrel

dB Value

Connector Style
 = Full Detent Male Interface
Force to Engage: 15.0 Lbs Max.
 L = Limited Detent Male Interface
Force to Engage: 5.0 Lbs Max.

Ordering Examples:

Model Number: **18G-20**
 DC - 18 GHz; GPO™ Male/female
 Male has Full Detent Interface

Model Number: **26PL-3**
 DC - 26.5 GHz; SMP Male/Female
 Male has Limited Detent Interface

Note: Dimensions in Brackets are Expressed in Millimeters and are for Reference Only.

26G-ATT: REV F



Aeroflex / Inmet, Inc. • 300 Dino Drive, Ann Arbor, MI 48103 • U.S.A.
 888-244-6638 or 734-426-5553 • FAX: 734-426-5557
 www.aeroflex-inmet.com • sales@eroflex-inmet.com