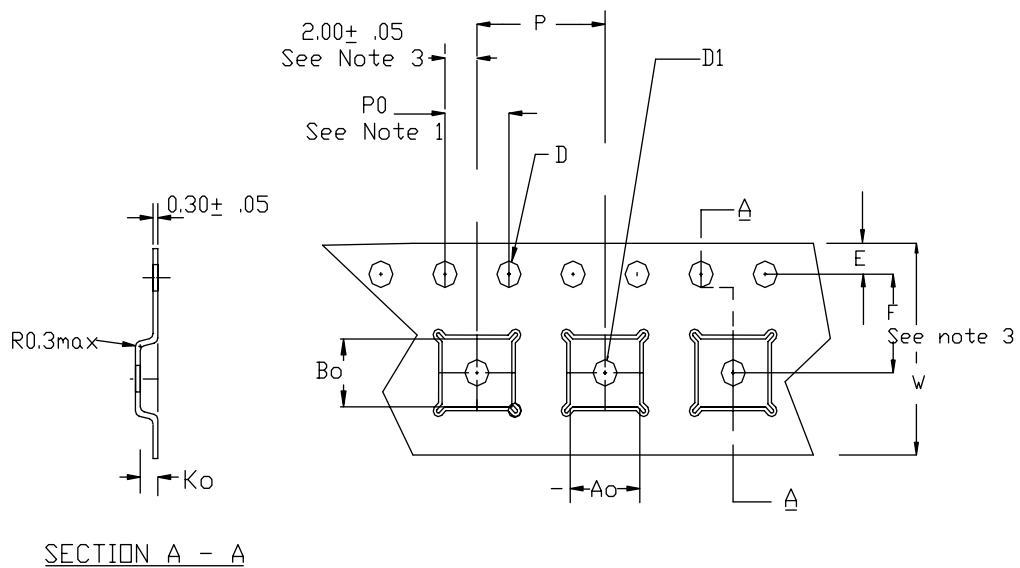


TAPE DIMENSIONS
12 mm Tape



1. 10 SPROCKET HOLE PITCH CUMULATIVE TOLERANCE.
2. CAMBER IN COMPLIANCE WITH EIA 481
3. POCKET POSITION RELATIVE TO SPROCKET HOLE MEASURED AS TRUE POSITION OF POCKET, NOT POCKET HOLE

Fixed Dimensions:

	Description	Symbol	Size (in.)	Size (mm)
Cavity	Bottom Hole Diameter	D1	0.059 +0.004, -0.000	1.5 ±0.1
	Diameter	D	0.059 +0.004, -0.000	1.5 ±0.1
	Pitch	P0	0.157 ±0.004	4.0 ±0.1
Perforation	Position	E	0.069 ±0.004	1.75 ±0.10
	Thickness	t	0.120 ±0.002	0.30 ±0.05
Carrier Tape	Thickness	T	0.003 ±0.004	0.065 ±0.100

Variable Dimensions:

LPCC 3mm x 3mm

	Description	Symbol	Size (in.)	Size (mm)
Cavity	Length	A0	0.130 ±0.004	3.30 ±0.1
	Width	B0	0.130 ±0.004	3.30 ±0.1
	Depth	K0	0.043 ±0.004	1.1 ±0.1
	Pitch	P	0.315 ±0.004	8.0 ±0.1
Distance Between Centerline	Cavity to Perforation (Length Direction)	P0	0.079 ±0.004	2.0 ±0.1
	Cavity to Perforation (Width Direction)	F	0.217 ±0.002	5.5 ±0.05
Carrier Tape	Width	W	0.472 ±0.012	12 ±0.3
Cover Tape	Width	C	0.366 ±0.004	9.3 ±0.1

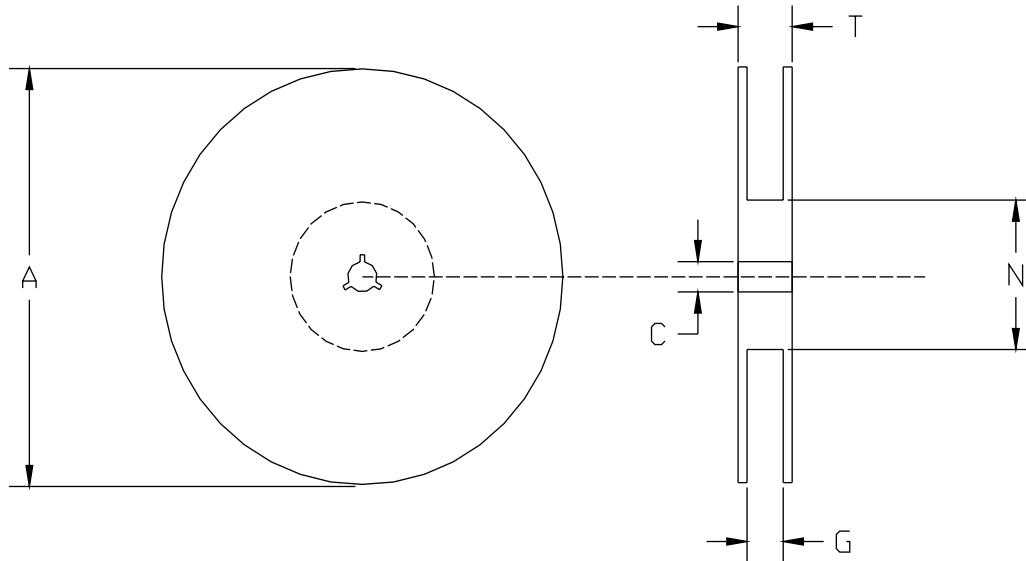
LPCC 4mm x 4 mm

	Description	Symbol	Size (in.)	Size (mm)
Cavity	Length	A0	0.171 ±0.004	4.35 ±0.1
	Width	B0	0.171 ±0.004	4.35 ±0.1
	Depth	K0	0.043 ±0.004	1.1 ±0.1
	Pitch	P	0.315 ±0.004	8.0 ±0.1
Distance Between Centerline	Cavity to Perforation (Length Direction)	P0	0.079 ±0.004	2.0 ±0.1
	Cavity to Perforation (Width Direction)	F	0.217 ±0.002	5.5 ±0.05
Carrier Tape	Width	W	0.472 ±0.012	12 ±0.3
Cover Tape	Width	C	0.366 ±0.004	9.3 ±0.1

LPCC 5mm x 5mm

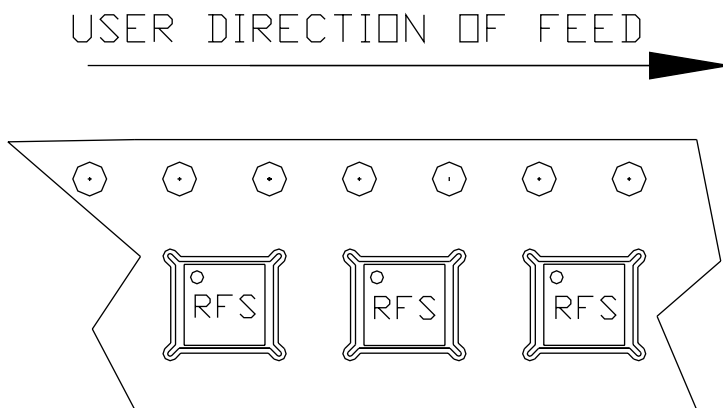
	Description	Symbol	Size (in.)	Size (mm)
Cavity	Length	A0	.207 ±0.004	5.25 ±0.1
	Width	B0	.207 ±0.004	5.25 ±0.1
	Depth	K0	0.043 ±0.004	1.1 ±0.1
	Pitch	P	0.315 ±0.004	8.0 ±0.1
Distance Between Centerline	Cavity to Perforation (Length Direction)		0.079 ±0.004	2.0 ±0.1
	Cavity to Perforation (Width Direction)	F	0.217 ±0.002	5.5 ±0.05
Carrier Tape	Width	W	0.472 ±0.012	12 ±0.3
Cover Tape	Width	C	0.366 ±0.004	9.3 ±0.1

REEL DIMENSIONS:

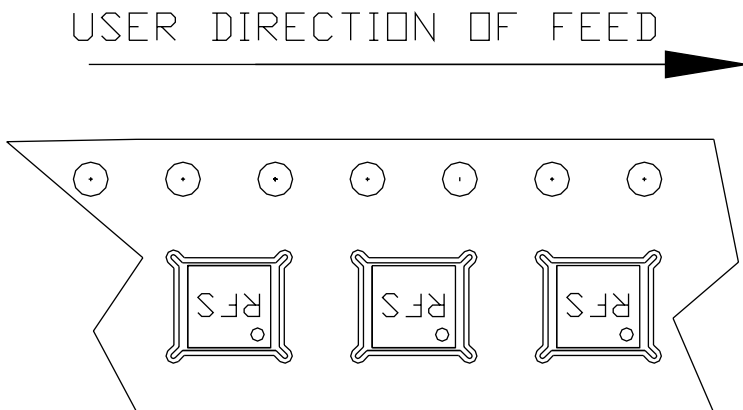


	Item	Symbol	13" Reel		7" Reel	
			Size (in.)	Size (mm)	Size (in.)	Size (mm)
Flange	Diameter	A	13.00+0.1, - 0.16	330.2 +2.5, -4.0	7.00 ± 0.079	178.0 ± 2.0
	Thickness	T	0.724 max	18.4 max	0.724 Max.	18.4 Max.
	Space Between Flanges	G	0.488 +0.08, -0.0	12.4 +2.0, -0.0	0.488 +0.080, -0.0	12.4 +2.0, -0.0
Hub	Outer Diameter	N	2.48 max	63.0 min	2.16 Min	55.0 Min.
	Spindle Hole Diameter	C	.512 ±0.008	13.0 ±0.2	0.512 ±0.008	13.0 ±0.2

ORIENTATION IN TAPE:



TR ORIENTATION FOR ALL
LPCC PACKGES



RTR ORIENTATION FOR ALL
LPCC PACKAGES

NOTES



ANADIGICS, Inc.

141 Mount Bethel Road
Warren, New Jersey 07059, U.S.A.
Tel: +1(908)668-5000
Fax: +1(908)668-5132

URL: <http://www.anadigics.com>
E-mail: Mktg@anadigics.com

IMPORTANT NOTICE

ANADIGICS, Inc. reserves the right to make changes to its products or to discontinue any product at any time without notice. The product specifications contained in Advanced Product Information sheets and Preliminary Data Sheets are subject to change prior to a product's formal introduction. Information in Data Sheets have been carefully checked and are assumed to be reliable; however, ANADIGICS assumes no responsibilities for inaccuracies. ANADIGICS strongly urges customers to verify that the information they are using is current before placing orders.

WARNING

ANADIGICS products are not intended for use in life support appliances, devices or systems. Use of an ANADIGICS product in any such application without written consent is prohibited.