

ADD NEW P/N	SUNLL 12/23/04	ADD P/N	ZJP 08/22/03	REVISION RECORD				
ADD NEW P/N	SUNLL 01/29/05	ADD P/N	shj 04/08/04	REV	ECO	DESCRIPTION	DRFT	CHKD
4 DRAWING MODIFY	SWEPP 09/03/05	DRAWING MODIFY	SHJ 09/11/04	△	△	ADD NEW P/N	XLF 6/21/02	
		DRAWING MODIFY	BILLWU 10/18/04	△	△	ADD NEW P/N	XLF 9/10/02	
				△	△	ADD NEW NOTE	LUSHENG 05/05/03	

NOTES:

Characteristics Description:

1. RJ45 10/100 Base-Tx Transformer Jack With Transformer/ Impedance Resistor/High Voltage Capacitor.
2. Size Same As RJ-45 Modular Jack To Save PCB Board Space.
3. Reduce EMI Radiation, Improve EMI Performance.
4. Designed For Network Interface Card Application.
5. Designed To Meet IEEE 802.3u Requirement.
6. Designed For 100 Base Transmission over UTP-5 Cable.
7. Operation Temperature Range: 0°C To 70°C

Electrical Specification:

1. Inductance At 100 KHZ, 100 mV DC Bias: 350 uH MIN
2. C W/W (PF MAX): 40 PF
3. Leakage Inductance At 100 KHZ DC 100 mV: 0.3 uH MAX
4. Insertion Loss: 1.0 dB MAX @ 1-80 MHZ
1.2 dB MAX @ 100 MHZ
5. Return Loss: 14 dB MIN @ 1-60 MHZ
10 dB MIN @ 60-100 MHZ
6. Cross Talk: 35 dB MIN @ 1-80 MHZ
7. ISOLATION VOLTAGE @60HZ:1500Vrms(INPUT TO OUTPUT) 60SEC. △

Mechanical:

1. Housing Material : Glass Filled Polyester UL94V-0 OR FR52. △
2. Contact Mateial : Phosphor Bronze t=0.35mm.
3. Plating : 1: Contact Area- Selectine Gold Plating.
2: Tails-Tin-Lead Over Nickel OR Lead Free. △△
4. Operating Life : 750 Cycles Min.
5. Pcb Retention Pre-Solder : 1 Lb Min.
6. Pcb Retention Post-Solder : 10 Lbs Min.
7. SHIELD: 0.25mm THICKNESS BRASS,(C2680 H);
SHIELD PLATED Nickel

Environmental:

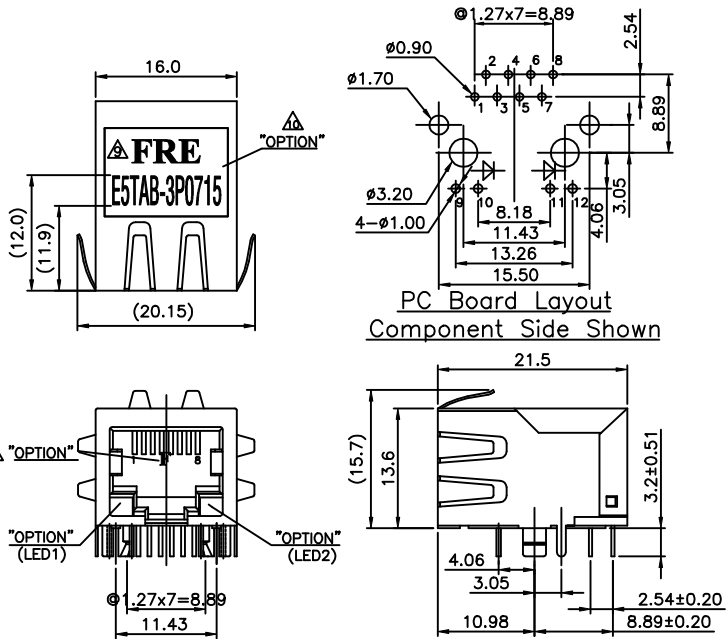
1. Storage : -40°C To+85°C.
- Mates With Modular Plug Conforming To Fcc Part 68, Subpart F.

LED SPECIFICATIONS:

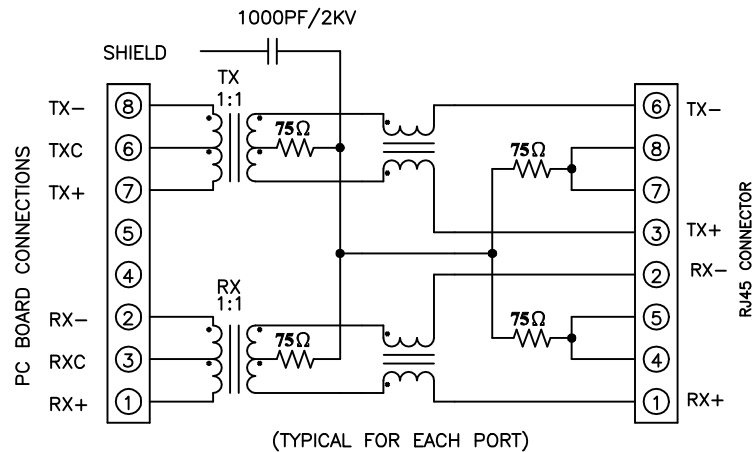
- COLOR: YELLOW GREEN
- FORWARD VOLTAGE(20mA) 2.5V(MAX) 2.5V(MAX)
- FORWARD VOLTAGE(20mA) 2.1V(TYP) 2.2V(TYP)
- POWER DISSIPATION: 105mW 105mW
- WAVE LENGTH: 590nm 565nm
- LUMINOUS INTENSITY(10mA):2-8MCD 8-32MCD

△ Part Number: E5TAB-XP07XX △

- △ 1- NO TAB
- G- W/TOP&SIDE TABS
- △ 3- W/ LEFT&RIGHT TABS W/LABEL PAPER W/O TOP TAB
- 1- LED1:YELLOW , LED2: GREEN 1-3u" 2-6u" 3-15u"
- △ J- LED1: GREEN ,LED2: YELLOW 4-30u" 5-50u"
- △ 0- LED1:YELLOW , LED2: GREEN, W/O "F"
- △ H- LED1:GREEN , LED2:GREEN W/O "F" LOGO



Schematic:



DETACHED LISTS	MM (INCH)	DFTO XLF	DATE 2/21/02	FULL RISE ELECTRONIC CO., LTD	
	TOLERANCES EXCEPT AS NOTED	CHKD THRY	DATE 2005/09/10		
	MM	MFO	DATE		
	.0 ±0.20	APPL/PETER	DATE 2005/08/10		
.00 ±0.15	MATERIAL :	TITLE		Transformer LED JACK	
.000 ±0.075	ANGLES ±	QT'Y :	DRAWING NO. GE5T3018		SIZE A3
	THIRD ANGLE PROJECTION	FINISH :	/PART NO. SEE NOTE		REV 10
		SCALE : 2:1	DO NOT SCALE DRAWING		09/03/05
			SHEET X		OF Y