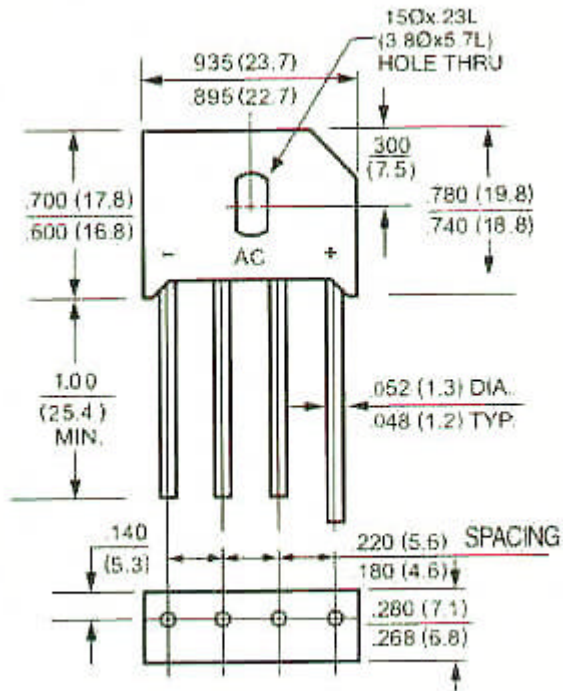


4.0 AMPERE-KBU OUTLINE

Type	Maximum Peak Reverse Voltage	Maximum Average Rectified Current @ Half-Wave Resistive Load 60Hz		Maximum Forward Peak Surge Current @ 8.3ms Superimposed	Maximum Reverse Current @ PRV @ 25 T _A	Maximum Forward Voltage @ 25 T _A	
	PRV	I _o @ T _A		I _{FM} (Surge)	I _R	I _{FM}	V _{FM}
	V _{PK}	A _{AV}		A _{PK}	μADC	A _{PK}	V _{PK}
KBU005	50	4.0	50	200	10	4.0	1.1
KBU01	100	4.0	50	200	10	4.0	1.1
KBU02	200	4.0	50	200	10	4.0	1.1
KBU04	400	4.0	50	200	10	4.0	1.1
KBU06	600	4.0	50	200	10	4.0	1.1
KBU08	800	4.0	50	200	10	4.0	1.1
KBU10	1000	4.0	50	200	10	4.0	1.1



KBU