

DATA SHEET

Part No.	AN15851B
Package Code No.	SSOP036-P-0450A

Maintenance/Discontinued includes following lifecycle stage.
planned maintenance type
maintenance type
planned discontinued type
discontinued type
Please visit following URL about latest information.
<http://www.semicon.panasonic.co.jp/en/>

Contents

■ Features	3
■ Applications	3
■ Package	3
■ Application Circuit Example	4
■ Block Diagram	5
■ Pin Description	6
■ Absolute Maximum Ratings	7
■ Operating Supply Voltage Range	7

Maintenance/Discontinued includes four Product lifecycle stage.
Discontinued
planned maintenance type
maintenance type
planned discontinued type
discontinued type
Please visit following URL about latest information.
<http://www.semicon.panasonic.co.jp/en/>

AN15851B

AV Switch IC

■ Features

- 4-input AV switch IC with RGB –YUV converter

■ Application

- Color TV

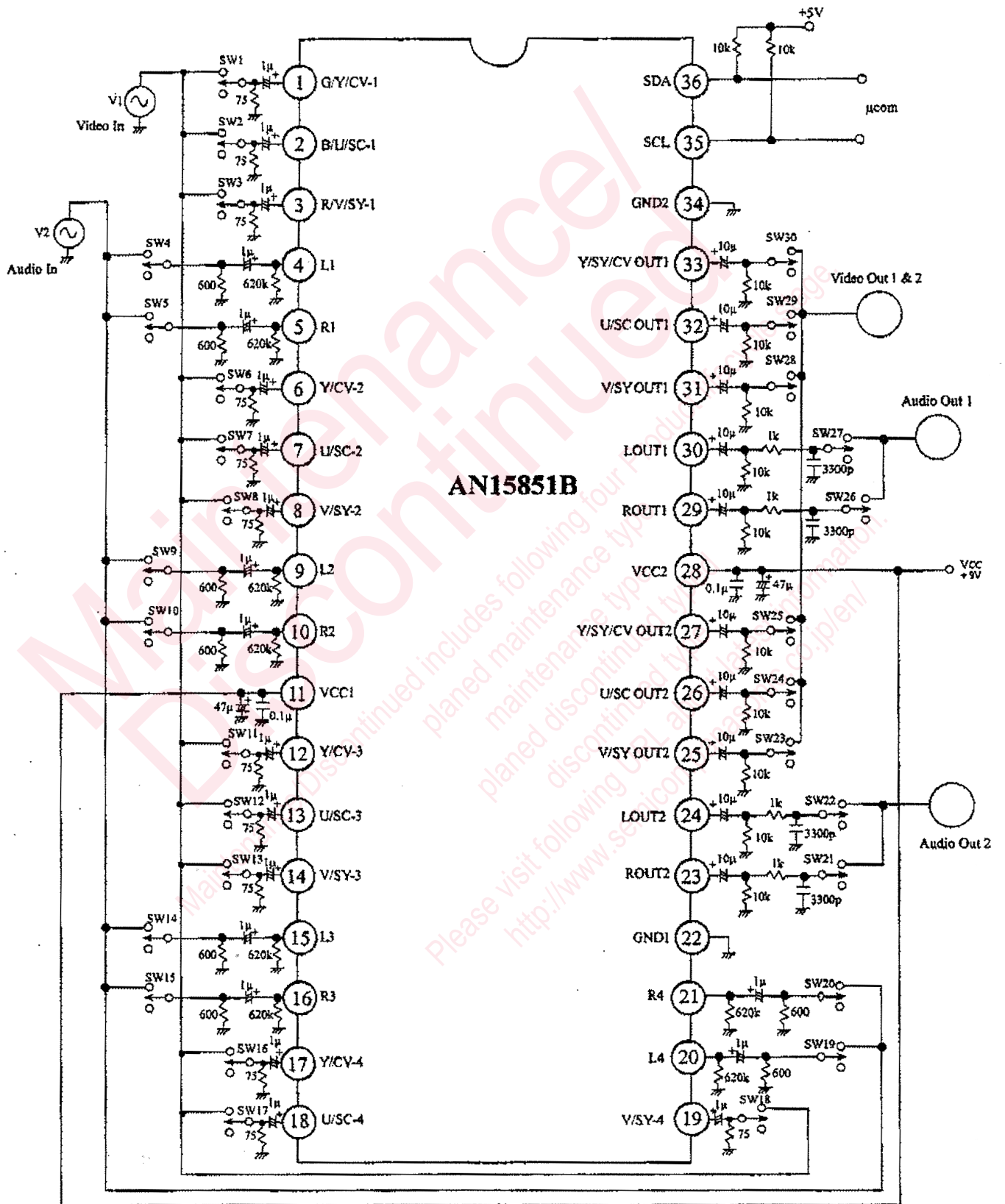
■ Package

- 36-USO pin plastic package (USONF-36D)

Maintenance/Discontinued

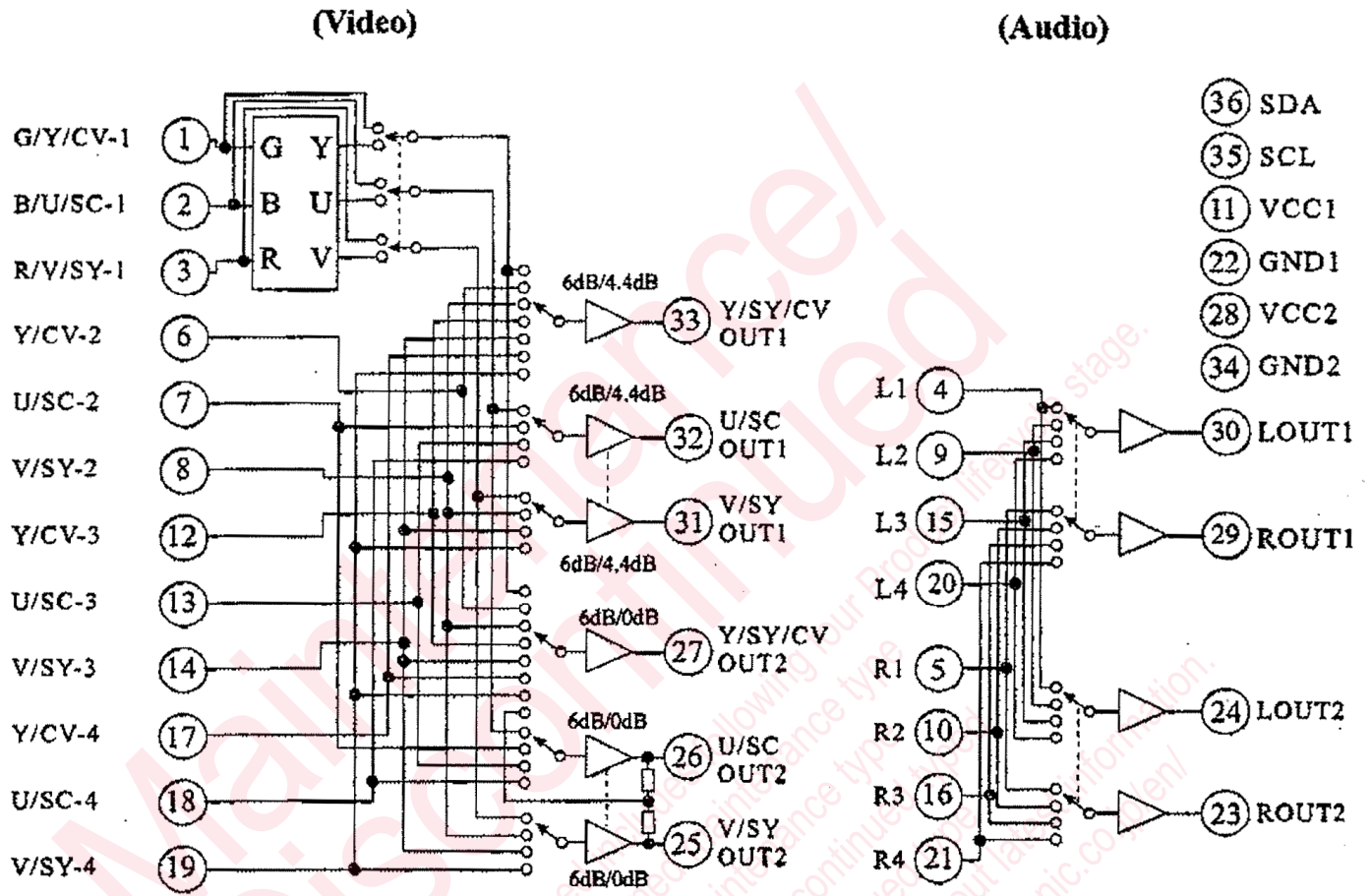
Maintenance/Discontinued includes four Product lifecycle stage.
planned maintenance type
maintenance type
planned discontinued type
discontinued type
Please visit following URL about latest information.
<http://www.semicon.panasonic.co.jp/en/>

Application Circuit Example



AN15851B

■ Block Diagram



■ Pin Descriptions

Pin No.	Description	Pin No.	Description
1	G, Y, CV-in1	19	V, SY-in4
2	B, U, SC-in1	20	L-in4
3	R, V, SY-in1	21	R-in4
4	L-in1	22	GND1
5	R-in1	23	R-out2
6	Y, CV-in2	24	L-out2
7	U, SC-in2	25	V, SY-out2
8	V, SY-in2	26	U, SC-out2
9	L-in2	27	Y, SY, CV-out2
10	R-in2	28	V _{CC2}
11	V _{CC1}	29	R-out1
12	Y, CV-in3	30	L-out1
13	U, SC-in3	31	V, SY-out1
14	V, SY-in3	32	U, SC-out1
15	L-in3	33	Y, SY, CV-out1
16	R-in3	34	GND2
17	Y, CV-in4	35	SCL
18	U, SC-in4	36	SDA

■ Absolute Maximum Ratings

No.	Parameter	Symbol	Rating	Unit	Note
1	Supply voltage	V_{CC}	14	V	—
2	Supply current	I_{CC}	60	mA	—
3	Power dissipation	P_D	840	mW	—
4	Storage temperature	T_{stg}	-55 to +150	°C	*1
5	Operating ambient temperature	T_{opr}	-20 to +70	°C	*1
6	Operating ambient atmospheric pressure	P_{opr}	$1.013 \times 10^5 \pm 0.61 \times 10^5$	Pa	—
7	Operating constant gravity	G_{opr}	9 810	m/s ²	—
8	Operating shock	S_{opr}	4 900	m/s ²	—

Note) Except for the storage temperature and operating ambient temperature, all ratings are for $T_a = 25^\circ\text{C}$.

■ Operating Supply Voltage Range

Parameter	Symbol	Range	Unit	Note
Operating Supply Voltage Range	V_{CC}	8.1 to 9.9	V	—

Request for your special attention and precautions in using the technical information and semiconductors described in this book

- (1) If any of the products or technical information described in this book is to be exported or provided to non-residents, the laws and regulations of the exporting country, especially, those with regard to security export control, must be observed.
- (2) The technical information described in this book is intended only to show the main characteristics and application circuit examples of the products, and no license is granted under any intellectual property right or other right owned by our company or any other company. Therefore, no responsibility is assumed by our company as to the infringement upon any such right owned by any other company which may arise as a result of the use of technical information described in this book.
- (3) The products described in this book are intended to be used for standard applications or general electronic equipment (such as office equipment, communications equipment, measuring instruments and household appliances).
Consult our sales staff in advance for information on the following applications:
 - Special applications (such as for airplanes, aerospace, automobiles, traffic control equipment, combustion equipment, life support systems and safety devices) in which exceptional quality and reliability are required, or if the failure or malfunction of the products may directly jeopardize life or harm the human body.
 - Any applications other than the standard applications intended.
- (4) The products and product specifications described in this book are subject to change without notice for modification and/or improvement. At the final stage of your design, purchasing, or use of the products, therefore, ask for the most up-to-date Product Standards in advance to make sure that the latest specifications satisfy your requirements.
- (5) When designing your equipment, comply with the range of absolute maximum rating and the guaranteed operating conditions (operating power supply voltage and operating environment etc.). Especially, please be careful not to exceed the range of absolute maximum rating on the transient state, such as power-on, power-off and mode-switching. Otherwise, we will not be liable for any defect which may arise later in your equipment.
 - Even when the products are used within the guaranteed values, take into the consideration of incidence of break down and failure mode, possible to occur to semiconductor products. Measures on the systems such as redundant design, arresting the spread of fire or preventing glitch are recommended in order to prevent physical injury, fire, social damages, for example, by using the products.
- (6) Comply with the instructions for use in order to prevent breakdown and characteristics change due to external factors (ESD, EOS, thermal stress and mechanical stress) at the time of handling, mounting or at customer's process. When using products for which damp-proof packing is required, satisfy the conditions, such as shelf life and the elapsed time since first opening the packages.
- (7) This book may be not reprinted or reproduced whether wholly or partially, without the prior written permission of Matsushita Electric Industrial Co., Ltd.