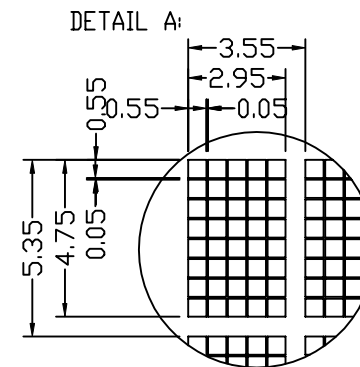


1	2	3	4	5	6	7	8	9	10	11	12	13	14	15	16
V _{SS}	V _{CC}	V _{EE}	RS	R/W	E	DB0	DB1	DB2	DB3	DB4	DB5	DB6	DB7	A	K

NOTES:

- 1.DISPLAY TYPE: STN/YELLOW-GREEN MODE
- 2.VIEWING DIRECTION: 6:00
- 3.POLARIZER MODE: TRANSFLECTIVE/POSITIVE
- 4.DRIVE METHOD: 1/16 DUTY 1/5 BIAS
- 5.LCD OPERATING VOLTAGE: 4.3V
- 6.OPERATING TEMP.: 0°C-+50°C
- 7.STORAGE TEMP.: -20°C-+60°C
- 8.CONTROLLER: S6A0069X01-COCX(KS0066UP-00)
- 9.BACKLIGHT TYPE: LED
- 10.UNMARKED TOLERANCES: ±0.3mm
- 11.THE BEZEL IS TO BE PAINTED BLACK.



TIAN-MA MICROELECTRONICS CO.

6/F., CASTIC Building, Shennan Road, Central, Shenzhen, China

DRAWN BY:	TITLE: TM2041BC6	
CHECKED BY:	DWG NO:	
APPROVED BY:	DWG NAME:	UNIT: mm
CONFIRMED BY:	SHEET NO: OF	