



N Tee Adapter Female-Female-Female

TECHNICAL DATA SHEET

PE9101

N Tee Adapter Female-Female-Female

Configuration

Connector 1	N Female
Impedance 1	50 Ohms
Connector Specification 1	MIL-STD-348A
Connector 2	N Female
Impedance 2	50 Ohms
Connector Specification 2	MIL-STD-348A
Connector 3	N Female
Connector Specification 3	MIL-STD-348A
Adapter Design	Standard
Body Style	Tee

Electrical Specifications

Frequency Range, GHz	DC to 11
Maximum Operating Voltage, Volts	1,000
Dielectric Withstanding Voltage, Vrms	2,500

Mechanical Specifications

Temperature

Operating Range, deg C	-65 to +165
------------------------	-------------

Size

Length, in [mm]	1.75 [44.45]
Width/Dia., in [mm]	0.63 [16]
Height, in [mm]	1.22 [30.99]

Connector 1

Type	N Female
Inner Conductor Material and Plating	Beryllium Copper, Silver
Inner Conductor Plating Specification	70µ in. minimum
Body Material and Plating	Brass, Nickel
Body Plating Specification	100µ in. minimum
Dielectric Type	Teflon

Connector 2

Type	N Female
Inner Conductor Material and Plating	Beryllium Copper, Silver
Inner Conductor Plating Specification	70µ in. minimum
Body Material and Plating	Brass, Nickel
Body Plating Specification	100µ in. minimum
Dielectric Type	Teflon

Click the following link (or enter part number in "SEARCH" on website) to obtain additional part information including price, inventory and certifications: [N Tee Adapter Female-Female-Female PE9101](#)

The information contained in this document is accurate to the best of our knowledge and representative of the part described herein. It may be necessary to make modifications to the part and/or the documentation of the part, in order to implement improvements. Pasternack reserves the right to make such changes as required. Unless otherwise stated, all specifications are nominal.





N Tee Adapter Female-Female-Female

TECHNICAL DATA SHEET

PE9101

Connector 3

Type	N Female
Inner Conductor Material and Plating	Beryllium Copper, Silver
Inner Conductor Plating Specification	70μ in. minimum
Body Material and Plating	Brass, Nickel
Body Plating Specification	100μ in. minimum

Compliance Certifications (visit www.Pasternack.com for current document)

RoHS Compliant	Yes
----------------	-----

Plotted and Other Data

Notes:	Values at 25 °C, sea level
--------	----------------------------

N Tee Adapter Female-Female-Female from Pasternack Enterprises has same day shipment for domestic and International orders. Our RF, microwave and fiber optic products maintain a 99% availability and are part of the broadest selection in the industry.

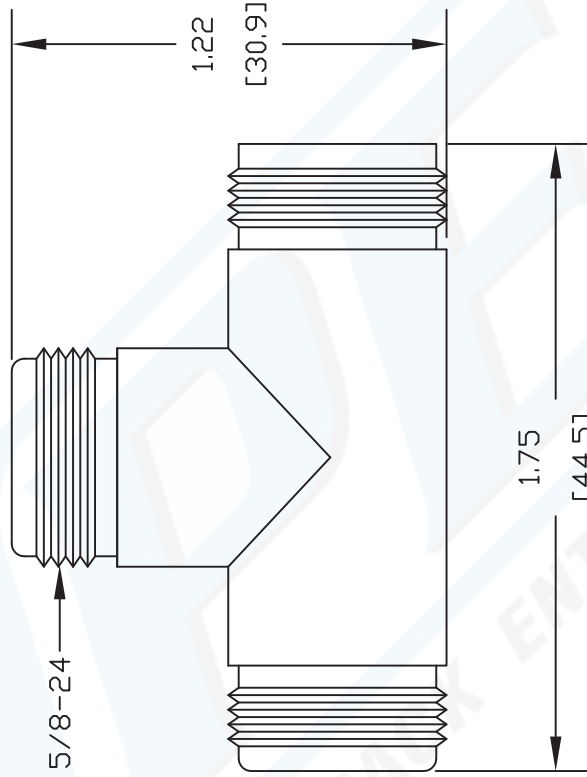
Click the following link (or enter part number in "SEARCH" on website) to obtain additional part information including price, inventory and certifications: [N Tee Adapter Female-Female-Female PE9101](http://www.pasternack.com/n-female-female-female-tee-adapter-pe9101-p.aspx)

URL: <http://www.pasternack.com/n-female-female-female-tee-adapter-pe9101-p.aspx>

The information contained in this document is accurate to the best of our knowledge and representative of the part described herein. It may be necessary to make modifications to the part and/or the documentation of the part, in order to implement improvements. Pasternack reserves the right to make such changes as required. Unless otherwise stated, all specifications are nominal.

PE9101 CAD Drawing

N Tee Adapter Female-Female-Female



NOTES:
 1. UNLESS OTHERWISE SPECIFIED ALL DIMENSIONS ARE NOMINAL.
 2. ALL SPECIFICATIONS ARE SUBJECT TO CHANGE WITHOUT NOTICE AT ANY TIME.
 3. DIMENSIONS ARE IN INCHES [mm].

DWG TITLE

PE9101

REV. -

FSCM NO. 53919

CAD FILE 082302

SCALE N/A

SIZE A

127



PASTERNAK[®]
 Pasternack Enterprises, Inc.
 P.O. Box 16759 | Irvine | CA | 92623
Phone: (949) 261-1920 | **Fax:** (949) 261-7451
Website: www.pasternack.com | **E-Mail:** sales@pasternack.com