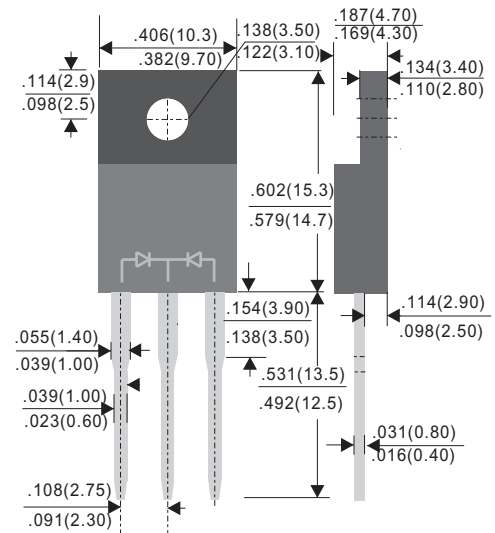


**10.0 AMP GLASS PASSIVATED SUPER FAST RECTIFIER  
ITO-220 PACKAGE**

**Pb Free Product**

**FEATURES**

- \* Low switching noise
- \* Low thermal resistance
- \* High current capability
- \* Super fast switching speed
- \* High reliability
- \* Good for switching mode circuit
- \* Glass passivated junction
- \* RoHS product for packing code suffix "G"
- Halogen free product for packing code suffix "H"



Dimensions in inches and (millimeters)

**MAXIMUM RATINGS AND ELECTRICAL CHARACTERISTICS**

Ratings at 25°C ambient temperature unless otherwise specified.

Single phase half wave, 60Hz, resistive or inductive load.

For capacitive load, derate current by 20%

RATINGS	SYMBOL	SF101FC	SF102FC	SF103FC	SF104FC	SF105FC	SF106FC	SF108FC	UNIT
Marking Code		SF101C	SF102C	SF103C	SF104C	SF105C	SF106C	SF108C	
Maximum Recurrent Peak Reverse Voltage	V <sub>RRM</sub>	50	100	150	200	300	400	600	Volts
Maximum RMS Voltage	V <sub>RMS</sub>	35	70	105	140	210	280	420	Volts
Maximum DC Blocking Voltage	V <sub>DC</sub>	50	100	150	200	300	400	600	Volts
Maximum Average Forward Rectified Current at T <sub>c</sub> = 125°C	I <sub>o</sub>	10.0							Amps
Peak Forward Surge Current 8.3 ms single half sine-wave superimposed on rated load (JEDEC method)	I <sub>FSM</sub>	100							Amps
Typical Thermal Resistance	R <sub>θJA</sub>	3							°C/W
Typical Junction Capacitance (Note 2)	C <sub>J</sub>	50				30			pF
Operating Temperature Range	T <sub>J</sub>	-65 to +150							°C
Storage Temperature Range	T <sub>sTG</sub>	-65 to +150							°C

CHARACTERISTICS	SYMBOL	SF101FC	SF102FC	SF103FC	SF104FC	SF105FC	SF106FC	SF108FC	UNIT
Maximum Forward Voltage at 5.0A DC(Note 3)	V <sub>F</sub>	1.00				1.35	1.75		Volts
Maximum Average Reverse Current at Rated DC Blocking Voltage	@T <sub>c</sub> =25°C	10.0							μAmps
	@T <sub>c</sub> =100°C	500							
Maximum Reverse Recovery Time (Note 1)	T <sub>rr</sub>	35							nS

- NOTES :1. Test Conditions: I<sub>F</sub> = 0.5A, I<sub>R</sub> = -1.0A, I<sub>RR</sub> = -0.25A  
 2. Measured at 1 MHz and applied reverse voltage of 4.0 volts.  
 3. Suffix "A" =Common Anode.

10.0 AMP GLASS PASSIVATED SUPER FAST RECTIFIER  
ITO-220 PACKAGE

RATING AND CHARACTERISTIC CURVES ( SF101FC THRU SF108FC )

