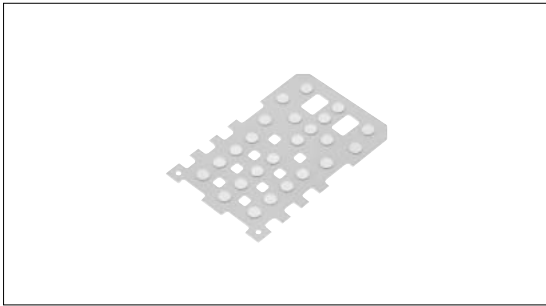




Highly reliable contact from 3-dimple dome metal contact and adhesive printing diamond shape.



Detector

Push

Slide

Rotary

Encoders

Power

Dual-in-line
 Package Type

TACT Switch™

Custom-
 Products

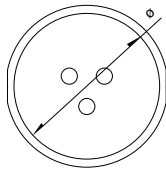
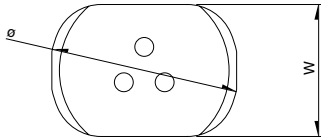
Product Line

Specification	Varieties						
	φ3	φ4	φ5	φ6	φ4 × 2.8 sidecut	φ5 × 3.5 sidecut	φ6 × 4 sidecut
SIZE	φ3	φ4	φ5	φ6	φ4 × 2.8 sidecut	φ5 × 3.5 sidecut	φ6 × 4 sidecut
Operating Force	1.6N	1.3N, 1.6N 2.0N	1.3N, 1.6N	1.6N, 3.0N	1.6N, 1.8N 2.0N	1.6N, 1.8N	1.0N
Travel	0.12±0.1mm	0.15±0.1mm	0.20±0.1mm	0.26±0.1mm	0.20±0.1mm	0.25±0.1mm	0.24±0.1mm
Height	0.24±0.1mm	0.27±0.1mm	0.32±0.1mm	0.38±0.1mm	0.32±0.1mm	0.37±0.1mm	0.36±0.1mm

*Endurance specification :
 Operating life 1,000,000 cycles
 Operating temperature range - 20 to + 70
 Storage temperature range - 40 to + 85

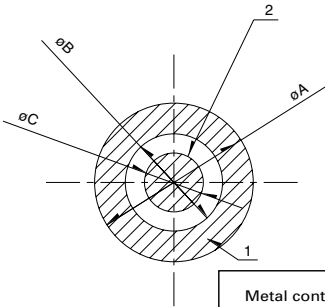
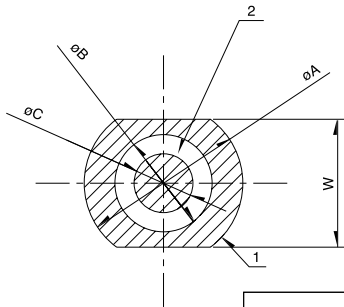
Dimensions

Unit:mm

Style													
Metal contact													
													
<table border="1" style="border-collapse: collapse;"> <thead> <tr> <th></th> <th>ø</th> <th>W</th> </tr> </thead> <tbody> <tr> <td>ø4 Side cut</td> <td>4</td> <td>2.8</td> </tr> <tr> <td>ø5 Side cut</td> <td>5</td> <td>3.5</td> </tr> <tr> <td>ø6 Side cut</td> <td>6</td> <td>4</td> </tr> </tbody> </table>			ø	W	ø4 Side cut	4	2.8	ø5 Side cut	5	3.5	ø6 Side cut	6	4
	ø	W											
ø4 Side cut	4	2.8											
ø5 Side cut	5	3.5											
ø6 Side cut	6	4											

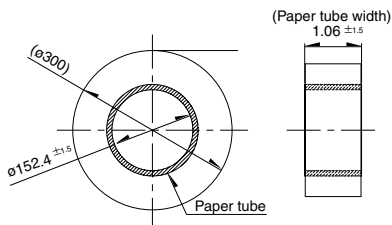
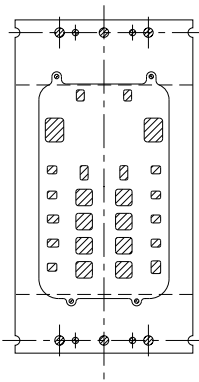
Recommend Pattern

Unit:mm

 <table border="1" style="margin-left: auto; margin-right: auto; border-collapse: collapse;"> <thead> <tr> <th rowspan="2">Metal contact size</th> <th colspan="3">Dimensions</th> </tr> <tr> <th>øA</th> <th>øB</th> <th>øC</th> </tr> </thead> <tbody> <tr> <td>ø3</td> <td>3.6</td> <td>2</td> <td>1.6</td> </tr> <tr> <td>ø4</td> <td>5.2</td> <td>2.8</td> <td>2.1</td> </tr> <tr> <td>ø5</td> <td>6.2</td> <td>3.8</td> <td>2.3</td> </tr> <tr> <td>ø6</td> <td>7.1</td> <td>4.8</td> <td>3.8</td> </tr> </tbody> </table>	Metal contact size	Dimensions			øA	øB	øC	ø3	3.6	2	1.6	ø4	5.2	2.8	2.1	ø5	6.2	3.8	2.3	ø6	7.1	4.8	3.8	 <table border="1" style="margin-left: auto; margin-right: auto; border-collapse: collapse;"> <thead> <tr> <th rowspan="2">Metal contact size</th> <th colspan="4">Dimensions</th> </tr> <tr> <th>øA</th> <th>øB</th> <th>øC</th> <th>W</th> </tr> </thead> <tbody> <tr> <td>ø4 Side cut</td> <td>5.2</td> <td>2.8</td> <td>2.1</td> <td>4.2</td> </tr> <tr> <td>ø5 Side cut</td> <td>6.2</td> <td>3.8</td> <td>2.3</td> <td>5</td> </tr> <tr> <td>ø6 Side cut</td> <td>7.1</td> <td>4.8</td> <td>3.8</td> <td>5.5</td> </tr> </tbody> </table>	Metal contact size	Dimensions				øA	øB	øC	W	ø4 Side cut	5.2	2.8	2.1	4.2	ø5 Side cut	6.2	3.8	2.3	5	ø6 Side cut	7.1	4.8	3.8	5.5
Metal contact size		Dimensions																																														
	øA	øB	øC																																													
ø3	3.6	2	1.6																																													
ø4	5.2	2.8	2.1																																													
ø5	6.2	3.8	2.3																																													
ø6	7.1	4.8	3.8																																													
Metal contact size	Dimensions																																															
	øA	øB	øC	W																																												
ø4 Side cut	5.2	2.8	2.1	4.2																																												
ø5 Side cut	6.2	3.8	2.3	5																																												
ø6 Side cut	7.1	4.8	3.8	5.5																																												

Package Specification

Unit:mm

Reel	Single pieces
	

Note

Above are specifications in general. This product is custom designed for each customer. Therefore specifications will be discussed independently.