

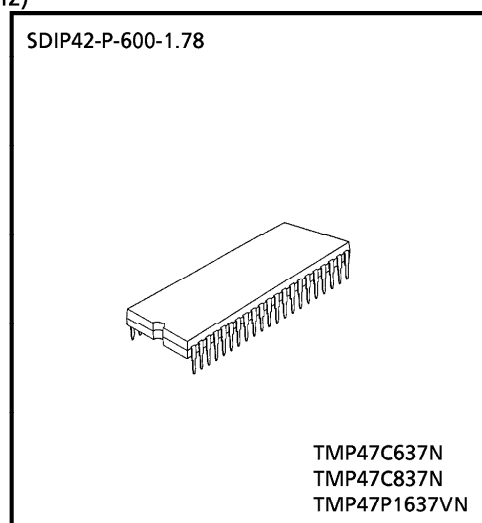
CMOS 4-BIT MICROCONTROLLER
TMP47C637N, TMP47C837N

The 47C637/837 are based on the TLCS-470A series. The 47C1237/1637 have on-screen display circuit (OSD) to display characters and marks which indicate channel or time on TV screen, A/D converter (Comparator) input, D/A converter output such as TV.

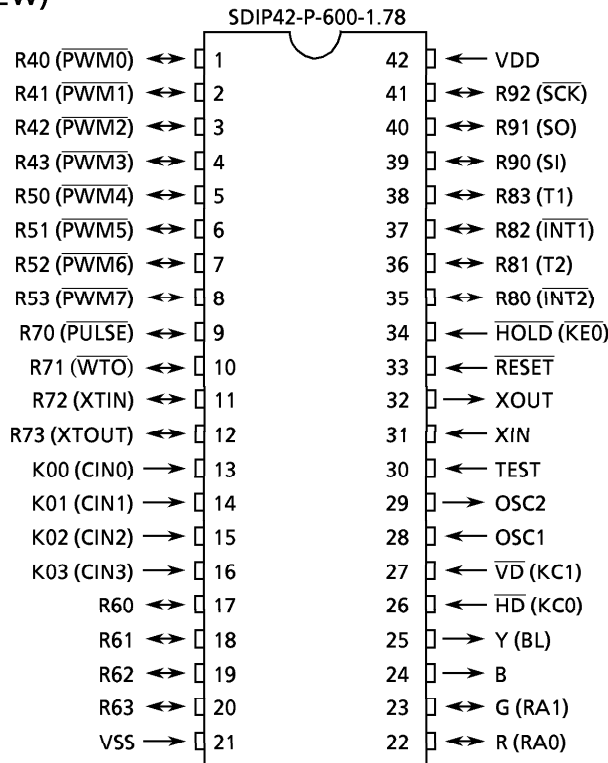
PART No.	ROM	RAM	PACKAGE	OTP
TMP47C637N	6144 × 8-bit	384 × 4-bit	SDIP42-P-600-1.78	TMP47P1637VN
TMP47C837N	8192 × 8-bit			

FEATURES

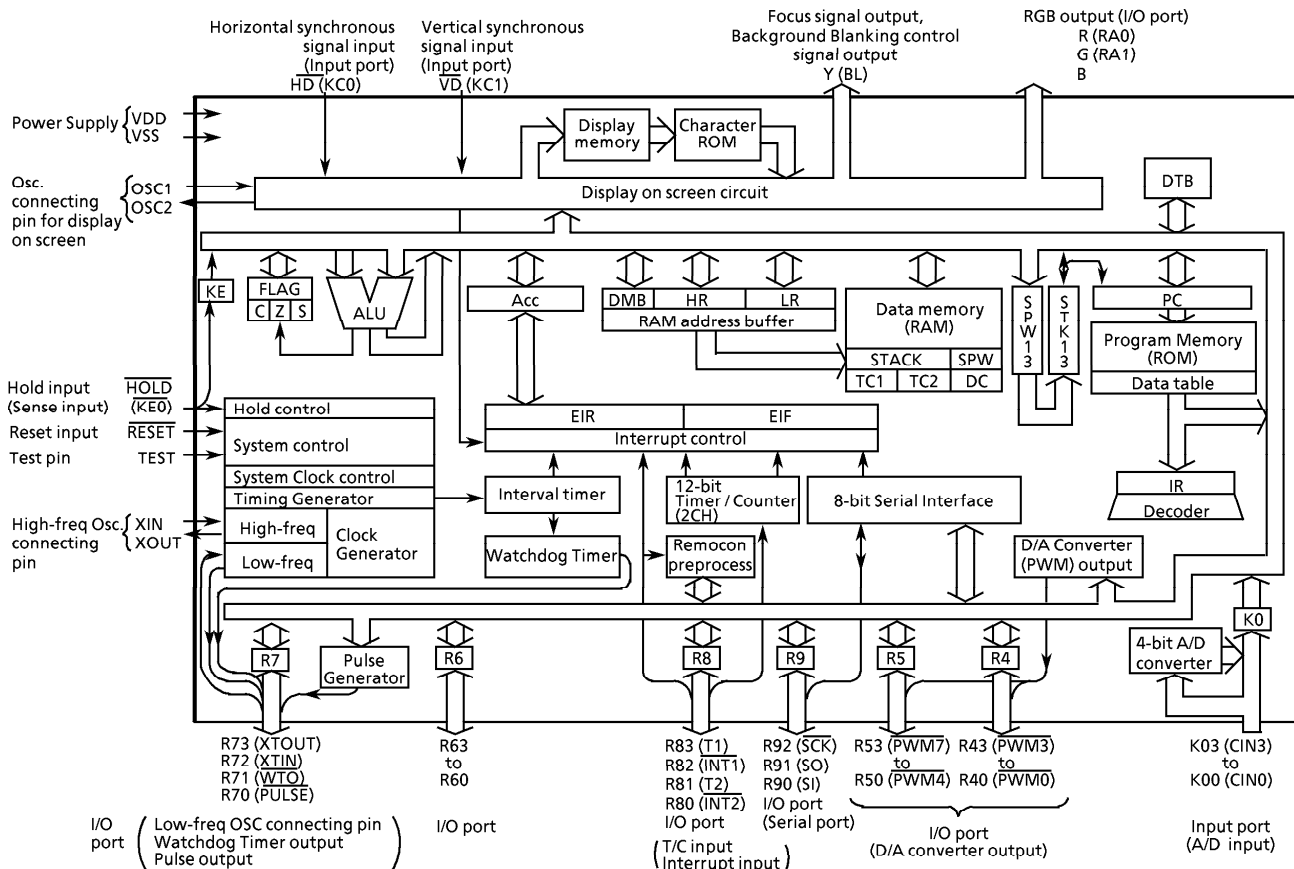
- ◆ 4-bit single chip microcomputer
- ◆ Instruction execution time : 1.3 μ s (at 6 MHz), 244 μ s (at 32.8 kHz)
- ◆ 105 basic instructions
- ◆ Subroutine nesting : 15 levels max.
- ◆ 6 interrupt sources (External : 2, Internal : 4)
 - All sources have independent latches each, and multiple interrupt control is available
- ◆ I/O port (32 pins)
 - Input 3 ports 7 pins
 - I/O 7 ports 25 pins
- ◆ Two 12-bit Timer / Counters
- ◆ Interval Timer
- ◆ Watchdog Timer
- ◆ Serial Interface with 8-bit buffer
- ◆ On Screen Display circuit
 - Character patterns : 128 Characters
 - Characters displayed : 20 columns × 4 lines
 - Composition : 14 × 18 dots (80 Characters)
7 × 9 dots (48 Characters)
 - Size of character : 3 kinds (line by line)
 - Color of character : 7 kinds (character by character)
 - Variable display position : Horizontal/Vertical 128 steps
 - Fringing, Smoothing function
- ◆ D/A converter (Pulse width modulation) outputs
 - 14-bit resolution 1 channel
 - 7-bit resolution 7 channels
- ◆ 4-bit A/D converter (Comparator) input (4 Channels)
- ◆ Horizontal synchronous signal is detected by timer/counter
- ◆ Pulse output (Clock for PLL IC)
- ◆ Remote control pulse detector
- ◆ High current outputs : LED direct drive (typ. 20 mA × 4 bits)
- ◆ Dual-clock operation
 - High-speed / low-power consumption operating mode
- ◆ Hold function : Battery / Capacitor back-up
- ◆ Real Time Emulator : BM47C1638N0A



PIN ASSIGNMENT (TOP VIEW)



BLOCK DIAGRAM



PIN FUNCTION

PIN NAME	Input/Output	FUNCTIONS	
K03 (CIN3) to K00 (CIN0)	Input (Input)	4-bit input port.	A/D conversion (Comparator) input
R43 (PWM3) to R41 (PWM1)	I/O (Output)	4-bit I/O port with latch. When used as input port or D/A converter outputs pins, the latch must be set to "1".	7-bit D/A converter (PWM) output
R40 (PWM0)			14-bit D/A converter (PWM) output
R53 (PWM7) to R50 (PWM4)	I/O (Output)		7-bit D/A converter (PWM) output
R63 to R60	I/O	4-bit I/O port with latch. When used as input port, the latch must be set to "1".	
R73 (XTOUT)	I/O (Output)	4-bit I/O port with latch. When used as input port watchdog output pin, or pulse output pin, the latch must be set to "1".	Resonator connecting pin (Low frequency)
R72 (XTIN)	I/O (Input)		
R71 (\overline{WTO})	I/O (Output)		Watchdog timer output
R70 (PULSE)			Pulse output (Clock for PLL IC)
R83 (T1)	I/O (Input)	4-bit I/O port with latch. When used as input port, external interrupt input pin, or timer / counter external input pin, the latch must be set to "1".	Timer / Counter 1 external input
R82 ($\overline{INT1}$)			External interrupt 1 input
R81 (T2)			Timer / Counter 2 external input
R80 ($\overline{INT2}$)			External interrupt 2 or REMO-CON input
R92 (\overline{SCK})	I/O (I/O)	3-bit I/O port with latch. When used as input port or serial port, the latch must be set to "1".	Serial clock I/O
R91 (SO)	I/O (Output)		Serial data output
R90 (SI)	I/O (Input)		Serial data input
G (RA1)	Output (I/O)	RGB output	2-bit I/O port with latch. When used as input port, the latch must be set to "1".
R (RA0)			
B	Output		
Y	Output	Focus signal output	
BL		Background blanking control signal output	
\overline{HD} (KC0)	Input	Horizontal synchronous signal input.	2-bit input port
\overline{VD} (KC1)		Vertical synchronous signal input.	
OSC1, OSC2	Input, Output	Resonator connecting pin of display on screen circuit.	
XIN, XOUT		Resonator connecting pin (High frequency). For inputting external clock, XIN is used and XOUT is opened.	
\overline{RESET}	Input	Reset signal input	
\overline{HOLD} (KE0)	Input (Input)	Hold request/release signal input	Sense input
TEST	Input	Test pin for out-going test. Be opened or fixed to low level.	
VDD	Power Supply	+ 5 V	
VSS		0 V (GND)	

OPERATIONAL DESCRIPTION

Concerning the 47C637/837 the configuration and functions of hardware are described. As the description has been provided with priority on those parts differing from the 47C1260/1660, the technical data sheets for the 47C1260/1660 shall all so be referred to.

1. SYSTEM CONFIGURATION

◆ INTERNAL CPU FUNCTION

They are the same as those of the 47C1260/1660 except data memory (ROM) and data memory (RAM).

◆ PERIPHERAL HARDWARE FUNCTION

- ① Input / Output Ports
- ② Internal Timer
- ③ Timer / Counters (TC1, TC2)
- ④ Watchdog Timer
- ⑤ Remote control pulse detector
- ⑥ On-screen display (OSD) control circuit
- ⑦ A/D converter (Comparator) input
- ⑧ D/A converter (Pulse width modulation) output
- ⑨ Pulse output circuit
- ⑩ Serial Interface

The description has been provide with priority on functions (①, ⑥, ⑦, ⑧ and ⑨) added to and changed from 47C1260/1660.

2. INTERNAL CPU FUNCTIONS

2.1 Program Memory

With the 47C837, programs are stored at address 0000 to 1FFF_H and, with the 47C637, programs are stored at address 0000-17FF_H.

Also, with the 47C1237, "0" is read out when address 1800 to 1FFF_H are accessed by a program.

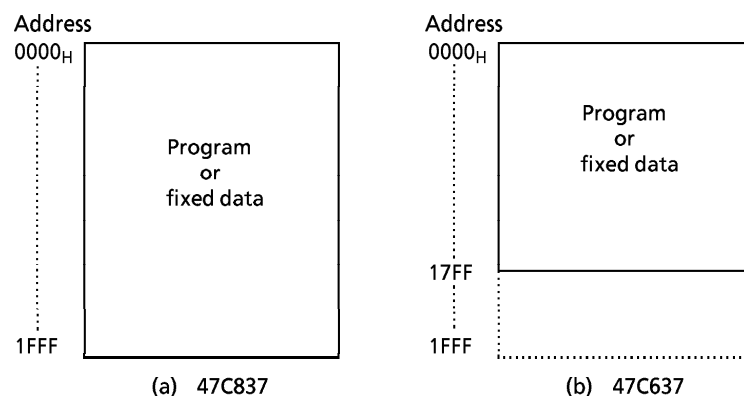


Figure 2-1. Program Memory

Note1. When ordering a mask, write character ROM data to the address 00 to 56F8H.

2.2 Data Memory (RAM)

The 47C637/837 contains 256 × 4 bits memory bank 0 (DMB = 0) and 128 × 4 bits data memory bank 1 (DMB = 1). The bank is controlled by DMB.

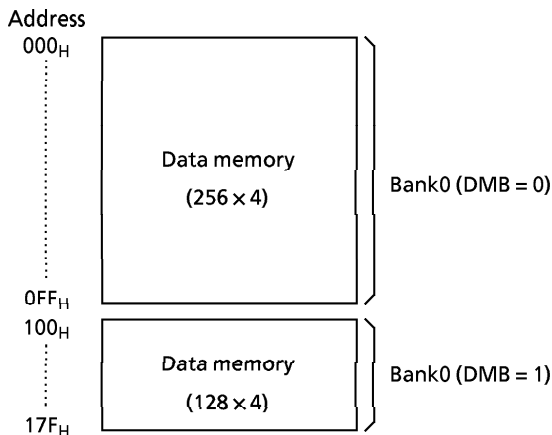


Figure 2-2. Data Memory (RAM)

3. PERIPHERAL HARDWARE FUNCTION

3.1 Input / Output Ports

The 47C637 / 837 have 10 I/O ports (32 pins) each as follows :

- ① K0 ; 4-bit input (shared with the comparator input)
- ② R4, R5 ; 4-bit input / output (shared with the pulse width modulation output)
- ③ R6 ; 4-bit input / output
- ④ R7 ; 4-bit input / output (shared with the low-frequency resonator connection pins, the watchdog timer output, the pulse output)
- ⑤ R8 ; 4-bit input / output (shared with external interrupt input and timer/counter input)
- ⑥ R9 ; 3-bit input / output (shared with serial port)
- ⑦ RA ; 2-bit input / output (shared with the on screen display output)
- ⑧ KC ; 2-bit input (shared with the horizontal and vertical synchronous signal input)
- ⑨ KE ; 1-bit sense input (shared with hold request / release signal input)

The description has been provide with priority on functions (①, ②, ④ and ⑧) added to and changed from 47C1660. And it describes port of ⑦, which item of on screen display circuit.

3.1.1 I/O Port

(1) Port K0 (K03 to K00)

The 4-bit input port. Port K0 is shared digital input with the A/D converter (comparator) input. The K0 port input selector (OP13) determines whether this port is to be used for digital or comparator input. The most significant bit of the K0 port input selector is set to "1" for digital input and to "0" for comparator input.

The K0 port input selector is initialized to "0" during reset.

K0 port (Port address IP00)

3	2	1	0
K03 (CIN3)	K02 (CIN2)	K01 (CIN1)	K00 (CIN0)

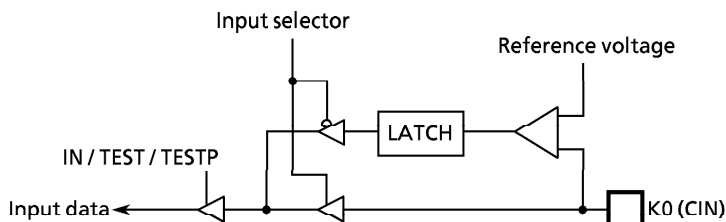


Figure 3-1. Port K0

(2) Port R4 (R43 to R40), Port R5 (R53 to R50)

These are 4-bit I/O port with latch. They are also used for D/A converter (PWM) output port. R4 port output buffers are Tri-state, and each bit of them can be controlled independently by the program. R5 port is also Tri-state port and they are controlled by the program. Controlling the Tri-state is performed by the command register accessed as port address OP00 and OP13. When some bit of the command register data is 0, the corresponding bit of the output buffers becomes high impedance state. The output latch should be set to "1" when the port is used as $\overline{\text{PWM}}$ output port, the $\overline{\text{PWM}}$ output should be to "H" level (PWM data is all "0") when the port is used as R4 and R5 port. The output buffers should be set to high impedance state, when the port is used as input port. And the output latch be set to "1", $\overline{\text{PWM}}$ output be set to "High" level, and the output buffer be set to High-Impedance state during reset.

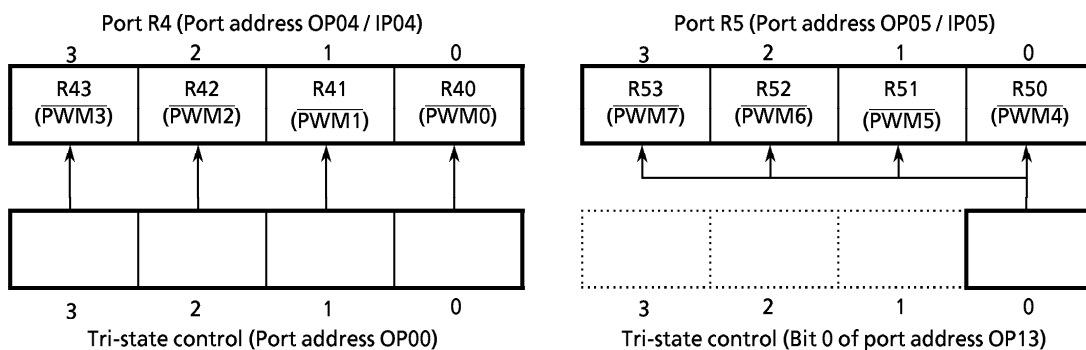


Figure 3-2. Port R4 ($\overline{\text{PWM}}$), R5 ($\overline{\text{PWM}}$) (1/2)

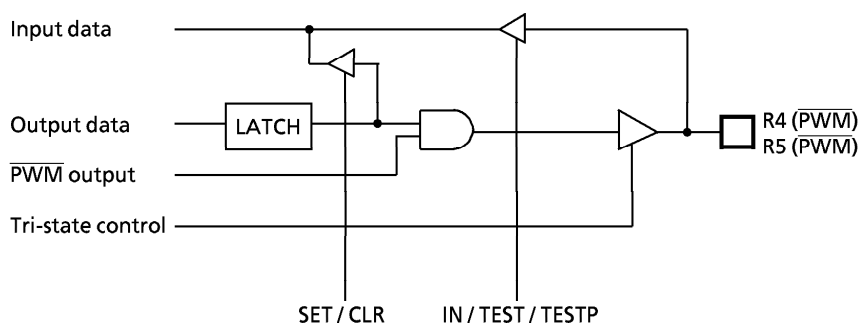


Figure 3-2. Port R4 ($\overline{\text{PWM}}$), R5 ($\overline{\text{PWM}}$) (2/2)

(3) Port R7 (R73 to R70)

Port R7 is shared by the low-frequency resonator connection pins (XTIN, XTOUT), pulse output pin ($\overline{\text{PULSE}}$) and the watchdog timer output pin ($\overline{\text{WTO}}$). For the dual-clock mode operation, the low-frequency resonator(32.768 kHz,) is connected to R72 (XTIN) and R73 (XTOUT) pins. For the single-clock mode operation, R72 and R73 pins are used for the ordinary I/O ports. When the watchdog timer is used, R71 ($\overline{\text{WTO}}$) becomes the watchdog timer output pin.

The watchdog timer output is the logical AND output with the port R71 output latch. To use the R71 pin for an ordinary I/O port, the watchdog timer must be disabled (with the watchdog timer output set to "1"). When the pulse output is used, R70 ($\overline{\text{PULSE}}$) becomes the pulse output pin. The pulse output is the logical AND output with the port R70 output latch. To use the R70 pin for an ordinary I/O port, the pulse output must be disabled (with the pulse output set to "1").

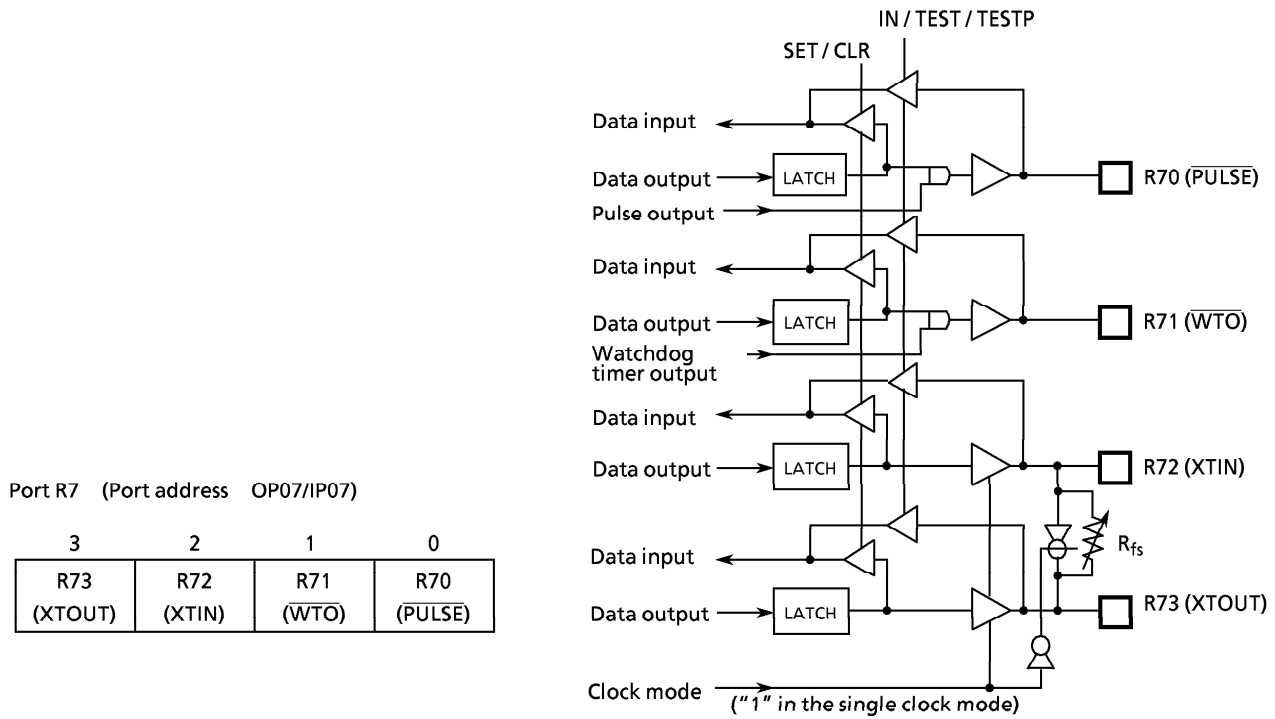


Figure 3-3. Port R7

(4) Port KC (KC1, KC0)

This is 2-bit input port. These port is also used as an input for vertical synchronous signal (\overline{VD}), horizontal synchronous signal (\overline{HD}). There are not bit 2, 3 of IPOC, however, "1" is read out when IPOC is accessed.

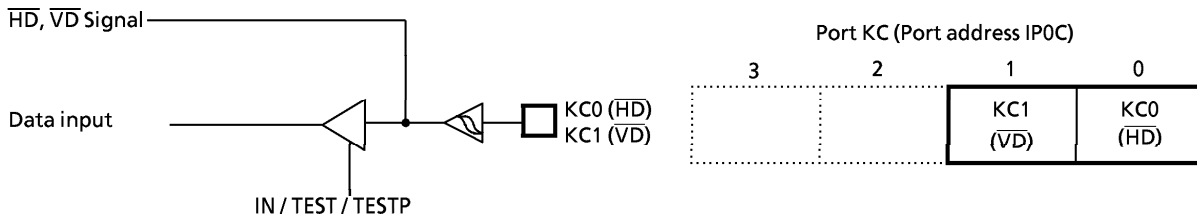


Figure 3-4. Port KC

Port Address (**)	Port		I/O instruction							
	Input (IP**)	Output (OP**)	IN %p, A	OUT A, %p	OUT #k, %p	OUTB @HL	SET %p, b	TEST %p, b	SET @L	
00H	K0 input port	Tri-state (R4 port) Control	○	○	○	-	-	○	-	
01	—	—	-	-	-	-	-	-	-	
02	—	—	-	-	-	-	-	-	-	
03	—	—	-	-	-	-	-	-	-	
04	R4 input port	R4 output port	○	○	○	-	○	○	○	
05	R5 input port	R5 output port	○	○	○	-	○	○	○	
06	R6 input port	R6 output port	○	○	○	-	○	○	○	
07	R7 input port	R7 output port	○	○	○	-	○	○	○	
08	R8 input port	R8 output port	○	○	○	-	○	○	○	
09	R9 input port	R9 output port	○	○	○	-	○	○	○	
0A	RA input port	RA output port	○	○	○	-	○	○	○	
0B	—	—	-	-	-	-	-	-	-	
0C	KC (HD, VD) input port	OSD command selector	○	○	○	-	○	○	○	
0D	Remote control count value register	Remote control offset value register	○	○	○	-	○	○	○	
0E	Status input (Note 2)	Remote control signal preprocess circuit control	○	○	○	-	○	○	○	
0F	Serial receive buffer	Serial transmit buffer	○	○	○	-	○	○	○	
10H	HOLD Pin Status	Hold operation mode	○	○	○	-	○	○	○	
11	—	—	-	-	-	-	-	-	-	
12	—	A/D converter input control	-	○	-	-	-	-	-	
13	SK0, DTB, Status	Tri-state, DTB, comparator	○	○	○	-	○	○	○	
14	—	—	-	-	-	-	-	-	-	
15	—	Watchdog timer control	-	○	-	-	-	-	-	
16	—	System clock control	-	○	-	-	-	-	-	
17	Status input for PWM	PWM buffer selector	○	○	○	-	○	○	○	
18	—	PWM data transfer buffer	-	○	-	-	-	-	-	
19	—	Interval timer interrupt control	-	○	-	-	-	-	-	
1A	Display line counter	OSD control	○	○	○	-	○	○	○	
1B	—	Pulse output control	-	○	-	-	-	-	-	
1C	—	Timer/Counter 1 control	-	○	-	-	-	-	-	
1D	—	Timer/Counter 2 control	-	○	-	-	-	-	-	
1E	—	SIO control 1	-	○	-	-	-	-	-	
1F	—	SIO control 2	-	○	-	-	-	-	-	

Note 1. "—" means the reserved state. Unavailable for the user programs.

Note 2. The status input of serial interface, clock generator, and HOLD (KE0) pin.

Table 3-1. Port Address Assignments and Available I/O Instructions

3.2 On-Screen Display (OSD) Circuit

A built-in on-screen display circuit enables TV on-screen displays of characters and symbols. Any 80 of a total of 128 character patterns can be displayed in 20 columns x 4 lines. It is possible to display more than 5 lines by using the OSD interrupt.

3.2.1 OSD Circuit Functions and Configuration

- ① Number of character patterns 128
- ② Number of display characters 80 (20 columns x 4 lines), more than 5 lines can be displayed by using the OSD interrupt.
- ③ Composition of a character 14 x 18 dots (80 characters), 7 x 9 dots (48 characters)
- ④ Character size 3 sizes (selectable line by line)
- ⑤ Display colors Characters: 7 colors (selectable character by character), background color: 1 of 7 colors.
- ⑥ Fringing and smoothing function
- ⑦ Display position: horizontal: 128 steps; vertical: 128 steps

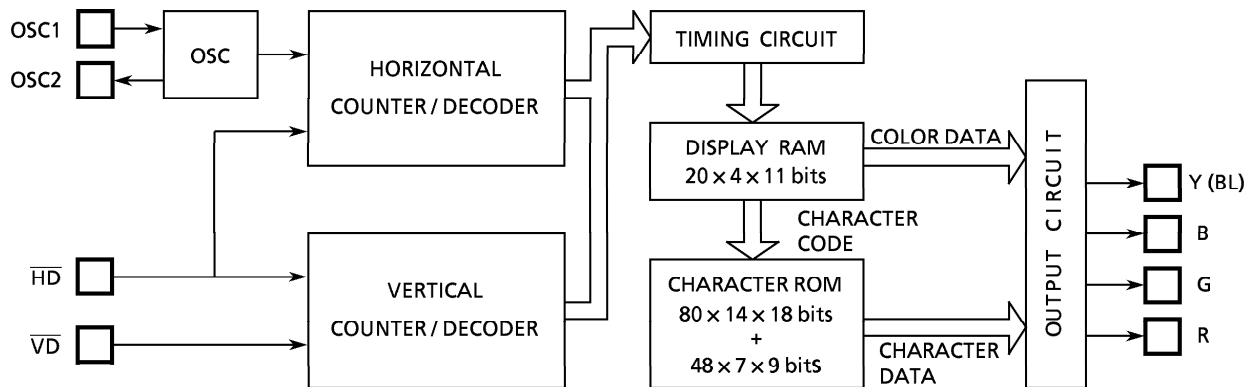


Figure 3-5. OSD Circuit

3.2.2 OSD Display Related Memory

(1) Character ROM

A total of 128 character patterns are built into the character ROM and the patterns can be freely designated by the user. The character ROM contains 80 characters with a 14 x 18 dot composition (character code 00_H to 4F_H) and 48 characters with a 7 x 9 dot composition (character code 50_H to 7F_H). Each dot corresponds to 1 bit of ROM. "1" turns on the dot and "0" turns off the dot. The start address of character ROM can be calculated using the following expression.

For character code 00_H to 4F_H: Character ROM start address = CRA x 64

For character code 50_H to 7F_H: Character ROM start address = 5120 + (CRA - 80) x 16

Note. CRA: Character code

As the character whose character code is 7E_H is fixed as a background and the character whose character code is 7F_H is fixed as a blank data, these two characters can not be designated by the user. Figure 3-6 shows the 14 x 18 dot composition character (Character code 00_H) and Figure 3-7 shows the 7 x 9 dot composition character (Character code 50_H), as an example. These figures also show the ROM address and the data of those patterns.

Figure 3-8 shows the ROM dump list for these 2 character patterns. When the ROM data is being submitted for manufacturing engineering samples, the address of character ROM should be placed to 4000_H to 56F8_H.

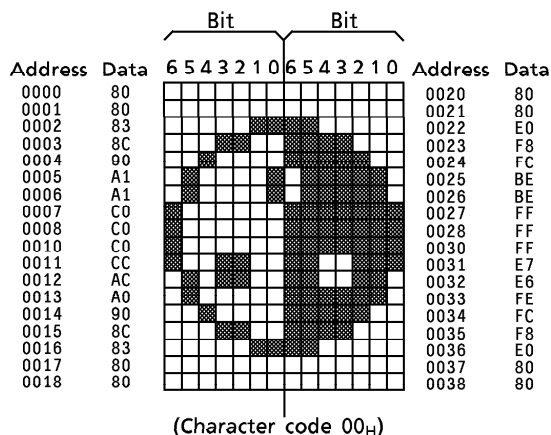


Figure 3-6. 14 x 18 Dot Composition

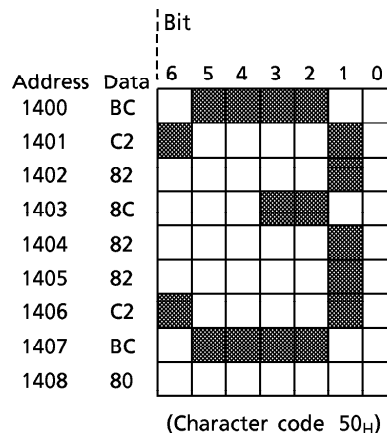


Figure 3-7. 7 x 9 Dot Composition

0000/	80	80	83	8C	90	A1	A1	C0	C0	FF	FF	FF	FF	FF	FF	FF	FF	FF	FF
0010/	C0	CC	AC	A0	90	8C	83	80	80	FF	FF	FF	FF	FF	FF	FF	FF	FF	FF
0020/	80	80	E0	F8	FC	BE	BE	FF	FF	FF	FF	FF	FF	FF	FF	FF	FF	FF	FF
0030/	FF	E7	E6	FE	FC	F8	E0	80	80	FF	FF	FF	FF	FF	FF	FF	FF	FF	FF
1400/	BC	C2	82	8C	82	82	C2	BC	80	FF	FF	FF	FF	FF	FF	FF	FF	FF	FF

Figure 3-8. Character ROM Dump List

Note. "FF" data have to be written in address "****9_H" to "****F_H" of character data area. And "1" data have to be written in bit "7" of character data area.

(2) Display memory

The display memory has a 20-columns x 11-bit x 4 lines configuration with a one-to-one correspondence to the number of columns displayed on the screen. The character code, the color data and blinking flag for the display characters and symbols are stored to the display memory. When power on is performed, the contents of display memory becomes unpredictable.

There are two methods for writing data to the display memory. In the first method, the character code, color data and blinking flag are written at the same time. In the second method, only the color data and blinking flag are changed. The method for writing display data to the display memory is described in 3.2.3 (6).

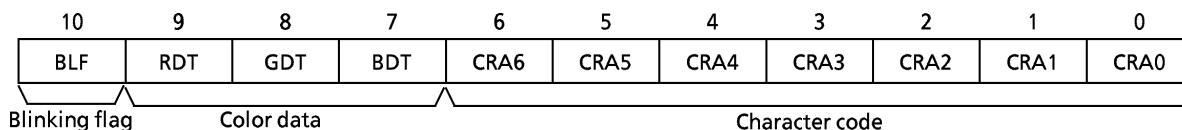


Figure 3-9. Bit Configuration of Display Memory

Line \ Column	1	2	3	4	5	6	7	8	9	10	11	12	13	14	15	16	17	18	19	20
1	00	01	02	03	04	05	06	07	08	09	0A	0B	0C	0D	0E	0F	10	11	12	13
2	20	21	22	23	24	25	26	27	28	29	2A	2B	2C	2D	2E	2F	30	31	32	33
3	40	41	42	43	44	45	46	47	48	49	4A	4B	4C	4D	4E	4F	50	51	52	53
4	60	61	62	63	64	65	66	67	68	69	6A	6B	6C	6D	6E	6F	70	71	72	73

Note. The numerals in the chart indicate display memory address (HEX).

Table 3-2. Display Memory Configuration

3.2.3 OSD Circuit Control

The OSD circuit is controlled by the command selector (OP0C) and control register (OP1A). Table 3-3 shows the relationship between OP0C and OP1A. The command selector selects the OSD control register. Writing data to the control register of all bits is performed by accessing OP1A two times. However, the second access is not required unless the second data are changed.

The OSD control register has a 28-word configuration and sets the display start position, display character ornamentation, display memory address and character codes.

After setting all control registers are completed and the command selector is set to F_H, display is enabled and the display starts. When the command selector is set to E_H, display is disabled.

(1) Display start position

Display start position of each display line on screen can be set in 128 steps both horizontally and vertically. The horizontal start position of the first line is set with OSD control register HS16 to HS10 while the vertical start position is set with VS16 to VS10. The display start positions of the 2nd to 4th lines are determined by setting HS26 to HS40 and VS26 to VS40 in the same way.

A double scan mode in which each vertical scan line is counted twice is provided to enable use with PAL and double scan mode TVs. It is possible to set the vertical display start position all over the screen area in this mode. Setting WSC (command selector is set to B_H) of the OSD control register to "1" enables the double scan mode and setting to "0" enables the normal mode.

The display start position can be calculated in following expressions.

Horizontal display start position of line "n"

$$HS_n = \{ (HS_{n6} \text{ to } HS_{n4}) \times 16^1 + (HS_{n3} \text{ to } HS_{n0}) \times 16^0 \} \times 4T_{OSC} + \alpha T_{OSC}$$

α : 14 for a small size character, 28 for a middle and 56 for a large
 T_{OSC} : The period of OSD clock oscillation

Vertical display start position of line "n"

When WSC = 0 $VS_n = \{ (VS_{n6} \text{ to } VS_{n4}) \times 16^1 + (VS_{n3} \text{ to } VS_{n0}) \times 16^0 \} \times 2T_{HD}$

When WSC = 1 $VS_n = \{ (VS_{n6} \text{ to } VS_{n4}) \times 16^1 + (VS_{n3} \text{ to } VS_{n0}) \times 16^0 \} \times 4T_{HD}$

T_{HD} : The period of horizontal synchronous signal

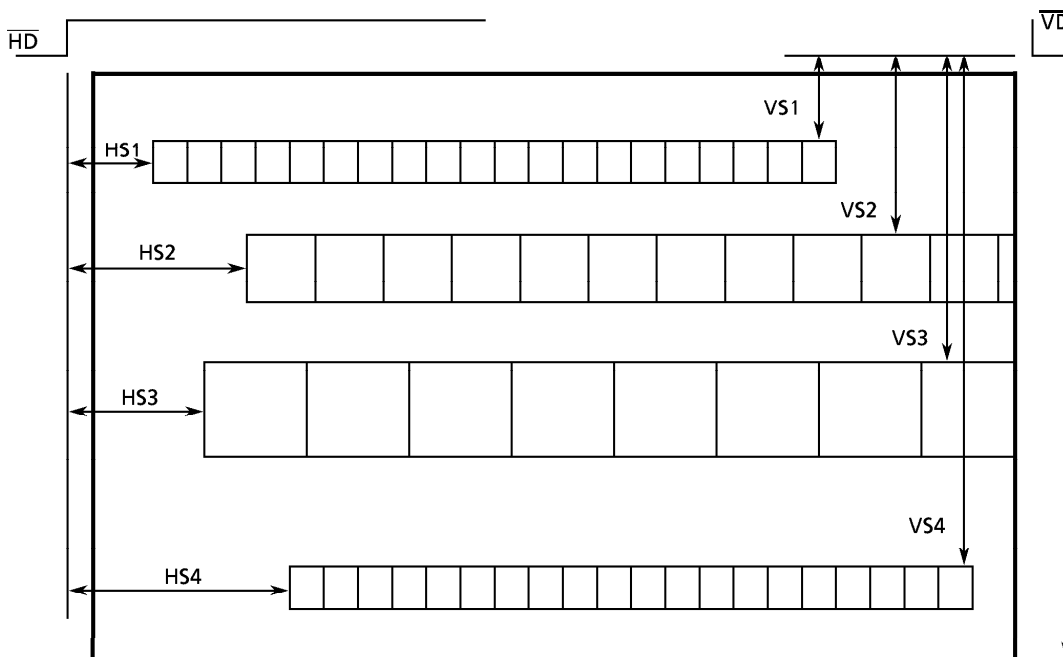


Figure 3-10. TV Screen Image

OSD Command selector (OP0C)	OSD control register to be accessed through OP1A							
	1 st ACCESS				2 nd ACCESS			
0	Horizontal start position of 1st display line 3 2 1 0 HS13 HS12 HS11 HS10				3 2 1 0 HS16 HS15 HS14			
1	Vertical start position of 1st display line 3 2 1 0 VS13 VS12 VS11 VS10				3 2 1 0 VS16 VS15 VS14			
2	Horizontal start position of 2nd display line 3 2 1 0 HS23 HS22 HS21 HS20				3 2 1 0 HS26 HS25 HS24			
3	Vertical start position of 2nd display line 3 2 1 0 VS23 VS22 VS21 VS20				3 2 1 0 VS26 VS25 VS24			
4	Horizontal start position of 3rd display line 3 2 1 0 HS33 HS32 HS31 HS30				3 2 1 0 HS36 HS35 HS34			
5	Vertical start position of 3rd display line 3 2 1 0 VS33 VS32 VS31 VS30				3 2 1 0 VS36 VS35 VS34			
6	Horizontal start position of 4th display line 3 2 1 0 HS43 HS42 HS41 HS40				3 2 1 0 HS46 HS45 HS44			
7	Vertical start position of 4th display line 3 2 1 0 VS43 VS42 VS41 VS40				3 2 1 0 VS46 VS45 VS44			
8	Character size of 1st and 2nd line 3 2 1 0 CS21 CS20 CS11 CS10				Smoothing, OSD outputs polarities 3 2 1 0 ESMZ BLIV YIV RGBIV			
9	Character size of 3rd and 4th line 3 2 1 0 CS41 CS40 CS31 CS30				OSD outputs tri-state control 3 2 1 0 EBFY EBFR EBFG EBFB			
A	Blinking flag, Coloring (character) 3 2 1 0 BLF RDT GDT BDT				Fringing, Coloring (back ground) 3 2 1 0 EFRG RBDT GBDT BBDT			
B	Blinking, Double scan mode 3 2 1 0 WSC BKMF SBS DSPF				OSD interrupt function 3 2 1 0 IOSD SVD ISDC1 ISDC0			
C	Display memory address set, Display memory bank selector 3 2 1 0 DMA3 DMA2 DMA1 DMA0 3 2 1 0 MBK DMA6 DMA5 DMA4							
D	Character code set 3 2 1 0 CRA3 CRA2 CRA1 CRA0				3 2 1 0 CRA6 CRA5 CRA4			
E	OSD disable							
F	OSD enable							

Table 3-3. OSD Control Commands and Control Registers

(2) Display character sizes

Character size for screen display can be selected line by line from 3 sizes.

Small, middle and large character size can be set with OSD control register CS41 - CS10 (command selector is set to 9_H or A_H). It is also possible to display with mixing 7×9 dot and 14×18 dot composition characters. When the character size is set the same, both dot composition of characters are displayed in the same size.

Character size \ Line	First display line		Second display line		Third display line		Fourth display line	
	CS11	CS10	CS21	CS20	CS31	CS30	CS41	CS40
Small character	1	1	1	1	1	1	1	1
Middle character	1	0	1	0	1	0	1	0
Large character	0	1	0	1	0	1	0	1
Display OFF	0	0	0	0	0	0	0	0

Table 3-4. Designation of Character Size

Size		Small character	Middle character	Large character
One dot size	14 × 18 dot composition	1 T _{OSC} × 1 T _{HD}	2 T _{OSC} × 2 T _{HD}	4 T _{OSC} × 4 T _{HD}
	7 × 9 dot composition	2 T _{OSC} × 2 T _{HD}	4 T _{OSC} × 4 T _{HD}	8 T _{OSC} × 8 T _{HD}
Character size		14 T _{OSC} × 18 T _{HD}	28 T _{OSC} × 36 T _{HD}	56 T _{OSC} × 72 T _{HD}

Note. T_{OSC}: The period of OSD clock oscillation.
T_{HD}: The period of horizontal synchronous signal.

Table 3-5. Character Size

(3) Smoothing and fringing functions

The smoothing function makes characters look smooth. When smoothing is enabled, additional dots (1/4 size) are displayed in the middle of the place where two dots contact each other only at a corner. However, this function is not available for 14×18 dot small character size.

Fringing displays the fringe of characters in a different color from rest of the color of the character. When fringing is enabled, a 1/2 dot width around the character periphery is displayed in a different color, as shown in Figure 3-11.

However, this function is not available for 14×18 dot small character size.

Smoothing is enabled by setting ESMZ (command selector is set to 8_H) of the OSD control register to "1". Fringing is enabled by setting EFRG (command selector is set to A_H) of the OSD control register to "1". When smoothing and fringing are enabled at the same time, smoothing has a priority, as shown in Figure 3-12.

The color of the fringe can be set by BBDT, GBDT, RBDT (command selector is set to A_H) of the OSD control register. Coloring for fringe is described in the next section.

Note. When used to fringing function, turn off dot which is placed on an edge of character area. (refer to fig. 3-13)

If not, there is a possibility that fringing function is not executed.

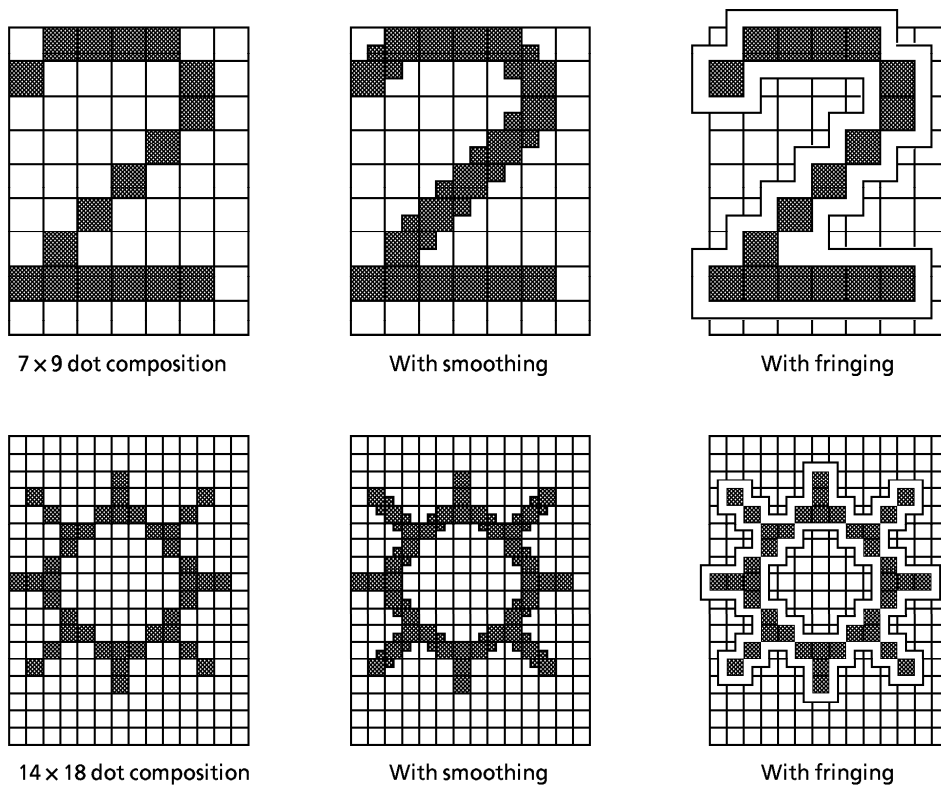


Figure 3-11. Example of Smoothing and Fringing Function

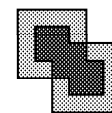
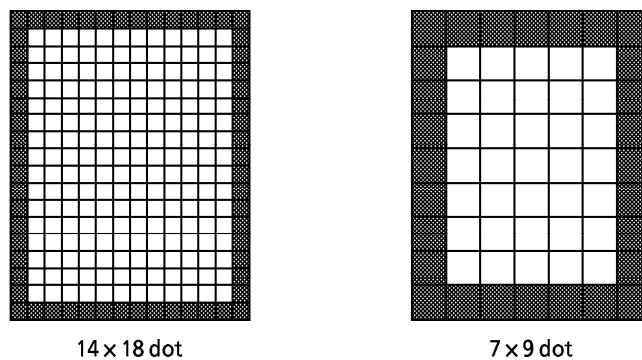


Figure 3-12. Priority of Smoothing and Fringing



Note. The dot which has hatching must be turned-off.

Figure 3-13.

(4) Display colors

One out of seven colors can be selected for each character to be displayed. Display character color is set by the color data in the display memory. The color data loaded to RDT, GDT, BDT (command selector is set to A_H) of the OSD control register are written to the display memory at the same time as the character code is written.

The entire background for the character area (14 x 18 or 8 x 9 dots) can be colored. The background color is set by RBDT, GBDT, BBDT of the OSD control register (command selector is set A_H).

When the fringing is enabled, the color of fringe is set by the background color data (RBDT, GBDT, BBDT). Thus, the entire background for the character area can not be colored at that time.

(5) Blinking function

Any character displayed on the screen can be caused to blink. The blinking flag (BLF) of the display memory and DSPF, SBS, BKMF (command selector is set to B_H) of the OSD control register determine the blinking position and period. There are two kinds of setting blinking period; one is for the fixed period by the hardware and the other one is for the programmable period by the user.

To cause a character to blink, first set BLF of the display memory to "1".

The blinking flag BLF (command selector is set to A_H) of the OSD control register will then be written to the display memory at the same time as the character code is written.

Next, set BKMF to "1" to enable the blinking function. When SBS is "1", the character will blink at a period of $f_c/22$. When SBS is "0", the value of DSPF itself determines whether or not the character is displayed. Thus, DSPF is alternately set and cleared with each cycle of the soft timer to produce the blinking.

OSD control register

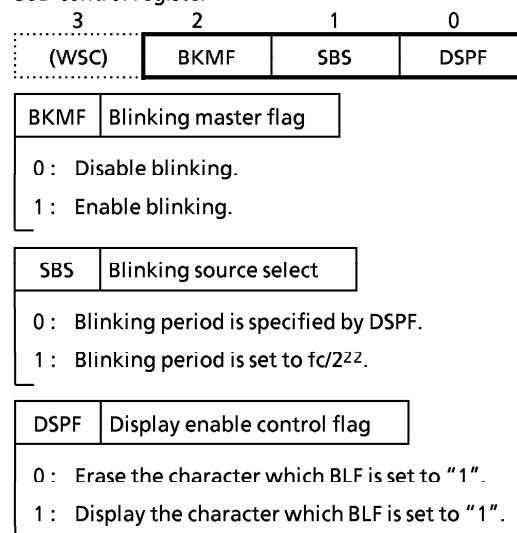


Figure 3-14. Control of Blinking Function

(6) Writing display data to the display memory

Display data, which consist of the character code, color data and blinking flag, are written to the display memory which corresponds to the one to one to the displayed position. Load the display memory address to DMA6 to DMA0 of the OSD control register and load the memory bank to MBK. When all of the display data is changed, clear MBK to "0". When only the color data and blinking flag are changed, set MBK to "1".

To change all of the display data, set the display memory address and clear MBK to "0"; then set the color data and blinking flag with BLF, BDT, GDT, RDT (command selector is set to A_H) of the OSD control register. Next, write the character code with CRA6 to CRA0 (command selector is set to D_H) of the OSD control register. When OP1A is accessed for the second time, the character code is written to the display memory with the color data and blinking flag which are set beforehand at the same time. Display memory address DMA6 to DMA0 are also automatically incremented at this time; therefore, it is not necessary to set the display memory address again when the display data is written continuously. However, this auto-increment function is only effective within one line of the display memory. Auto-increment does not operate when the line is changed (example: display memory address 13_H → 20_H).

When only the color data and blinking flag setting are changed, set the display memory address as above and set MBK to "1"; then set the color data and blinking flag with BLF, BDT, GDT, RDT of the OSD control register. The data are then sent to the display memory but the character code is not changed. Display memory address DMA6 - DMA0 are also automatically incremented at this time; therefore, it is not necessary to set the display memory address again when the color data and blinking flag is written continuously. However, this auto-increment function is only effective within one line of the display memory. Auto-increment does not operate when the line is changed (example: display memory address 13_H → 20_H).

(7) OSD output buffer

The OSD outputs for RGB and Y/BL use tri-state output buffers, which the respective polarities can be inverted. The polarity and the tri-state is controlled by accessing EBFY-EBFB, BLIV, YIV, RGBIV (command selector is set to 9_H or 8_H) of the OSD control register.

Symbol	Output pin	Data "0"	Data "1"
EBFY	Y (BL)	Output Buffer OFF	Output Buffer ON
EBFB	B	Output Buffer OFF	Output Buffer ON
EBFG	G	Output Buffer OFF	Output Buffer ON
EBFR	R	Output Buffer OFF	Output Buffer ON

Table 3-6. Control of OSD Output

Symbol	Output port	Data "0"	Data "1"
BLIV	BL	Active High	Active Low
YIV	Y	Active High	Active Low
RGBIV	RGB	Active High	Active Low

Table 3-7. Control of OSD Output Polarity

(8) OSD output waveform

The OSD output pins comprise the R, G and B color signal outputs, the Y signal which is the logical OR of the R, G and B signals, and the BL signals output to all display character areas (excluding character code 7E_H). Y and BL signal makes the display clearer by eliminating the video signal only where characters or background are displayed.

Figure 3-14 shows display example (1). The conditions for this example are as follows:

- ① Display data: 2, C, blank data (character code 7F_H), background (character code 7E_H).
- ② Color data: RDT = 1, BDT = 0, GDT = 0.
- ③ Background color data: BRDT = 0, BBDT = 1, BGDT = 0.
- ④ Fringing and smoothing disabled.
- ⑤ This screen display example is controlled by the R, B and BL signals.

Figure 3-16 shows display example (2). The conditions for this example are as follows:

- ① Display data: 2, C, blank data (character code 7FH), background (character code 7EH).
- ② Color data: RDT = 1, BDT = 0, GDT = 0.
- ③ Background color data: BRDT = 0, BBDT = 1, BGDТ = 0.
- ④ Fringing enabled and smoothing disabled.
- ⑤ This screen display example is controlled by the R, B and Y signals.

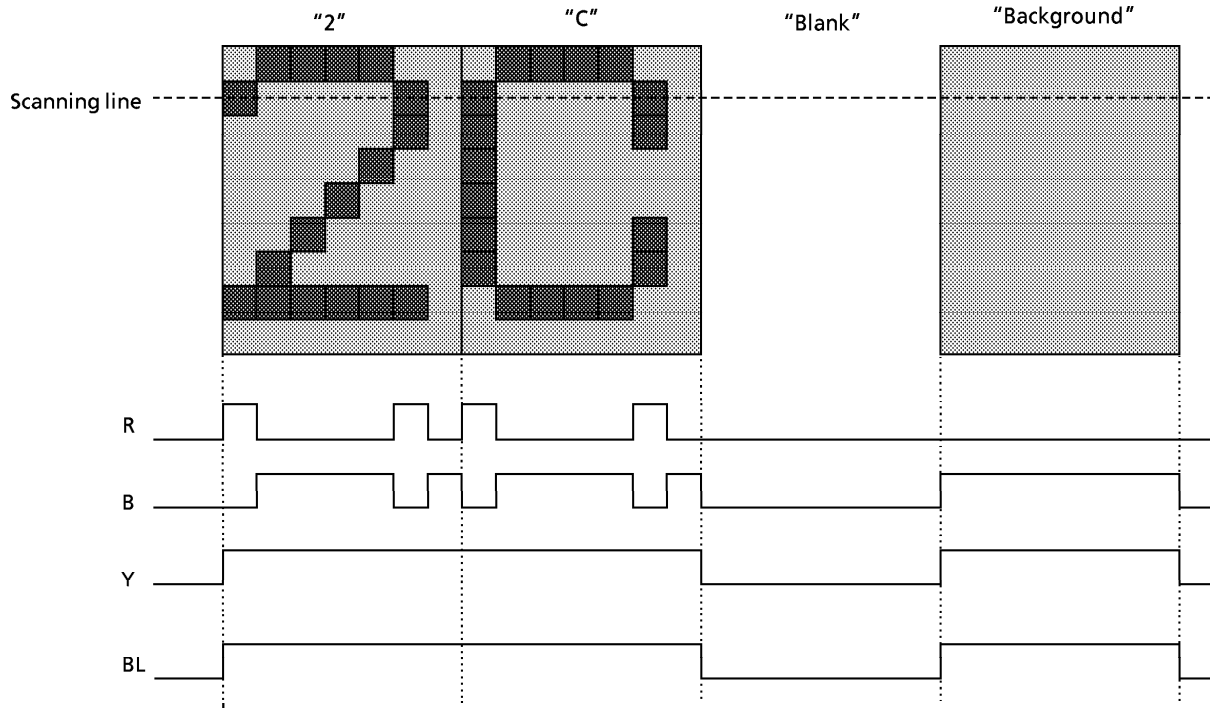


Figure 3-15. Example of OSD Display and Its Wave Form (1)

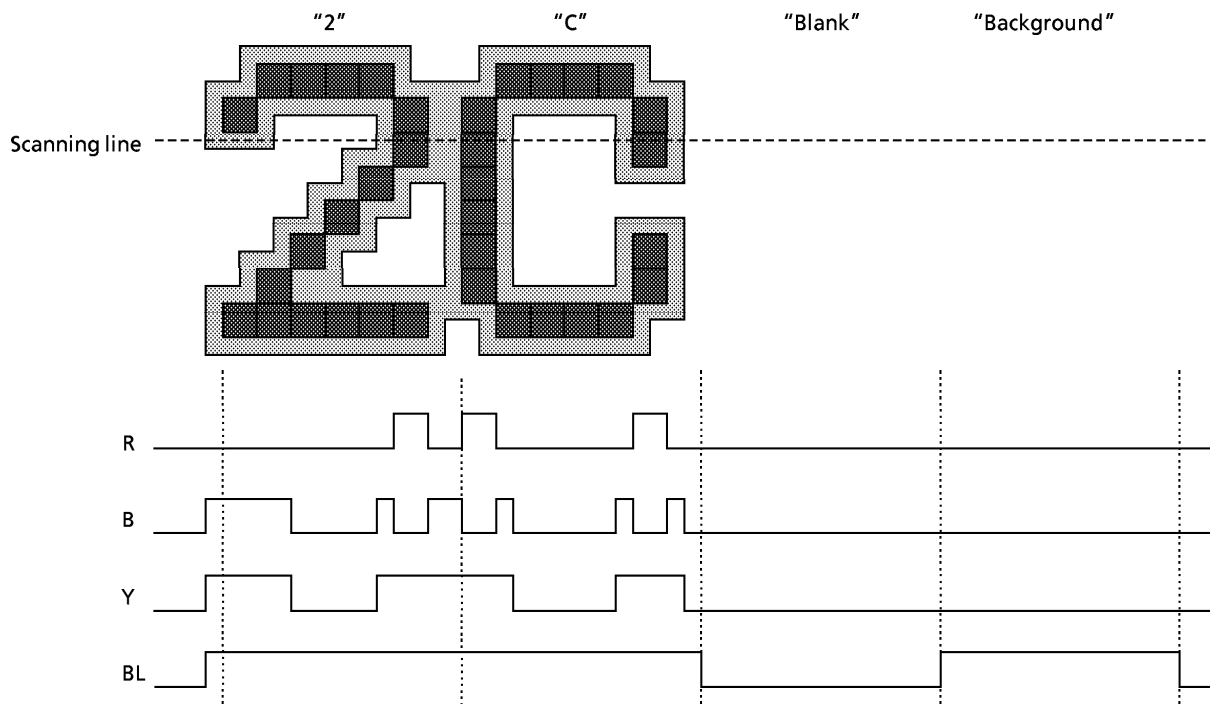


Figure 3-16. Example of OSD Display and Its Wave Form (2)

3.2.4 Multi-line Displays Using the OSD Interrupt

Up to 4 lines can be displayed on screen with the built-in hardware.

Multi-line displays of more than 5 lines are also available by using the OSD interrupt to rewrite the display start position and display data for the next display after the display of each line has been completed. The hardware related to the OSD interrupt comprises the display line counter, the interrupt generator circuit and its control circuit.

(1) Display line counter

The display line counter indicates which line of one TV screen is being displayed. The display line counter is a 4-bit counter which is initialized to "0" by the \overline{VD} signal and which increments when last scanning of each line is completed. The display line counter can be read out by accessing port address IP1A. The display line counter also increments when the data of the display line are all blank data or the display line is disabled.

(2) Interrupt generator circuit

The interrupt generator circuit is controlled by OSD control registers IOSD, SVD, ISDC (command selector is set to B_H). One out of the two interrupt sources SIO or OSD can be selected by IOSD of OSD control register. A OSD interrupt request is generated when IOSD is set to "1" and an ISIO interrupt request is generated when IOSD is set to "0". The interrupt request is generated every falling edge of \overline{VD} signal comes when SVD is set to "1". When the SVD is set to "0", interrupt request is generated at the start point of the first scanning line of the display line specified by ISDC.

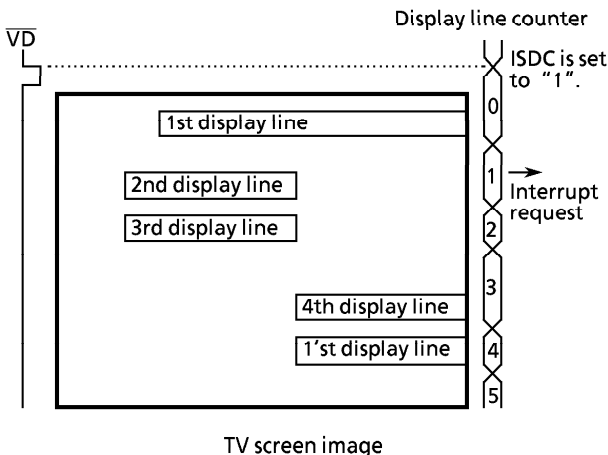


Figure 3-19. Multi Line Display Using OSD Interrupt

Display line counter

(Port address : IP1A Initialize to "0")

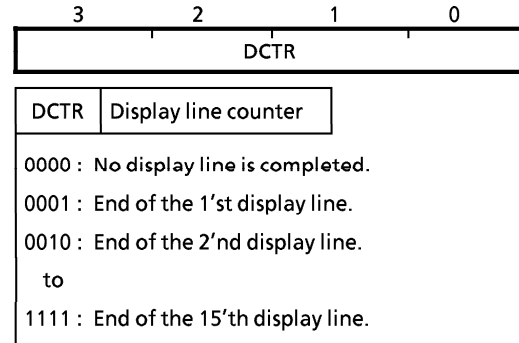


Figure 3-17. Display Line Counter

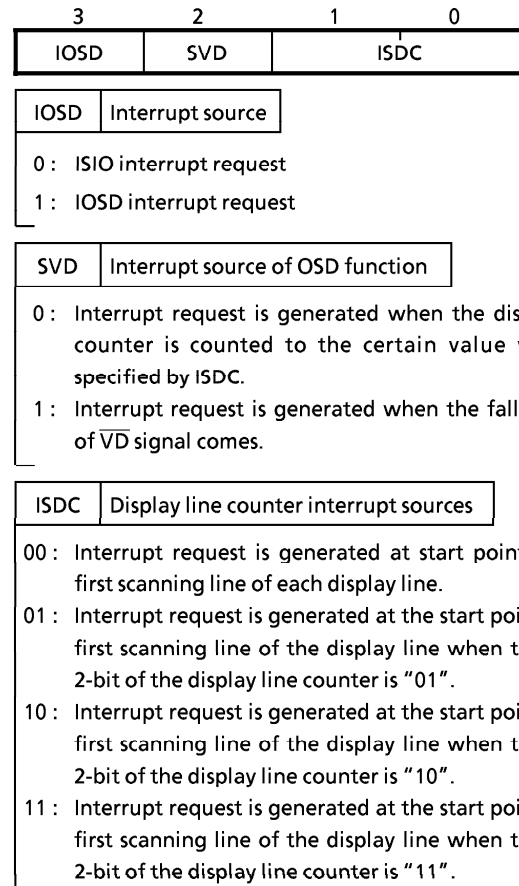


Figure 3-18. Control of OSD Interrupt

3.2.5 Control of OSD

When the level of \overline{HD} (KE0) or \overline{VD} (KE1) is pulled-down "Low", change of OSD display disable, character size and ON/OFF of fringing function should be executed.

3.2.6 RA Port Function

R signal output and G signal output ports are also used as I/O ports. When not used for color signals, use is possible as normal I/O ports. RA port and Y/BL selection is performed by OP0A.

"1" is read out when the upper 2bits of IP0A are accessed.

As RA port is not selected, "1" is read out when the lower 2bits of IP0A are accessed.

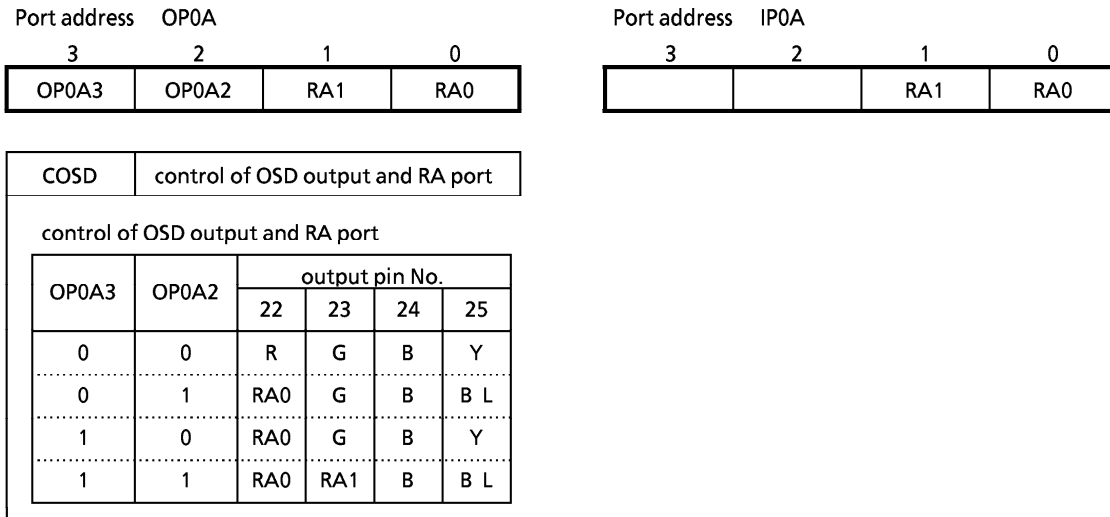


Figure 3-20. RA Port

3.3 4bit A/D Conversion (Comparator) Input

The comparator input is analog input to discriminate key input or AFC (Auto Frequency Control) signal. It's composed of 4-bit D/A converter, comparator and control circuit. Analog input level (CIN0-CIN3) can be detected as 16-stage by setting reference voltage.

The comparator input can also be used as K0 port (digital input). To use as K0 port, set the most significant bit of the port address OP13 to "1". Which port is selected digital (K0) or comparator (CIN) input can be monitored by accessing the port address IP13. DTB selector/status is also assigned to port address OP13/IP13.

Note. When the comparator input is selected, the comparator consumes typically 700 μ A current at VDD =5 V. To reduce the power consumption, K0 port should be set to digital input mode. In the HOLD mode, the comparator current is automatically cut off by hardware. Further, during the slow operating mode, A/D conversion input is automatically disabled by hardware to reduce the power consumption.

3.3.1 Circuit Configuration of Comparator Input

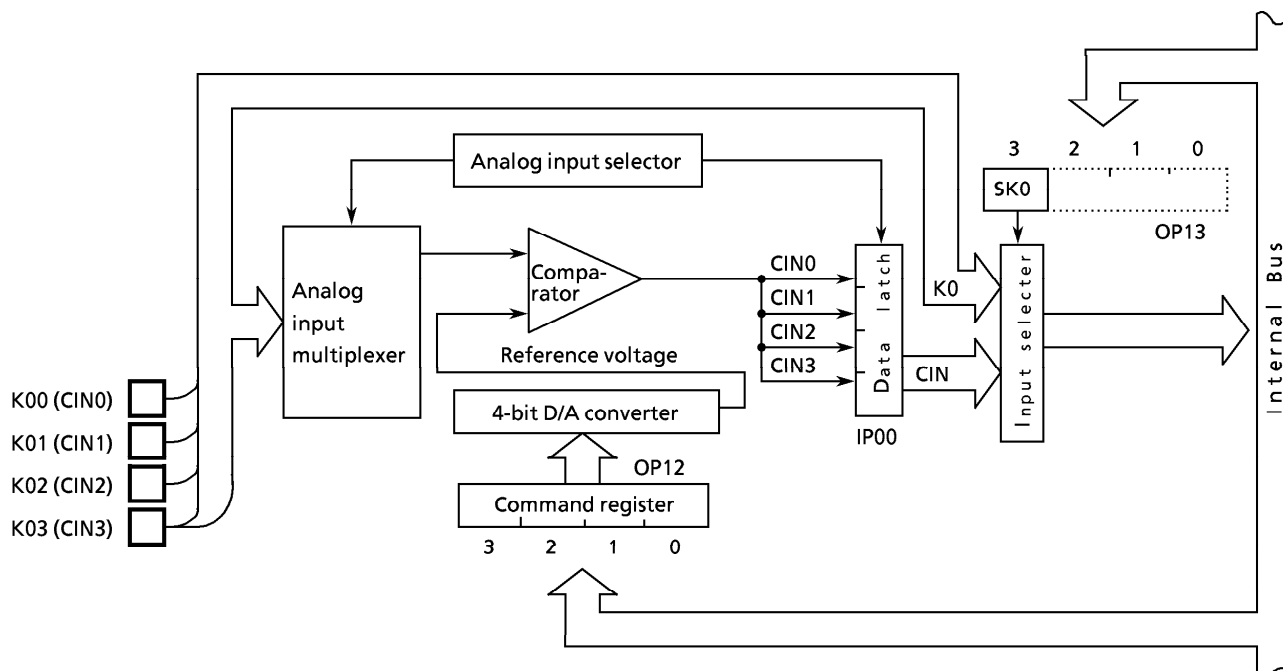


Figure 3-21. Circuit of Comparator Input

3.3.2 Control of Comparator Input

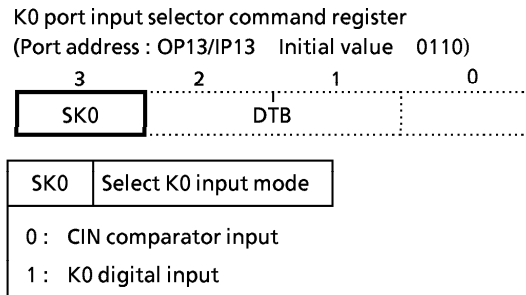


Figure 3-22. Command Register, Status Register

Reference voltage (Vref) is set by command register (port address OP12), and it is determined by the following form.

$$V_{REF} = V_{DD} \times (n + 1) / 16 [V] \quad (n = 0 \text{ to } 15)$$

After initialization sequence, 4-channel comparator inputs continue comparison operation successively.

Since 2-instruction cycles are required to complete comparison of 1-channel, it is necessary to wait for 8-instruction cycles after setting a reference voltage to read data from the comparator. When analog input voltage is higher than reference voltage, comparator data latch is set to "1". At the initialization sequence, OP12 is set to "0". There is not latch when used to port K0.

OP12				Vref. [V]
3	2	1	0	
0	0	0	0	0.31
0	0	0	1	0.62
0	0	1	0	0.94
0	0	1	1	1.25
0	1	0	0	1.56
0	1	0	1	1.87
0	1	1	0	2.19
0	1	1	1	2.50
1	0	0	0	2.81
1	0	0	1	3.12
1	0	1	0	3.44
1	0	1	1	3.75
1	1	0	0	4.06
1	1	0	1	4.37
1	1	1	0	4.69
1	1	1	1	5.00

Table 3-8. Reference Voltage

3.4 D/A Converter (Pulse Width Modulation) Output

The 47C637 / 837 have 8 built-in pulse width modulation (PWM) channels. D/A converter output can easily be obtained by connecting an external low-pass filter.

PWM outputs are multiplexed with general purpose I/O ports as; R4 (PWM0 to PWM3), R5 (PWM4 to PWM7). When these ports are used as PWM outputs, the corresponding bits of R4 and R5 output latches should be set to "1". Resetting initializes the R4 and R5 output latches to "1".

PWM output is controlled by the buffer selector (OP17) and data transfer register (OP18). Writing "CH" to the buffer selector transfers the PWM data in the data transfer buffer to the PWM data latch, thus, the PWM output will be changed. The PWM data transferred to the PWM data latch are retained until overwritten.

Resetting and holding clear the buffer selector, data transfer buffer and PWM data latch to "0".

3.4.1 Pulse Width Modulation Circuit Output

(1) $\overline{\text{PWM0}}$ output

This is 14-bit resolution $\overline{\text{PWM}}$ output and one period is $T_M = 2^{15}/f_c$ [s].

The 8 high-order bits of the PWM data latch control the pulse width of the pulse output with a period of T_S ($T_S = T_M/64$), which is the sub-period of the $\overline{\text{PWM0}}$. When the 8-bit data are decimal n ($0 \leq n \leq 255$), this pulse width becomes $n \times t_0$, where $t_0 = 2/f_c$.

The lower 6-bit of 14 bit data are used to control the generation of additional to wide pulse in each T_S period. When the 6-bit data are decimal m ($0 \leq m \leq 63$), the additional pulse is generated in each of m periods out of 64 periods contained in a T_M period. The relationship between the 6 bits data and the position of T_S period where the additional pulse is generated is shown in Table 3-9.

(2) $\overline{\text{PWM1}}$ to $\overline{\text{PWM7}}$ outputs

These are 7-bit resolution $\overline{\text{PWM}}$ outputs and one period is $T_N = 2^8/f_c$ [s]. When the 7bit data are decimal k ($0 \leq k \leq 127$), the pulse width becomes $k \times t_0$. The wave form is illustrated in Figure 3-22.

3.4.2 Pulse Width Modulation Circuit Control (Data Transfer)

$\overline{\text{PWM}}$ output is controlled by writing the output data to data transfer buffers (OP18). For writing the output data are divided using the buffer selector (OP17). Buffer numbers are assigned to each of the data transfer buffers. Writing is performed in accordance with the corresponding tables shown in Table 3.10.

- ① Write the buffer number of the transfer buffer to which the data are to be written to the buffer selector (OP17).
- ② Write the 4 low-order bits of the corresponding PWM output data to the selected buffer (OP18).
- ③ Next, write the 4 high-order bits of $\overline{\text{PWM}}$ output data to the buffer.
- ④ When writing of the output data is completed, write "C_H" to the buffer selector.
When switching of the output data is completed, the PWM status input becomes "0", indicating that the next data can be written. Do not write PWM data when the PWM status is "1" because write errors can occur in this case. The PWM status can be read by accessing bit "0" of port address IP17.

While the output data are being written to the transfer buffer, the previously written data are being output. The maximum time from the point at which "C_H" is written to the buffer register until $\overline{\text{PWM}}$ output is switched is $2^{15}/f_c$ (at 4 MHz, 8192 μs) for $\overline{\text{PWM0}}$ output and $2^8/f_c$ [s] (at 4 MHz, 128 μs) for $\overline{\text{PWM1}}$ to $\overline{\text{PWM7}}$ output.

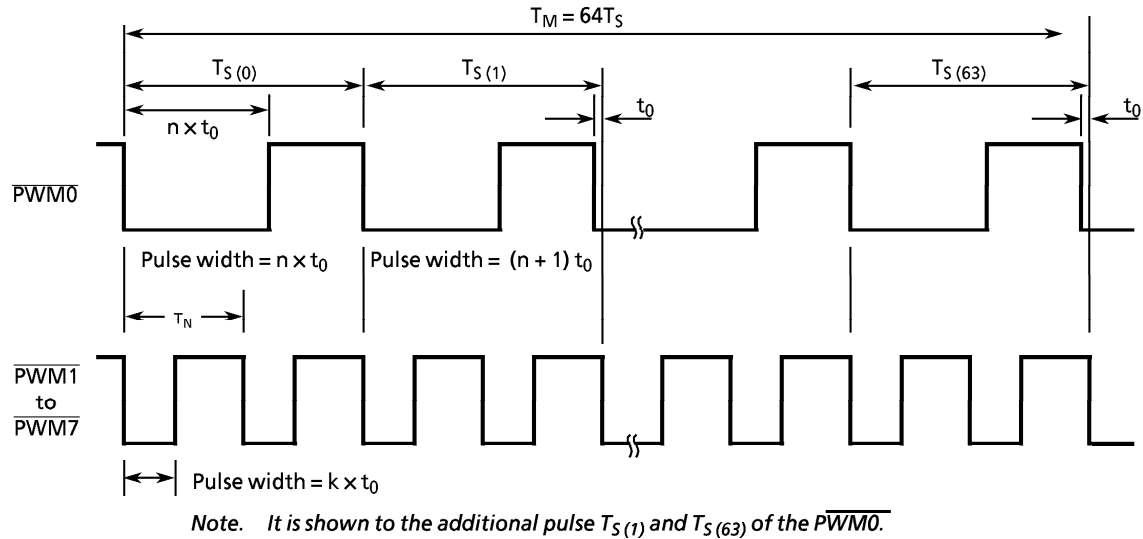


Figure 3-23. \overline{PWM} Output Wave Form

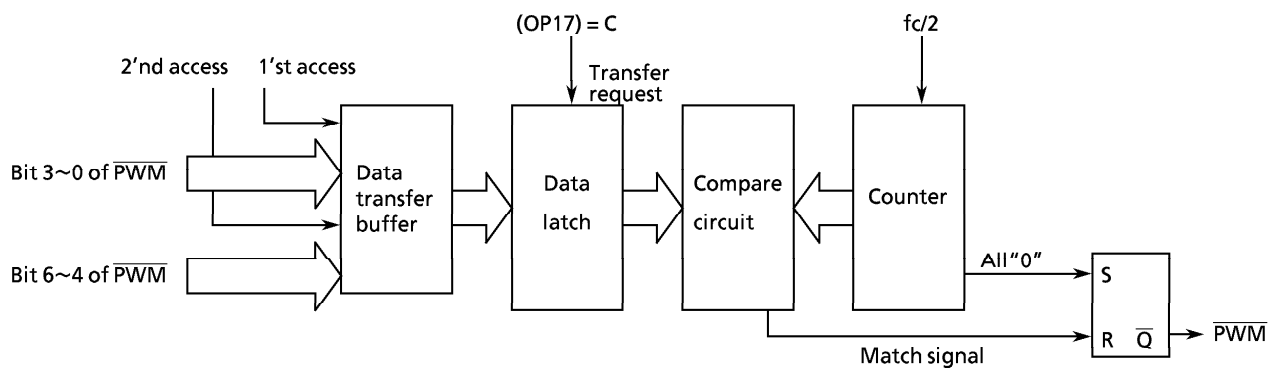


Figure 3-24. \overline{PWM} Circuit Configuration (7bit Resolution)

Bit position of 6 bits data	Relative position of T_S where the output pulse is generated (No. i of $T_{S(i)}$ is listed)
Bit0	32
Bit1	16, 48
Bit2	8, 24, 40, 56
Bit3	4, 12, 20, 28, 36, 44, 52, 60
Bit4	2, 6, 10, 14, 18, 22, 26, 30, ..., 58, 62
Bit5	1, 3, 5, 7, 9, 11, 13, 15, 17, ..., 59, 61, 63

Note. When the corresponding bit is "1", it is output.

Table 3-9. Correspondence between 6 Bits Data and the Additional Pulse Generated T_S Periods

Buffer number (OP17)	Correspondence to bit (OP18)		Mode
	1'st access	2'nd access	
0	Bit 3 to 0 of $\overline{PWM0}$	Bit 5 to 4 of $\overline{PWM0}$	Writing
1	Bit 9 to 6 of $\overline{PWM0}$	Bit 13 to 10 of $\overline{PWM0}$	Writing
2	Bit 3 to 0 of $\overline{PWM1}$	Bit 6 to 4 of $\overline{PWM1}$	Writing
3	Bit 3 to 0 of $\overline{PWM2}$	Bit 6 to 4 of $\overline{PWM2}$	Writing
4	Bit 3 to 0 of $\overline{PWM3}$	Bit 6 to 4 of $\overline{PWM3}$	Writing
5	Bit 3 to 0 of $\overline{PWM4}$	Bit 6 to 4 of $\overline{PWM4}$	Writing
6	Bit 3 to 0 of $\overline{PWM5}$	Bit 6 to 4 of $\overline{PWM5}$	Writing
7	Bit 3 to 0 of $\overline{PWM6}$	Bit 6 to 4 of $\overline{PWM6}$	Writing
8	Bit 3 to 0 of $\overline{PWM7}$	Bit 6 to 4 of $\overline{PWM7}$	Writing
C	None	None	Transfer

Table 3-10. The Bit and Buffer Number of Data

3.5 Pulse Output Circuit

Pulse output circuit generates the pulse clock by dividing the clock frequency to R70 port. The pulse output is used for the basic clock for the PLL IC or peripheral ICs. The pulse output frequency can be set by accessing command register (OP1B). Command register is initialized to "11**" during reset. When R70 port is used as the pulse output, set R70 output latch to "1".

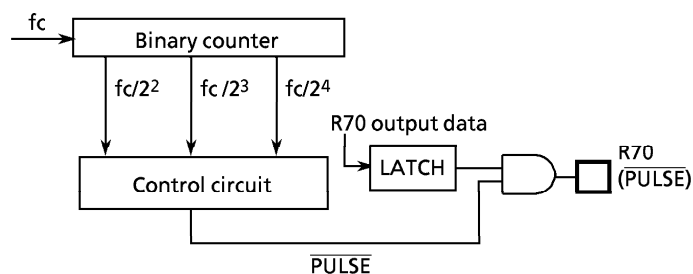


Figure 3-25. Pulse Output Circuit

Pulse output control command register (Port address OP1B)

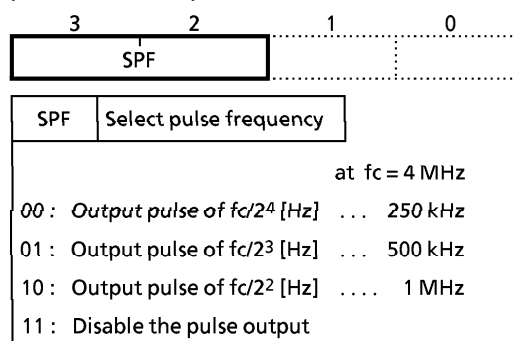
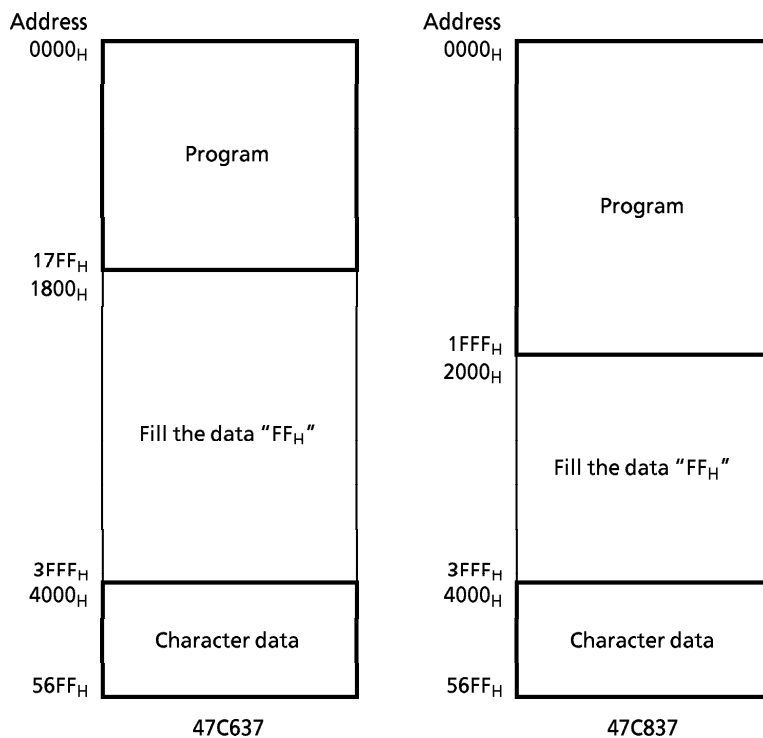


Figure 3-26. Pulse Output Command Register

Notice of ROM code release for masked products

When releasing ROM code for mask products, please take notice as follows,

- (1) The area of program
 - Fill the data "FF_H" at all addresses of unused area.
- (2) The area of character data
 - Load the character data at the address 4000_H to 56FF_H.
 - Fill the data "FF_H" at all addresses of unused characters.
- (3) The area between the end of program and the begin of character data of character data
 - Fill the data "FF_H" at all addresses.



INPUT / OUTPUT CIRCUITRY

(1) Control pins

Input / output circuitries of the 47C637/837 control pins are shown below.

CONTROL PIN	I/O	CIRCUITRY	REMARKS
XIN XOUT	Input Output		Resonator connecting pins $R = 1\text{ k}\Omega$ (typ.) $R_f = 1.5\text{ M}\Omega$ (typ.) $R_0 = 2\text{ k}\Omega$ (typ.)
XTIN XTOUT	Input Output		Resonator connecting pins $R = 1\text{ k}\Omega$ (typ.) $R_{fs} = 6\text{ M}\Omega$ (typ.) $R_0 = 220\text{ k}\Omega$ (typ.)
$\overline{\text{RESET}}$	Input		Hysteresis input Contained pull-up resistor $R_{IN} = 220\text{ k}\Omega$ (typ.) $R = 1\text{ k}\Omega$ (typ.)
$\overline{\text{HOLD}}$ ($\overline{\text{KE0}}$)	Input (Input)		Hysteresis input (Sense input) $R = 1\text{ k}\Omega$ (typ.)
TEST	Input		Contained pull-down resistor $R_{IN} = 70\text{ k}\Omega$ (typ.) $R = 1\text{ k}\Omega$ (typ.)
OSC1 OSC2	Input Output		Oscillation terminals for OSD $R = 1\text{ k}\Omega$ (typ.) $R_f = 1.5\text{ M}\Omega$ (typ.) $R_0 = 2\text{ k}\Omega$ (typ.)
$\overline{\text{HD}}$ (KC0) $\overline{\text{VD}}$ (KC1)	Input		Synchronous signal input Hysteresis input $R = 1\text{ k}\Omega$ (typ.)

(2) I/O ports

The input / output circuitries of the 47C637/837 I/O ports are shown below, designated by code.

PORT	I/O	INPUT / OUTPUT CIRCUITRY (code)		REMARKS
		PA	PC	
K0	Input			Pull-down resistor $R_{IN} = 70 \text{ k}\Omega$ (typ.) $R = 1 \text{ k}\Omega$ (typ.)
R4 R5 RA	I/O			Tri-state I/O Initial "Hi-Z" $R = 1 \text{ k}\Omega$ (typ.)
R6	I/O			Sink open drain Initial "Hi-Z" High drive current $I_{OL} = 20 \text{ mA}$ (typ.) $R = 1 \text{ k}\Omega$ (typ.)
R7	I/O			Sink open drain Initial "Hi-Z" $R = 1 \text{ k}\Omega$ (typ.)
R8 R9	I/O			Sink open drain Initial "Hi-Z" Hysteresis input $R = 1 \text{ k}\Omega$ (typ.)

ELECTRICAL CHARACTERISTICS

ABSOLUTE MAXIMUM RATINGS ($V_{SS} = 0\text{ V}$)

PARAMETER	SYMBOL	PINS	RATING	UNIT
Supply Voltage	V_{DD}		- 0.3 to 7	V
Input Voltage	V_{IN}		- 0.3 to $V_{DD} + 0.3$	V
Output Voltage	V_{OUT1}	Except sink open drain pin, but include port R7	- 0.3 to $V_{DD} + 0.3$	V
	V_{OUT2}	Sink open drain pin except R7 port	- 0.3 to 10	
Output Current (Per 1 pin)	I_{OUT1}	Ports R6	30	mA
	I_{OUT2}	Ports R7, R8, R9	3.2	
Output Current (Total)	ΣI_{OUT1}	Ports R6	60	mA
Power Dissipation ($T_{opr} = 70\text{ }^\circ\text{C}$)	PD		600	mW
Soldering Temperature (time)	T_{sld}		260 (10 s)	$^\circ\text{C}$
Storage Temperature	T_{stg}		- 55 to 125	$^\circ\text{C}$
Operating Temperature	T_{opr}		- 30 to 70	$^\circ\text{C}$

RECOMMENDED OPERATING CONDITIONS ($V_{SS} = 0\text{ V}$, $T_{opr} = -30\text{ to }70\text{ }^\circ\text{C}$)

PARAMETER	SYMBOL	PINS	CONDITION	Min.	Max.	UNIT
Supply Voltage	V_{DD}		In the Normal mode	4.5	6.0	V
			In the SLOW mode	2.7		
			In the HOLD mode	2.0		
Input High Voltage	V_{IH1}	Except Hysteresis Input	$V_{DD} \geq 4.5\text{ V}$	$V_{DD} \times 0.7$	V_{DD}	V
	V_{IH2}	Hysteresis Input		$V_{DD} \times 0.75$		
	V_{IH3}		$V_{DD} < 4.5\text{ V}$	$V_{DD} \times 0.9$		
Input Low Voltage	V_{IL1}	Except Hysteresis Input	$V_{DD} \geq 4.5\text{ V}$	0	$V_{DD} \times 0.3$	V
	V_{IL2}	Hysteresis Input			$V_{DD} \times 0.25$	
	V_{IL3}		$V_{DD} < 4.5\text{ V}$		$V_{DD} \times 0.1$	
Clock Frequency	f_c	XIN, XOUT		0.4	6.0	MHz
	f_s	XTIN, XTOUT		30.0	34.0	kHz
	f_{OSD}	OSC1, OSC2		-	8.0	MHz

Note . Input Voltage V_{IH3} , V_{IL3} : in the SLOW or HOLD operating mode.

D.C. CHARACTERISTICS	($V_{SS} = 0\text{ V}$, $T_{opr} = -30\text{ to }70\text{ }^{\circ}\text{C}$)
----------------------	--

PARAMETER	SYMBOL	PINS	CONDITIONS	Min.	Typ.	Max.	UNIT
Hysteresis Voltage	V_{HS}	Hysteresis Input		–	0.7	–	V
Input Current	I_{IN1}	Port K0, TEST, RESET, HOLD	$V_{DD} = 5.5\text{ V}$,	–	–	± 2	μA
	I_{IN2}	Port R (open drain)	$V_{IN} = 5.5\text{ V} / 0\text{ V}$				
Input Resistance	R_{IN1}	Port K0 with pull-up/pull-down		30	70	150	$\text{k}\Omega$
	R_{IN2}	RESET		100	220	450	
Output Leakage Current	I_{LO}	Tri-state port Ports R6, R8, R9(open drain)	$V_{DD} = 5.5\text{ V}$, $V_{OUT} = 5.5\text{ V}$	–	–	± 2	μA
Output High Voltage	V_{OH2}	Port R (tri-state), OSD outputs	$V_{DD} = 4.5\text{ V}$, $I_{OH} = -0.7\text{ mA}$	4.1	–	–	V
Output Low Voltage	V_{OL1}	Ports R7-R9	$V_{DD} = 4.5\text{ V}$, $I_{OL} = 1.6\text{ mA}$	–	–	0.4	V
	V_{OL2}	Port R (tri-state), OSD outputs	$V_{DD} = 4.5\text{ V}$, $I_{OL} = 0.7\text{ mA}$				
Output Low Current	I_{OL}	Ports R6	$V_{DD} = 4.5\text{ V}$, $V_{OL} = 1.0\text{ V}$	–	20	–	mA
Supply Current (in the Normal mode)	I_{DD}		$V_{DD} = 5.5\text{ V}$, $f_c = 4\text{ MHz}$	–	3	6	mA
Supply Current (in the SLOW mode)	I_{DDS}		$V_{DD} = 3.0\text{ V}$	–	30	60	μA
Supply Current (in the HOLD mode)	I_{DDH}		$V_{DD} = 5.5\text{ V}$	–	0.5	10	μA

Note 1. Typ. values show those at $T_{opr} = 25\text{ }^{\circ}\text{C}$, $V_{DD} = 5\text{ V}$.

Note 2. Input Current I_{IN1} : The current through resistor is not included, when the pull-up/pull-down resistor is contained.

Note 3. Supply Current

I_{DD} , I_{DDH} : $V_{IN} = 5.3\text{ V} / 0.2\text{ V}$

The K0 port is open when the pull-up / pull-down resistor is contained. The voltage applied to the R port is within the valid range V_{IL} or V_{IH} .

I_{DDS} : $V_{IN} = 2.8\text{ V} / 0.2\text{ V}$

Low frequency clock is only oscillated (connecting XTIN,XTOUT).

A / D CONVERTER CHARACTERISTICS

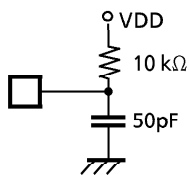
PARAMETER	SYMBOL	PINS	CONDITION	Min.	Typ.	Max.	UNIT
Analog input voltage	V_{AIN}	CIN		V_{SS}	–	V_{DD}	V
A / D conversion error	–			–	–	$\pm \frac{1}{2}$	LSB

A.C. CHARACTERISTICS

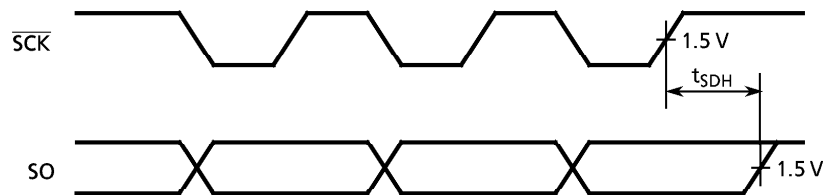
($V_{SS} = 0\text{ V}$, $V_{DD} = 4.5\text{ to }6.0\text{ V}$, $T_{opr} = -30\text{ to }70\text{ }^\circ\text{C}$)

PARAMETER	SYMBOL	CONDITION	Min.	Typ.	Max.	UNIT
Instruction Cycle Time	t_{cy}	In the Normal mode	1.3	-	20	μs
		In the SLOW mode	235	-	267	
High level Clock Pulse Width	t_{WCH}	For external clock operation	80	-	-	ns
Low level Clock Pulse Width	t_{WCL}					
Shift data Hold Time	t_{SDH}		$0.5 t_{cy} - 300$	-	-	ns

Note. Shift data Hold Time :
External circuit for $\overline{\text{SCK}}$ pin and SO pin.



Serial port (completion of transmission)



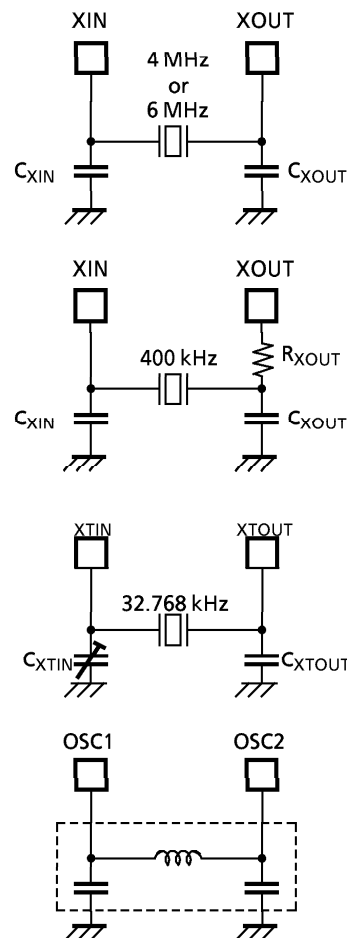
RECOMMENDED OSCILLATING CONDITIONS

($V_{SS} = 0\text{ V}$, $V_{DD} = 4.5\text{ to }6.0\text{ V}$, $T_{opr} = -30\text{ to }70\text{ }^\circ\text{C}$)

- (1) 6 MHz
Ceramic Resonator
CSA6.00MGU (MURATA) $C_{XIN} = C_{XOUT} = 30\text{ pF}$
KBR-6.00MS (KYOCERA) $C_{XIN} = C_{XOUT} = 30\text{ pF}$
- (2) 4 MHz
Ceramic Resonator
CSA4.00MG (MURATA) $C_{XIN} = C_{XOUT} = 30\text{ pF}$
KBR-4.00MS (KYOCERA) $C_{XIN} = C_{XOUT} = 30\text{ pF}$
FCR4.0MS (TDK) $C_{XIN} = C_{XOUT} = 33\text{ pF}$
Crystal Oscillator
204B-8R 4.0000 (TOYOCOM) $C_{XIN} = C_{XOUT} = 20\text{ pF}$
- (3) 400 kHz
Ceramic Resonator
CSB400B (MURATA) $C_{XIN} = C_{XOUT} = 220\text{ pF}$,
 $R_{XOUT} = 6.8\text{ k}\Omega$
KBR-400B (KYOCERA) $C_{XIN} = C_{XOUT} = 100\text{ pF}$,
 $R_{XOUT} = 10\text{ k}\Omega$
- (4) 32.768 kHz ($V_{SS} = 0\text{ V}$, $V_{DD} = 2.7\text{ to }6.0\text{ V}$, $T_{opr} = -30\text{ to }70\text{ }^\circ\text{C}$)
Crystal Oscillator C_{XTIN} , C_{XTOUT} ; 10 to 33 pF
- (5) 8 MHz (for OSD)
LC Resonator
A285TNIS - 11695 (TOKO)
- (6) 7 MHz (for OSD)
LC Resonator
TBEKSES - 30375FBY (TOKO)

Note : In order to get the accurate oscillation frequency, the adjustment of capacitors must be required.

Note : An electrical shield by metal shield plate on the surface of the IC package should be recommendable in order to prevent the device from the high electric fieldstress applied from CRT (Cathode Ray Tube) for continuous reliable operation.



TYPICAL CHARACTERISTICS

