



Product Specification	Model:	AWT-1280800T7N01	Rev. No.	Issued Date.	Page.
			A	2012/09/17	1 / 30

Thin Film Transistor LCD MODULE
MODEL: AWT-1280800T7N01
Customer's No.:

Acceptance

**3504 Lake Lynda Drive, Suite110,
Orlando, FL., USA 32817**

Approved and Checked by

Approved by	Checked by	Made by



Product Specification	Model:	AWT-1280800T7N01	Rev. No.	Issued Date.	Page.
			A	2012/09/17	2 / 30

CONTENTS

1. GENERAL DESCRIPTION	4
1.1 OVERVIEW	4
1.2 GENERAL SPECIFICATIONS	4
2. MECHANICAL SPECIFICATIONS	4
2.1 CONNECTOR TYPE	4
3. ABSOLUTE MAXIMUM RATINGS	5
3.1 ABSOLUTE RATINGS OF ENVIRONMENT	5
3.2 ELECTRICAL ABSOLUTE RATINGS.....	5
3.2.1 TFT LCD MODULE	5
4. ELECTRICAL SPECIFICATIONS.....	6
4.1 FUNCTION BLOCK DIAGRAM.....	6
4.2. INTERFACE CONNECTIONS	6
4.3 ELECTRICAL CHARACTERISTICS.....	8
4.3.1 LCD ELETRONICS SPECIFICATION.....	8
4.3.2 LED CONVERTER SPECIFICATION.....	10
4.3.3 BACKLIGHT UNIT	12
4.4 LVDS INPUT SIGNAL TIMING SPECIFICATIONS	13
4.4.1 LVDS DC SPECIFICATIONS	13
4.4.2 LVDS DATA FORMAT	14
4.4.3 COLOR DATA INPUT ASSIGNMENT	15
4.5 DISPLAY TIMING SPECIFICATIONS	16
4.6 POWER ON/OFF SEQUENCE	17
5. OPTICAL CHARACTERISTICS	18
5.1 TEST CONDITIONS.....	18
5.2 OPTICAL SPECIFICATIONS	18
6. RABILITY TEST ITEM	23
7. PRECAUTIONS	24
7.1 HANDLING PRECAUTIONS.....	24
7.2 STORAGE PRECAUTIONS	24
7.3 OPERATION PRECAUTIONS.....	24
Appendix. EDID DATA STRUCTURE	25
Appendix. OUTLINE DRAWING	28



Product Specification	Model:	AWT-1280800T7N01	Rev. No.	Issued Date.	Page.
			A	2012/09/17	3 / 30

REVISION HISTORY

Version	Date	Page	Description
A	2012/09/17	All	First issued.



Product Specification	Model:	AWT-1280800T7N01	Rev. No.	Issued Date.	Page.
			A	2012/09/17	4 / 30

1. GENERAL DESCRIPTION

1.1 OVERVIEW

AWT-1280800T7N01 is a 7" (6.95" diagonal) TFT Liquid Crystal Display module with LED Backlight unit and 39 pins LVDS interface. This module supports 1280 x 800 WXGA mode.

1.2 GENERAL SPECIFICATIONS

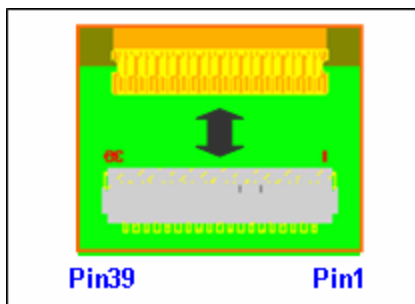
Item	Specification	Unit	Note
Screen Size	6.95" diagonal		
Driver Element	a-si TFT active matrix	-	-
Pixel Number	1280 x R.G.B. x 800	pixel	-
Pixel Pitch	0.117 (H) x 0.117 (V)	mm	-
Pixel Arrangement	RGB vertical stripe	-	-
Display Colors	16777216 (8 bit)	color	-
Transmissive Mode	Normally Black	-	-
Surface Treatment	Hard coating (3H), Glare	-	-
Luminance, White	350	cd/m2	-

2. MECHANICAL SPECIFICATIONS

Item		Min.	Typ.	Max.	Unit	Note
Module Size	Horizontal (H)	160.8	161	161.2	mm	(1)
	Vertical (V)	106.8	107	107.2	mm	
	Thickness_ Top (T)	-	2.5	2.7	mm	
	Thickness_ Bottom (T)	-	4.26	4.46	mm	
	Thickness_ Bottom w/ Label(T)		4.39	4.59		
Bezel Area	Horizontal	151.46	151.76	152.06	mm	
	Vertical	95.3	95.6	95.9	mm	
Active Area	Horizontal	149.46	149.76	150.06	mm	
	Vertical	93.3	93.6	93.9	mm	
Weight		-	85	95	g	

Note (1) Please refer to the attached drawings for more information of front and back outline dimensions.

2.1 CONNECTOR TYPE



Please refer Appendix Outline Drawing for detail design.

User's connector Part No: FCI-10064555-392120HLF or equivalent.



Product Specification	Model:	AWT-1280800T7N01	Rev. No.	Issued Date.	Page.
			A	2012/09/17	5 / 30

3. ABSOLUTE MAXIMUM RATINGS

3.1 ABSOLUTE RATINGS OF ENVIRONMENT

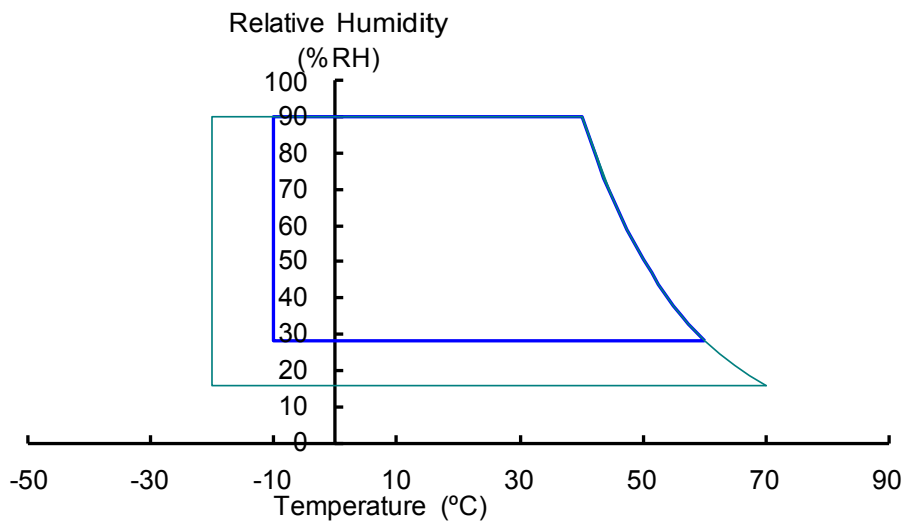
Item	Symbol	Value		Unit	Note
		Min.	Max.		
Storage Temperature	T _{ST}	-20	+70	°C	(1)
Operating Ambient Temperature	T _{OP}	-10	+60	°C	(1), (2)

Note (1) (a) 90 %RH Max. (Ta <= 40 °C).

(b) Wet-bulb temperature should be 39 °C Max. (Ta > 40 °C).

(c) No condensation.

Note (2) The temperature of panel surface should be -10 °C min. and 70 °C max.



3.2 ELECTRICAL ABSOLUTE RATINGS

3.2.1 TFT LCD MODULE

Item	Symbol	Value			Unit	Note
		Min.	Typ	Max.		
Driver Digital Power	VCCS	-0.3	-	5	V	(1)
Data Driver Analog power	AVDD	-0.5	-	15	V	(1)
TFT Turn-on Voltage	VGG	-0.3	-	40	V	(1)
TFT Turn-off Voltage	VEE	-20	-	0.3	V	(1)
Supply range, VGG-VEE	VGG-VEE	-0.3	-	40	V	(1)
Digital Input Voltage	V _i	-0.3	-	4	V	(1)
VCOM Voltage	VCOM	-	(4)	-	V	(1)

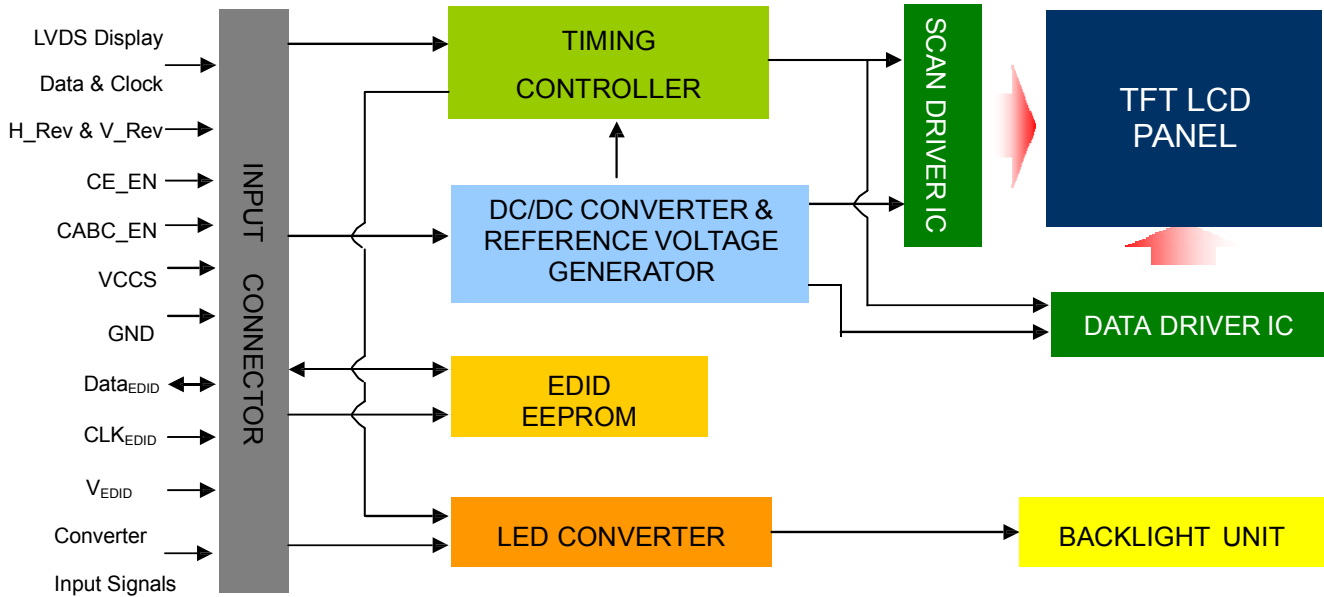
Note (1) Stresses beyond those listed in above “ELECTRICAL ABSOLUTE RATINGS” may cause permanent damage to the device. Normal operation should be restricted to the conditions described in “ELECTRICAL CHARACTERISTICS”.



Product Specification	Model:	AWT-1280800T7N01	Rev. No.	Issued Date.	Page.
			A	2012/09/17	6 / 30

4. ELECTRICAL SPECIFICATIONS

4.1 FUNCTION BLOCK DIAGRAM



4.2. INTERFACE CONNECTIONS

PIN ASSIGNMENT

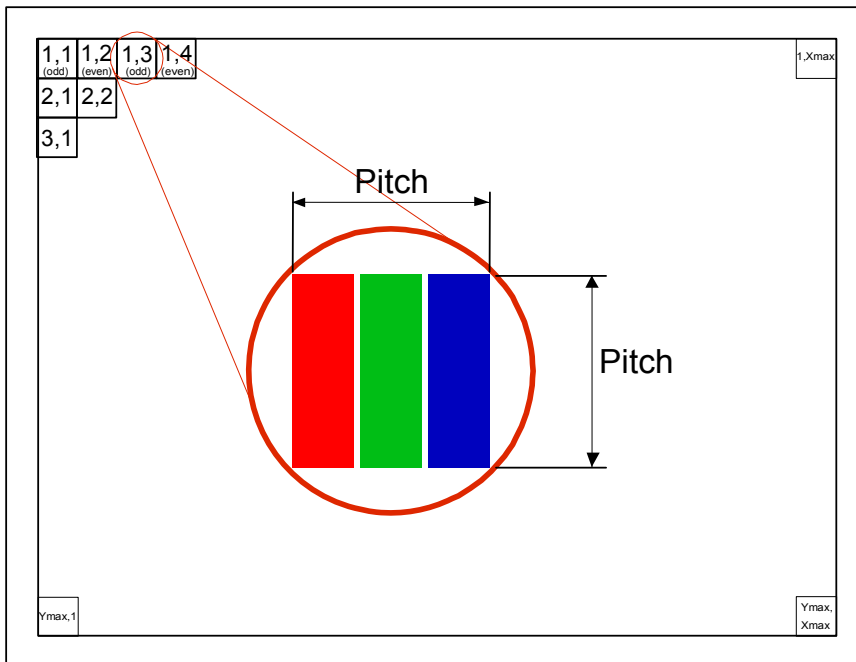
Pin	Symbol	Description	Remark
1	VCCS	Power Supply (3.3V typ.)	
2	VCCS	Power Supply (3.3V typ.)	
3	VEDID	DDC 3.3V power	
4	NC	No Connection (Reserved for CMI test)	
5	CLKEDID	DDC clock	
6	DATAEDID	DDC data	
7	Rxin0-	LVDS differential data input	R0-R5, G0
8	Rxin0+	LVDS differential data input	
9	VSS	Ground	
10	Rxin1-	LVDS differential data input	G1~G5, B0, B1
11	Rxin1+	LVDS differential data input	
12	VSS	Ground	
13	Rxin2-	LVDS Differential Data Input	B2-B5,HS,VS, DE
14	Rxin2+	LVDS Differential Data Input	
15	VSS	Ground	
16	RxCLK-	LVDS differential clock input	LVDS CLK
17	RxCLK+	LVDS differential clock input	
18	VSS	Ground	
19	Rxin3-	LVDS Differential Data Input	R[6], R[7], G[6], G[7], B[6], B[7]
20	Rxin3+	LVDS Differential Data Input	
21	VSS	Ground	
22	CE_EN	Color Engine Function Enable	(3)
23	NC	No Connection (Reserve)	



Product Specification	Model:	AWT-1280800T7N01	Rev. No.	Issued Date.	Page.
			A	2012/09/17	7 / 30

24	VSS	Ground	
25	NC	No Connection (Reserve)	
26	NC	No Connection (Reserve)	
27	VSS	Ground	
28	H_Rev	Reverse Scanning Display in Horizontal	(2)
29	V_Rev	Reverse Scanning Display in Vertical	(2)
30	LED_GND	LED Ground	
31	LED_GND	LED Ground	
32	LED_GND	LED Ground	
33	NC	No Connection (Reserve)	
34	LED_PWM	PWM Control Signal of LED Converter	
35	LED_EN	Enable Control Signal of LED Converter	(3)
36	CABC_EN	CABC Enable Input	(3)
37	LED_VCCS	LED Power Supply	
38	LED_VCCS	LED Power Supply	
39	LED_VCCS	LED Power Supply	

Note (1) The first pixel is odd as shown in the following figure.



Note (2) The scanning display setting of H_Rev and V_Rev function are as follows.

Pin	Hi	Lo or Open
H_Rev	From Right to Left in Horizontal	From Left to Right in Horizontal
V_Rev	From Bottom to Top in Vertical	From Top to Bottom in Vertical

Hi = High level, Lo = Low level.

Note (3) The setting of CE/CABC function are as follows.

Pin	Enable	Disable
CE_EN	Hi	Lo or Open
LED_EN	Hi	Lo or Open
CABC_EN	Hi	Lo or Open

Hi = High level, Lo = Low level.



Product Specification	Model:	AWT-1280800T7N01	Rev. No.	Issued Date.	Page.
			A	2012/09/17	8 / 30

4.3 ELECTRICAL CHARACTERISTICS

4.3.1 LCD ELETRONICS SPECIFICATION

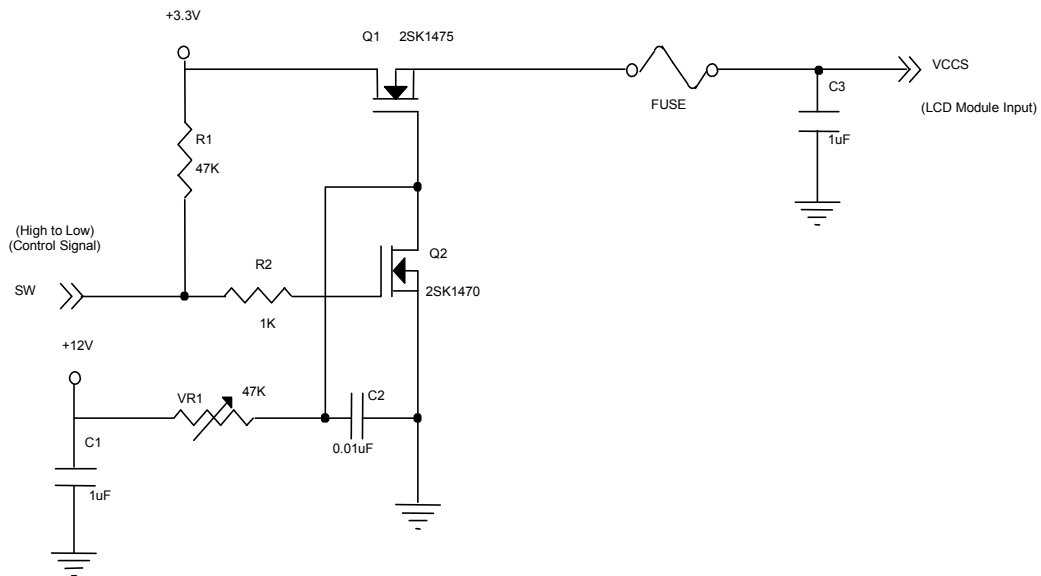
Parameter	Symbol	Value			Unit	Note	
		Min.	Typ.	Max.			
Power Supply Voltage	VCCS	3.0	3.3	3.6	V	(1)-	
Ripple Voltage	V _{RP}	-	50	-	mV	(1)-	
CABC_EN, CE_EN H_Rev, V_Rev	High Level	V _{IH}	(2.3)	-	(3.6)	V	
	Low Level	V _{IL}	(0)	-	(0.5)	V	
Input Voltage							
Inrush Current	I _{RUSH}	-	-	1.5	A	(1),(2)	
Power Supply Current	Mosaic	I _{CC}	-	(249)	(272)	mA	(3)a
	White		-	(273)	(300)	mA	(3)b

Note (1) The ambient temperature is Ta = 25 ± 2 °C.

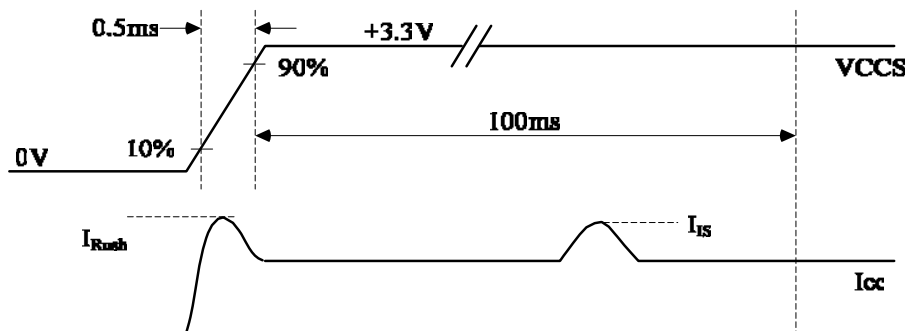
Note (2) I_{RUSH}: the maximum current when VCCS is rising

I_{IS}: the maximum current of the first 100ms after power-on

Measurement Conditions: Shown as the following figure. Test pattern: black.



VCCS rising time is 0.5ms

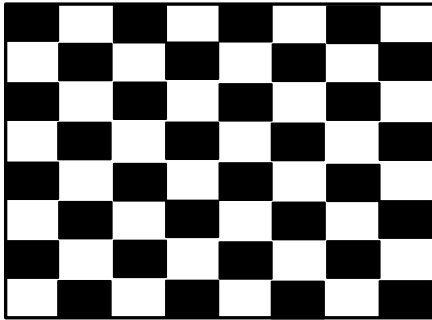




Product Specification	Model:	AWT-1280800T7N01	Rev. No.	Issued Date.	Page.
			A	2012/09/17	9 / 30

Note (3) The specified power supply current is under the conditions at $V_{CCS} = 3.3\text{ V}$, $T_a = 25 \pm 2\text{ }^\circ\text{C}$, DC Current and $f_v = 60\text{ Hz}$, whereas a power dissipation check pattern below is displayed.

a. Mosaic Pattern



Active Area

b. White Pattern



Active Area



Product Specification	Model:	AWT-1280800T7N01	Rev. No.	Issued Date.	Page.
			A	2012/09/17	10 / 30

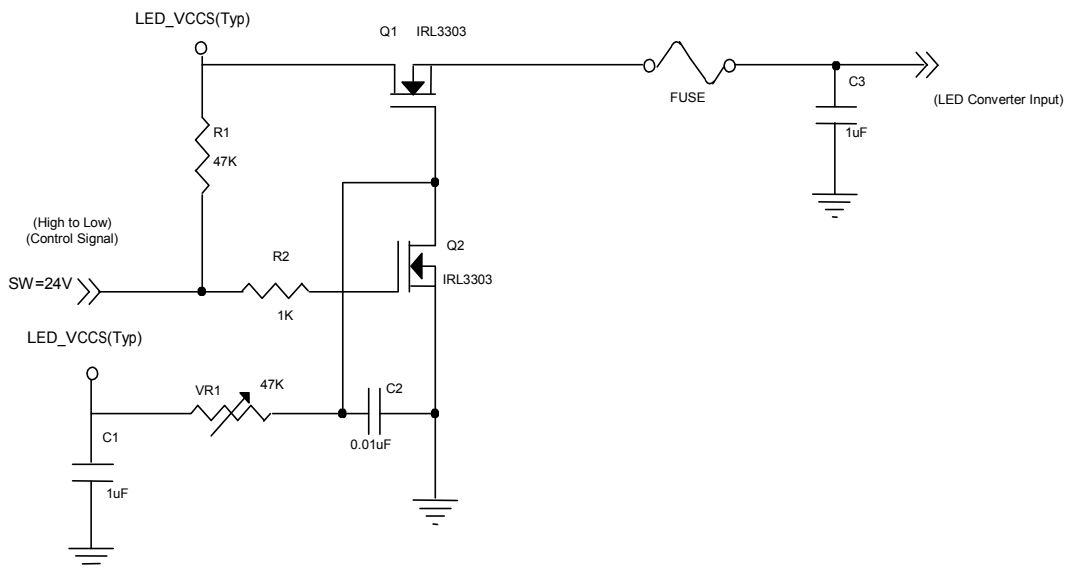
4.3.2 LED CONVERTER SPECIFICATION

Parameter		Symbol	Value			Unit	Note
			Min.	Typ.	Max.		
Converter Input power supply voltage		LED_VCCS	(6.0)	(12.0)	(21.0)	V	
Converter Inrush Current		I _{LED_{RUSH}}	-	-	(1.5)	A	(1)
EN Control Level	Backlight On		(2.3)	-	(5.0)	V	
	Backlight Off		0	-	(0.5)	V	
PWM Control Level	PWM High Level		(2.3)	-	(5.0)	V	
	PWM Low Level		0	-	(0.5)	V	
PWM Control Duty Ratio			(10)	-	100	%	
PWM Control Permissible Ripple Voltage		V _{PWM_pp}	-	-	100	mV	
PWM Control Frequency		f _{PWM}	(190)	-	(20K)	Hz	(2)
LED Power Current	LED_VCCS =Typ.	I _{LED}	(83)	(104)	(125)	mA	(3)

Note (1) I_{LED_{RUSH}}: the maximum current when LED_VCCS is rising,

I_{LED_{IS}}: the maximum current of the first 100ms after power-on,

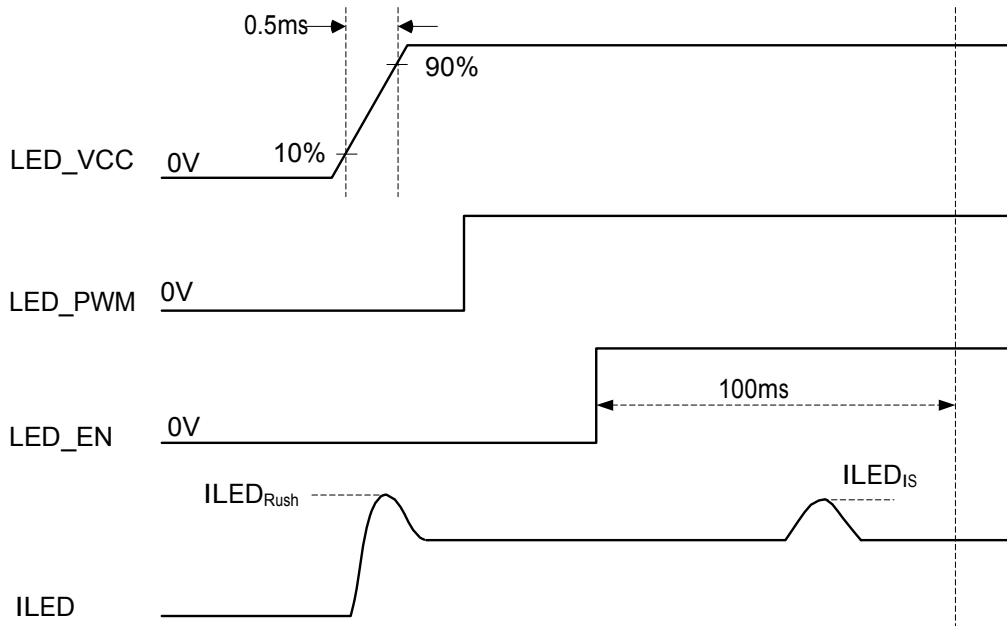
Measurement Conditions: Shown as the following figure. LED_VCCS = Typ, Ta = 25 ± 2 °C, f_{PWM} = 200 Hz, Duty=100%.





Product Specification	Model:	AWT-1280800T7N01	Rev. No.	Issued Date.	Page.
			A	2012/09/17	11 / 30

VLEDrising time is 0.5ms



Note (2) If PWM control frequency is applied in the range less than 1KHz, the “waterfall” phenomenon on the screen may be found. To avoid the issue, it’s a suggestion that PWM control frequency should follow the criterion as below.

PWM control frequency f_{PWM} should be in the range

$$(N + 0.33) * f \leq f_{PWM} \leq (N + 0.66) * f$$

N : Integer (N ≥ 3)

f : Frame rate

Note (3) The specified LED power supply current is under the conditions at “LED_VCCS = Typ.”, Ta = 25 ± 2 °C, f_{PWM} = 200 Hz, Duty=100%.



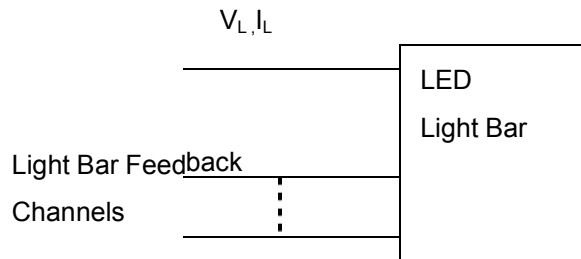
Product Specification	Model:	AWT-1280800T7N01	Rev. No.	Issued Date.	Page.
			A	2012/09/17	12 / 30

4.3.3 BACKLIGHT UNIT

Ta = 25 ± 2 °C

Parameter	Symbol	Value			Unit	Note
		Min.	Typ.	Max.		
LED Light Bar Power Supply Voltage	V _L	22.5	26.1	27	V	(1)(2)(Duty100%)
LED Light Bar Power Supply Current	I _L	38	40	42	mA	
Power Consumption	P _L	0.86	1.04	1.13	W	(3)
LED Life Time	L _{BL}	12000	-	-	Hrs	(4)

Note (1) LED current is measured by utilizing a high frequency current meter as shown below :



Note (2) For better LED light bar driving quality, it is recommended to utilize the adaptive boost converter with current balancing function to drive LED light-bar.

Note (3) $P_L = I_L \times V_L$ (Without LED converter transfer efficiency)

Note (4) The lifetime of LED is defined as the time when it continues to operate under the conditions at Ta = 25 ± 2 °C and I_L = 20 mA(Per EA) until the brightness becomes ≤ 50% of its original value.



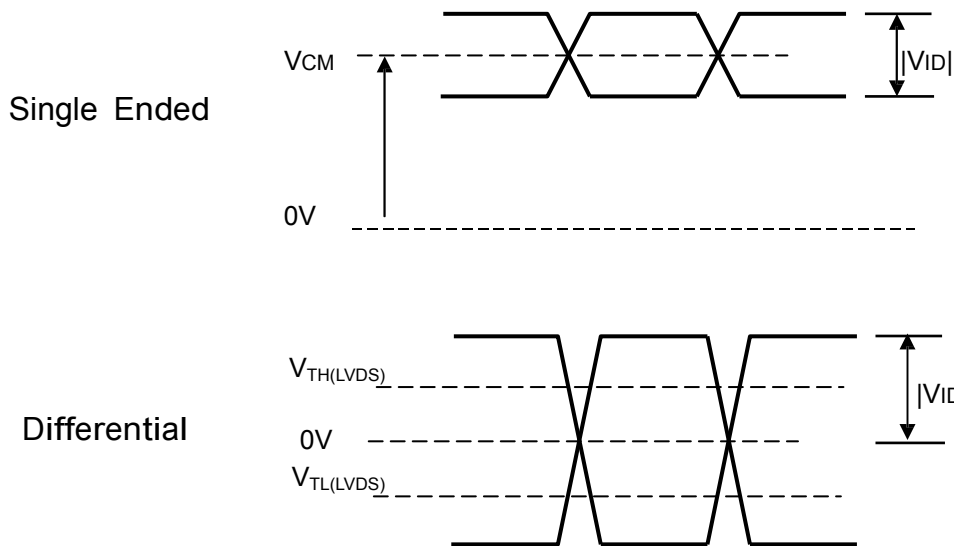
Product Specification	Model:	AWT-1280800T7N01	Rev. No.	Issued Date.	Page.
			A	2012/09/17	13 / 30

4.4 LVDS INPUT SIGNAL TIMING SPECIFICATIONS

4.4.1 LVDS DC SPECIFICATIONS

Parameter	Symbol	Value			Unit	Note
		Min.	Typ.	Max.		
LVDS Differential Input High Threshold	$V_{TH(LVDS)}$	-	-	+100	mV	(1), $V_{CM}=1.2V$
LVDS Differential Input Low Threshold	$V_{TL(LVDS)}$	-100	-	-	mV	(1), $V_{CM}=1.2V$
LVDS Common Mode Voltage	V_{CM}	1.125	-	1.375	V	(1)
LVDS Differential Input Voltage	$ V_{ID} $	100	-	600	mV	(1)
LVDS Terminating Resistor	R_T	-	100	-	Ohm	-

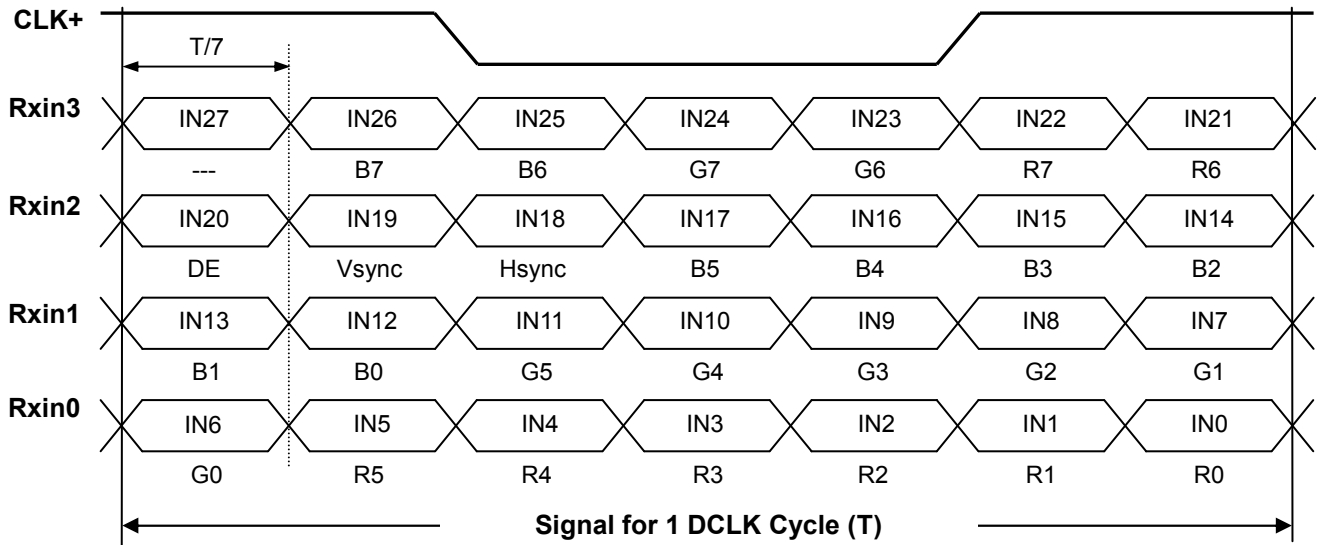
Note (1) The parameters of LVDS signals are defined as the following figures.





Product Specification	Model:	AWT-1280800T7N01	Rev. No.	Issued Date.	Page.
			A	2012/09/17	14 / 30

4.4.2 LVDS DATA FORMAT





Product Specification	Model:	AWT-1280800T7N01	Rev. No.	Issued Date.	Page.
			A	2012/09/17	15 / 30

4.4.3 COLOR DATA INPUT ASSIGNMENT

The brightness of each primary color (red, green and blue) is based on the 8-bit gray scale data input for the color. The higher the binary input the brighter the color. The table below provides the assignment of color versus data input.

Color		Data Signal																
		Red					Green					Blue						
		R7	R6	...	R2	R1	R0	G7	G6	...	G2	G1	G0	B7	B6	...	B2	B1
Basic Colors	Black	0	0	0	0	0	0	0	0	0	0	0	0	0	0	0	0	0
	Red	1	1	1	1	1	1	0	0	0	0	0	0	0	0	0	0	0
	Green	0	0	0	0	0	0	1	1	1	1	1	1	0	0	0	0	0
	Blue	0	0	0	0	0	0	0	0	0	0	0	1	1	1	1	1	1
	Cyan	0	0	0	0	0	0	1	1	1	1	1	1	1	1	1	1	1
	Magenta	1	1	1	1	1	1	0	0	0	0	0	0	1	1	1	1	1
	Yellow	1	1	1	1	1	1	1	1	1	1	1	1	0	0	0	0	0
	White	1	1	1	1	1	1	1	1	1	1	1	1	1	1	1	1	1
Gray Scale Of Red	Red(0)/Dark	0	0	0	0	0	0	0	0	0	0	0	0	0	0	0	0	0
	Red(1)	0	0	0	0	0	1	0	0	0	0	0	0	0	0	0	0	0
	Red(2)	0	0	0	0	1	0	0	0	0	0	0	0	0	0	0	0	0
	:	:	:	:	:	:	:	:	:	:	:	:	:	:	:	:	:	:
	:	:	:	:	:	:	:	:	:	:	:	:	:	:	:	:	:	:
	:	:	:	:	:	:	:	:	:	:	:	:	:	:	:	:	:	:
	Red(253)	1	1	1	1	0	1	0	0	0	0	0	0	0	0	0	0	0
	Red(254)	1	1	1	1	1	0	0	0	0	0	0	0	0	0	0	0	0
Red(255)	1	1	1	1	1	1	0	0	0	0	0	0	0	0	0	0	0	
Gray Scale Of Green	Green(0)/Dark	0	0	0	0	0	0	0	0	0	0	0	0	0	0	0	0	0
	Green(1)	0	0	0	0	0	0	0	0	0	0	1	0	0	0	0	0	0
	Green(2)	0	0	0	0	0	0	0	0	0	1	0	0	0	0	0	0	0
	:	:	:	:	:	:	:	:	:	:	:	:	:	:	:	:	:	:
	:	:	:	:	:	:	:	:	:	:	:	:	:	:	:	:	:	:
	:	:	:	:	:	:	:	:	:	:	:	:	:	:	:	:	:	:
	Green(253)	0	0	0	0	0	0	1	1	1	1	0	1	0	0	0	0	0
	Green(254)	0	0	0	0	0	0	1	1	1	1	1	0	0	0	0	0	0
Green(255)	0	0	0	0	0	0	1	1	1	1	1	1	0	0	0	0	0	
Gray Scale Of Blue	Blue(0)/Dark	0	0	0	0	0	0	0	0	0	0	0	0	0	0	0	0	0
	Blue(1)	0	0	0	0	0	0	0	0	0	0	0	0	0	0	0	0	1
	Blue(2)	0	0	0	0	0	0	0	0	0	0	0	0	0	0	0	1	0
	:	:	:	:	:	:	:	:	:	:	:	:	:	:	:	:	:	:
	:	:	:	:	:	:	:	:	:	:	:	:	:	:	:	:	:	:
	:	:	:	:	:	:	:	:	:	:	:	:	:	:	:	:	:	:
	Blue(253)	0	0	0	0	0	0	0	0	0	0	0	1	1	1	1	0	1
	Blue(254)	0	0	0	0	0	0	0	0	0	0	0	1	1	1	1	1	0
Blue(255)	0	0	0	0	0	0	0	0	0	0	0	1	1	1	1	1	1	

Note (1) 0: Low Level Voltage, 1: High Level Voltage



Product Specification	Model:	AWT-1280800T7N01	Rev. No.	Issued Date.	Page.
			A	2012/09/17	16 / 30

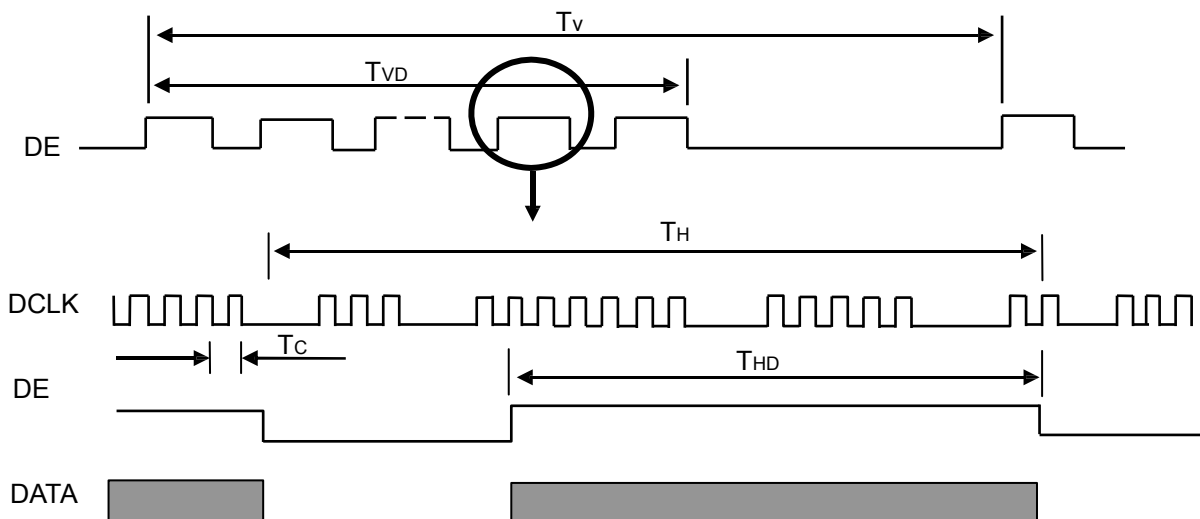
4.5 DISPLAY TIMING SPECIFICATIONS

The input signal timing specifications are shown as the following table and timing diagram.

Signal	Item	Symbol	Min.	Typ.	Max.	Unit	Note
DCLK	Frequency	1/Tc	(67.55)	(71.11)	(78.22)	MHz	-
DE	Vertical Total Time	TV	(813)	(823)	(833)	TH	-
	Vertical Active Display Period	TVD	800	800	800	TH	-
	Vertical Active Blanking Period	TVB	TV-TVD	(23)	TV-TVD	TH	-
	Horizontal Total Time	TH	(1410)	(1440)	(1470)	Tc Tc	-
	Horizontal Active Display Period	THD	1280	1280	1280	Tc	-
	Horizontal Active Blanking Period	THB	TH-THD	(160)	TH-THD		-

Note (1) Because this module is operated by DE only mode, Hsync and Vsync are ignored.

INPUT SIGNAL TIMING DIAGRAM



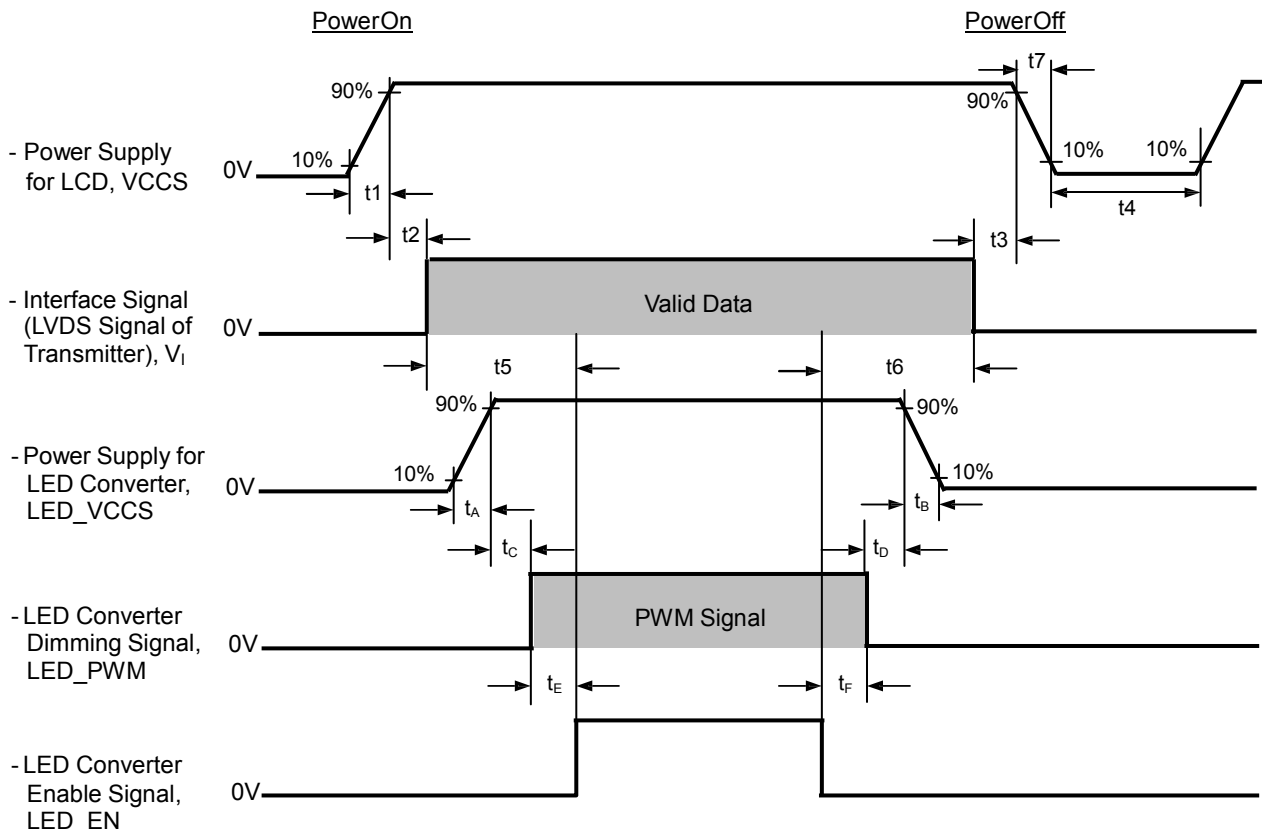


Product Specification	Model:	AWT-1280800T7N01	Rev. No.	Issued Date.	Page.
			A	2012/09/17	17 / 30

4.6 POWER ON/OFF SEQUENCE

The power sequence specifications are shown as the following table and diagram.

Symbol	Value			Unit	Note
	Min.	Typ.	Max.		
t1	0.5	-	10	ms	
t2	0	-	50	ms	
t3	0	-	50	ms	
t4	500	-	-	ms	
t5	200	-	-	ms	
t6	200	-	-	ms	
t7	0.5	-	10	ms	
tA	0.5	-	10	ms	
tB	0	-	10	ms	
tC	10	-	-	ms	
tD	10	-	-	ms	
tE	10	-	-	ms	
tF	10	-	-	ms	



Note (1) Please don't plug or unplug the interface cable when system is turned on.

Note (2) Please avoid floating state of the interface signal during signal invalid period.

Note (3) It is recommended that the backlight power must be turned on after the power supply for LCD and the interface signal is valid.



Product Specification	Model:	AWT-1280800T7N01	Rev. No.	Issued Date.	Page.
			A	2012/09/17	18 / 30

5. OPTICAL CHARACTERISTICS

5.1 TEST CONDITIONS

Item	Symbol	Value	Unit
Ambient Temperature	Ta	25±2	°C
Ambient Humidity	Ha	50±10	%RH
Supply Voltage	V _{CC}	3.3	V
Input Signal	According to typical value in "3. ELECTRICAL CHARACTERISTICS"		
LED Light Bar Input Current	I _L	40	mA

The measurement methods of optical characteristics are shown in Section 5.2. The following items should be measured under the test conditions described in Section 5.1 and stable environment shown in Note (5).

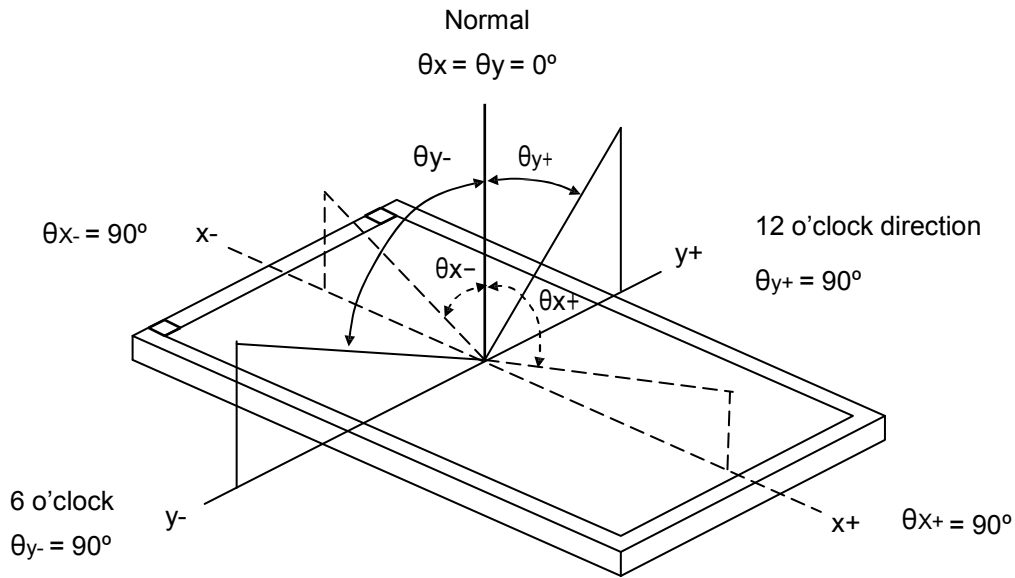
5.2 OPTICAL SPECIFICATIONS

Item	Symbol	Condition	Min.	Typ.	Max.	Unit	Note	
Contrast Ratio	CR	$\theta_x=0^\circ, \theta_y=0^\circ$ Viewing Normal Angle	600	800	-	-	(2), (5),(9)	
Response Time	T _R		-	14	17	ms	(3),(9)	
	T _F		-	11	14	ms		
Average Luminance of White	L _{Ave}		340	400	-	cd/m ²	(4), (6),(9)	
Color Chromaticity	Red		R _x	Typ - 0.03	0.596	Typ + 0.03	-	(1),(9)
			R _y		0.340		-	
	Green		G _x		0.305		-	
			G _y		0.568		-	
	Blue		B _x		0.147		-	
			B _y		0.120		-	
	White	W _x	(0.308)		-			
		W _y	(0.324)		-			
Color Gamut	C.G	45	50	-	%			
Viewing Angle	Horizontal	θ_{x+}	80	89	-	Deg.	(1),(5), (9)	
		θ_{x-}	80	89	-			
	Vertical	θ_{y+}	80	89	-			
		θ_{y-}	80	89	-			
Flicker	-	-	-	-	-30	dB	(7),(9)	
Gamma	-	-	1.9	2.2	2.5	-	-	
Crosstalk	Δ CT	-	-	1.08	1.10	-	(8),(9)	
White Variation of 9 Points	δW_{9p}	$\theta_x=0^\circ, \theta_y=0^\circ$	70	80	-	%	(5),(6), (9)	



Product Specification	Model:	AWT-1280800T7N01	Rev. No.	Issued Date.	Page.
			A	2012/09/17	19 / 30

Note (1) Definition of Viewing Angle (θ_x, θ_y)



Note (2) Definition of Contrast Ratio (CR):

The contrast ratio can be calculated by the following expression.

$$\text{Contrast Ratio (CR)} = L_{63} / L_0$$

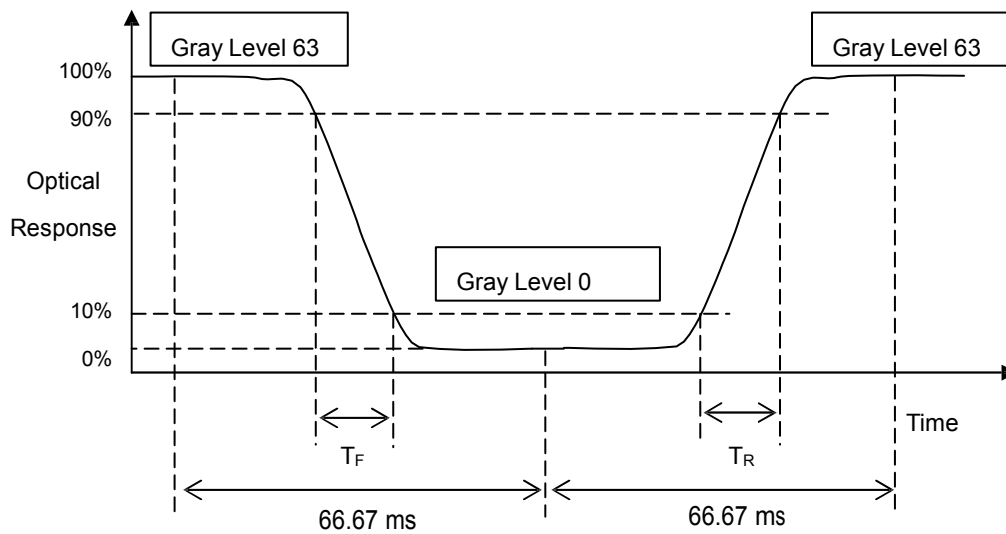
L63: Luminance of gray level 63

L 0: Luminance of gray level 0

$$\text{CR} = \text{CR} (1)$$

CR (X) is corresponding to the Contrast Ratio of the point X at Figure in Note (6).

Note (3) Definition of Response Time (T_R, T_F):





Product Specification	Model:	AWT-1280800T7N01	Rev. No.	Issued Date.	Page.
			A	2012/09/17	20 / 30

Note (4) Definition of Average Luminance of White (L_{AVE}):

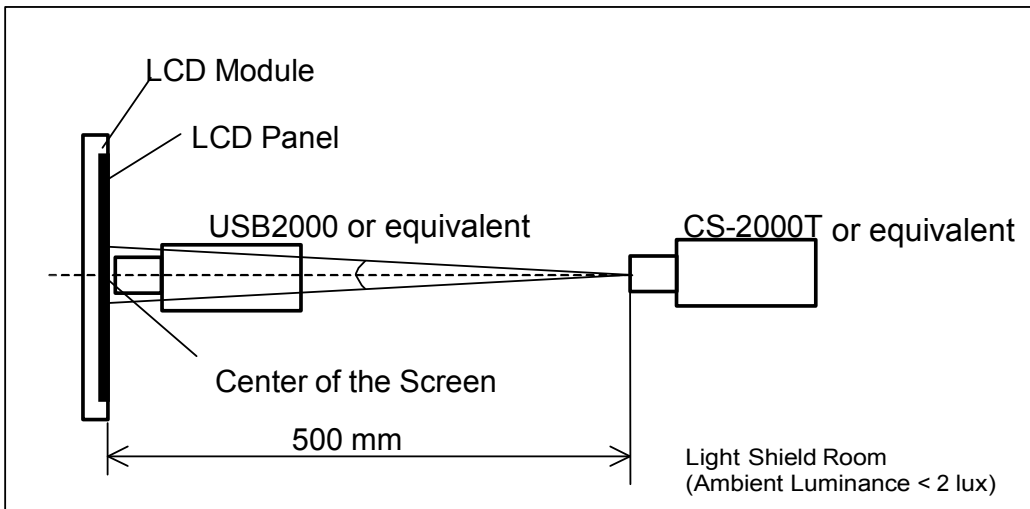
Measure the luminance of gray level 63 at 5 points

$$L_{AVE} = [L(1) + L(2) + L(3) + L(4) + L(5)] / 5$$

L(x) is corresponding to the luminance of the point X at Figure in Note (6)

Note (5) Measurement Setup:

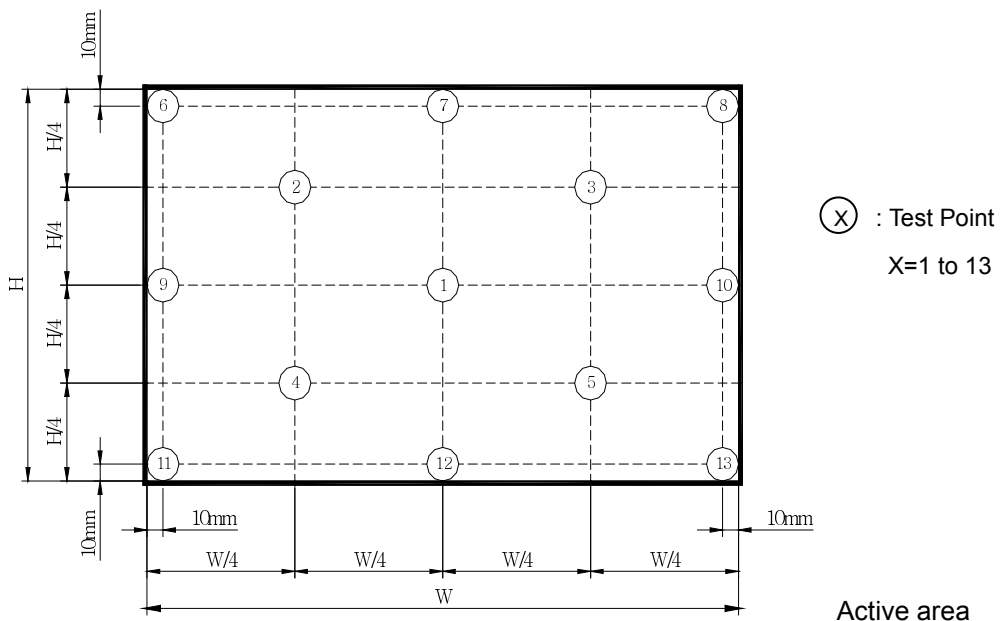
The LCD module should be stabilized at given temperature for 20 minutes to avoid abrupt temperature change during measuring. In order to stabilize the luminance, the measurement should be executed after lighting Backlight for 20 minutes in a windless room.



Note (6) Definition of White Variation (δW):

Measure the luminance of gray level 63 at 9 points

$$\delta W_{9p} = \{ \text{Minimum} [L(1) + L(6) + L(7) + L(8) + L(9) + L(10) + L(11) + L(12) + L(13)] / \text{Maximum} [L(1) + L(6) + L(7) + L(8) + L(9) + L(10) + L(11) + L(12) + L(13)] \} * 100\%$$





Product Specification	Model:	AWT-1280800T7N01	Rev. No.	Issued Date.	Page.
			A	2012/09/17	21 / 30

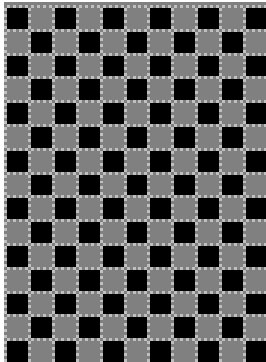
Note (7) Definition for Flicker:

Measurement equipment: CA-210

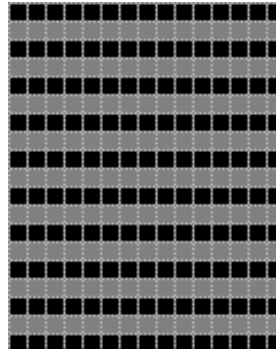
Measuring temperature: Ta=25°C.

Test method: JEITA method

Test pattern: Refer to below (Test Pattern should be full-fill of display screen)



For Dot Inversion



For Line Inversion



For Frame Inversion

The point should be marked is, the background of Flicker Test Pattern-“gray “ are defined as middle gray scale . For example, RGB 24bit “gray” defined as below:

R7	R6	R5	R4	R3	R2	R1	R0	G7	G6	G5	G4	G3	G2	G1	G0	B7	B6	B5	B4	B3	B2	B1	B0
1	0	0	0	0	0	0	0	1	0	0	0	0	0	0	0	1	0	0	0	0	0	0	0

Frame Frequency Requirement before test The LCD must be tuned to more than 65HZ before measurement .

Measurement Point: the center of display active area

Conversion of Flicker ratio:

$$\text{Flicker[dB]} = 10 \times \log[P_x/P_0]$$

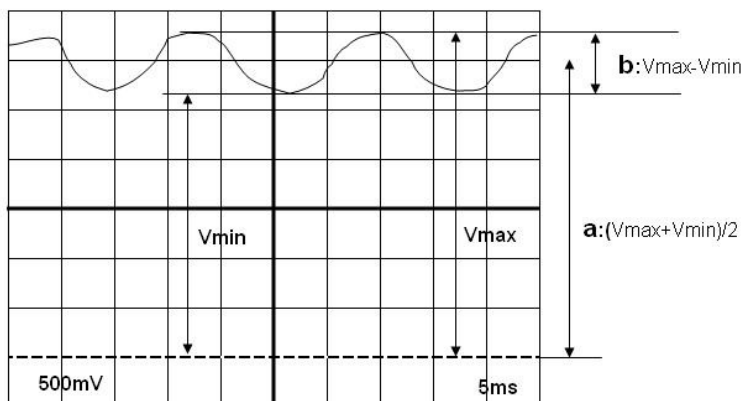
Where

Px: Maximum power spectrum of AC component after passing through integrator

P0: Power spectrum of DC component after passing through integrator

AC component=b (Refer to below diagram)

DC component=a (Refer to below diagram)





Product Specification	Model:	AWT-1280800T7N01	Rev. No.	Issued Date.	Page.
			A	2012/09/17	22 / 30

Note (8) Crosstalk

There should be no visible cross-talk in normal direction of the display when the "Cross-talk Test Pattern" below are loaded.

Measurement equipment : CS2000

The point should be marked is, the background of Cross-talk Test Pattern-"gray" are defined as middle gray scale . For example , 262K (RGB18bit) as below

R5	R4	R3	R2	R1	R0	G5	G4	G3	G2	G1	G0	B5	B4	B3	B2	B1	B0
0	1	1	1	1	1	0	1	1	1	1	1	0	1	1	1	1	1

$$\Delta B_{pn} = B_{pn}(\text{gray}) / B_{pn}(\text{white})$$

Which n means the dot No. In the Cross-talk Test Pattern;

B_{pn} (gray) means the brightness of the No.n spots in Cross-talk Test Pattern;

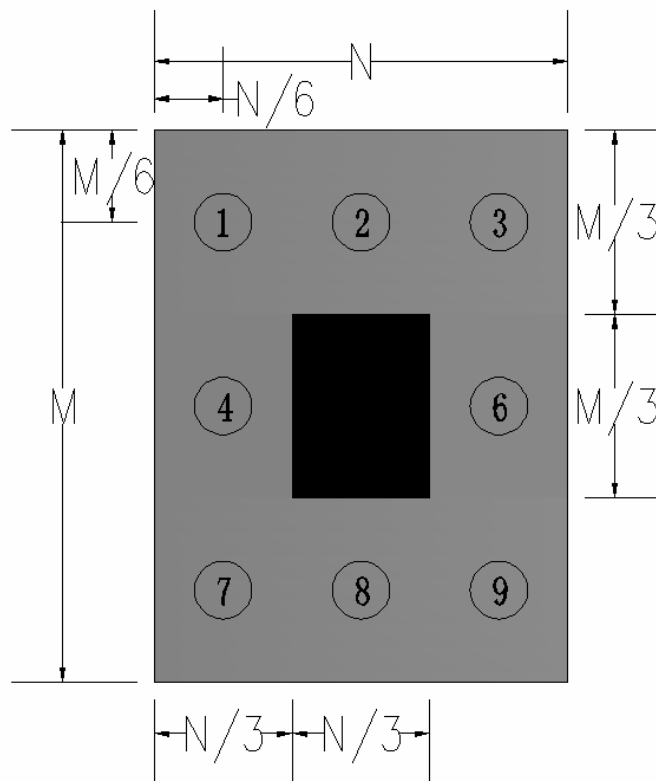
B_{pn} (white) means the brightness of the No.n spots in Full white Test Pattern;

$$\Delta B_p(\text{Max.}) = \text{Maximum value in } \Delta B_{p1} \sim \Delta B_{p9}, \text{ except the No. 5 spot.}$$

$$\Delta B_p(\text{Min.}) = \text{Minimum value in } \Delta B_{p1} \sim \Delta B_{p9}, \text{ except the No.5 spot.}$$

$$\Delta CT = \Delta B_p(\text{Max.}) / \Delta B_p(\text{Min.}).$$

ΔCT must less than 1.10



Cross-talk Test Pattern

Note(9) The listed optical specifications refer to the initial value of manufacture, but the condition of the specifications after long-term operation will not be warranted.



Product Specification	Model:	AWT-1280800T7N01	Rev. No.	Issued Date.	Page.
			A	2012/09/17	23 / 30

6. RABILITY TEST ITEM

Test Item	Test Condition	Note
High Temperature Storage Test	70°C, 240 hours	(1) (2)
Low Temperature Storage Test	-20°C, 240 hours	
Thermal Shock Storage Test	-20°C, 0.5hour ←→ 70°C, 0.5hour; 100cycles, 1hour/cycle	
High Temperature Operation Test	60°C, 240 hours	
Low Temperature Operation Test	-10°C, 240 hours	
High Temperature & High Humidity Operation Test	60°C, 90%RH, 240hours	
ESD Test (Operation)	150pF, 330Ω, 1sec/cycle Condition 1 : Contact Discharge, ±8KV Condition 2 : Air Discharge, ±15KV	(1)
Shock (Non-Operating)	180G, 2ms, half sine wave, 1 time for each direction of ±X, ±Y, ±Z	(1)(3)
Vibration (Non-Operating)	1.5G / 10-500 Hz, Sine wave, 60 min/cycle, 1cycle for each X, Y, Z	(1)(3)

Note (1) Criteria: Normal display image with no obvious non-uniformity and no line defect.

Note (2) Evaluation should be tested after storage at room temperature for more than two hour

Note (3) At testing Vibration and Shock, the fixture in holding the module has to be hard and rigid enough so that the module would not be twisted or bent by the fixture.



<i>Product Specification</i>	<i>Model:</i>	<i>AWT-1280800T7N01</i>	<i>Rev. No.</i>	<i>Issued Date.</i>	<i>Page.</i>
			A	2012/09/17	24 / 30

7. PRECAUTIONS

7.1 HANDLING PRECAUTIONS

- (1) The module should be assembled into the system firmly by using every mounting hole. Be careful not to twist or bend the module.
- (2) While assembling or installing modules, it can only be in the clean area. The dust and oil may cause electrical short or damage the polarizer.
- (3) Use fingerstalls or soft gloves in order to keep display clean during the incoming inspection and assembly process.
- (4) Do not press or scratch the surface harder than a HB pencil lead on the panel because the polarizer is very soft and easily scratched.
- (5) If the surface of the polarizer is dirty, please clean it by some absorbent cotton or soft cloth. Do not use Ketone type materials (ex. Acetone), Ethyl alcohol, Toluene, Ethyl acid or Methyl chloride. It might permanently damage the polarizer due to chemical reaction.
- (6) Wipe off water droplets or oil immediately. Staining and discoloration may occur if they left on panel for a long time.
- (7) If the liquid crystal material leaks from the panel, it should be kept away from the eyes or mouth. In case of contacting with hands, legs or clothes, it must be washed away thoroughly with soap.
- (8) Protect the module from static electricity, it may cause damage to the C-MOS Gate Array IC.
- (9) Do not disassemble the module.
- (10) Do not pull or fold the LED wire.
- (11) Pins of I/F connector should not be touched directly with bare hands.

7.2 STORAGE PRECAUTIONS

- (1) High temperature or humidity may reduce the performance of module. Please store LCD module within the specified storage conditions.
- (2) It is dangerous that moisture come into or contacted the LCD module, because the moisture may damage LCD module when it is operating.
- (3) It may reduce the display quality if the ambient temperature is lower than 10 °C. For example, the response time will become slowly, and the starting voltage of LED will be higher than the room temperature.

7.3 OPERATION PRECAUTIONS

- (1) Do not pull the I/F connector in or out while the module is operating.
- (2) Always follow the correct power on/off sequence when LCD module is connecting and operating. This can prevent the CMOS LSI chips from damage during latch-up.
- (3) The startup voltage of Backlight is approximately 1000 Volts. It may cause electrical shock while assembling with converter. Do not disassemble the module or insert anything into the Backlight unit.



Product Specification	Model:	AWT-1280800T7N01	Rev. No.	Issued Date.	Page.
			A	2012/09/17	25 / 30

Appendix. EDID DATA STRUCTURE

The EDID (Extended Display Identification Data) data formats are to support displays as defined in the VESA Plug & Display and FPDID standards.

Byte # (decimal)	Byte # (hex)	Field Name and Comments	Value (hex)	Value (binary)
0	0	Header	00	00000000
1	1	Header	FF	11111111
2	2	Header	FF	11111111
3	3	Header	FF	11111111
4	4	Header	FF	11111111
5	5	Header	FF	11111111
6	6	Header	FF	11111111
7	7	Header	00	00000000
8	8	EISA ID manufacturer name ("CMO")	0D	00001101
9	9	EISA ID manufacturer name (Compressed ASCII)	AF	10101111
10	0A	ID product code (N070ICG-LD1)	02	00000010
11	0B	ID product code (hex LSB first; N070ICG-LD1)	07	00000111
12	0C	ID S/N (fixed "0")	00	00000000
13	0D	ID S/N (fixed "0")	00	00000000
14	0E	ID S/N (fixed "0")	00	00000000
15	0F	ID S/N (fixed "0")	00	00000000
16	10	Week of manufacture (fixed week code)	0E	00001110
17	11	Year of manufacture (fixed year code)	15	00010101
18	12	EDID structure version # ("1")	01	00000001
19	13	EDID revision # ("3")	03	00000011
20	14	Video I/P definition ("digital")	80	10000000
21	15	Max H image size ("15.0cm")	0F	00001111
22	16	Max V image size ("9.4cm")	09	00001001
23	17	Display Gamma (Gamma = "2.2")	78	01111000
24	18	Feature support ("Active off, RGB Color")	0A	00001010
25	19	Rx1, Rx0, Ry1, Ry0, Gx1, Gx0, Gy1, Gy0	5B	01011011
26	1A	Bx1, Bx0, By1, By0, Wx1, Wx0, Wy1, Wy0	00	00000000
27	1B	Rx=0.591	97	10010111
28	1C	Ry=0.341	57	01010111
29	1D	Gx=0.303	4D	01001101
30	1E	Gy=0.565	90	10010000
31	1F	Bx=0.146	25	00100101
32	20	By=0.117	1E	00011110
33	21	Wx=0.313	50	01010000
34	22	Wy=0.329	54	01010100
35	23	Established timings 1	00	00000000
36	24	Established timings 2	00	00000000
37	25	Manufacturer's reserved timings	00	00000000
38	26	Standard timing ID # 1	01	00000001
39	27	Standard timing ID # 1	01	00000001
40	28	Standard timing ID # 2	01	00000001
41	29	Standard timing ID # 2	01	00000001



Product Specification	Model:	AWT-1280800T7N01	Rev. No. A	Issued Date. 2012/09/17	Page. 26 / 30
-----------------------	--------	------------------	---------------	----------------------------	------------------

42	2A	Standard timing ID # 3	01	00000001
43	2B	Standard timing ID # 3	01	00000001
44	2C	Standard timing ID # 4	01	00000001
45	2D	Standard timing ID # 4	01	00000001
46	2E	Standard timing ID # 5	01	00000001
47	2F	Standard timing ID # 5	01	00000001
48	30	Standard timing ID # 6	01	00000001
49	31	Standard timing ID # 6	01	00000001
50	32	Standard timing ID # 7	01	00000001
51	33	Standard timing ID # 7	01	00000001
52	34	Standard timing ID # 8	01	00000001
53	35	Standard timing ID # 8	01	00000001
54	36	Detailed timing description # 1 Pixel clock ("71.11MHz", According to VESA CVT Rev1.1)	C7	11000111
55	37	# 1 Pixel clock (hex LSB first)	1B	00011011
56	38	# 1 H active ("1280")	00	00000000
57	39	# 1 H blank ("160")	A0	10100000
58	3A	# 1 H active : H blank ("1280 : 160")	50	01010000
59	3B	# 1 V active ("800")	20	00100000
60	3C	# 1 V blank ("23")	17	00010111
61	3D	# 1 V active : V blank ("800:23")	30	00110000
62	3E	# 1 H sync offset ("48")	30	00110000
63	3F	# 1 H sync pulse width ("32")	20	00100000
64	40	# 1 V sync offset : V sync pulse width ("3 : 6")	36	00110110
65	41	# 1 H sync offset : H sync pulse width : V sync offset : V sync width ("48 : 32 : 3 : 6")	00	00000000
66	42	# 1 H image size ("150 mm")	96	10010110
67	43	# 1 V image size ("94 mm")	5E	01011110
68	44	# 1 H image size : V image size ("150 : 94")	00	00000000
69	45	# 1 H boarder ("0")	00	00000000
70	46	# 1 V boarder ("0")	00	00000000
71	47	# 1 Non-interlaced, Normal, no stereo, Separate sync, H/V pol Negatives	18	00011000
72	48	Detailed timing description # 2 Pixel clock ("47.41MHz", According to VESA CVT Rev1.1)	85	10000101
73	49	# 2 Pixel clock (hex LSB first)	12	00010010
74	4A	# 2 H active ("1280")	00	00000000
75	4B	# 2 H blank ("160")	A0	10100000
76	4C	# 2 H active : H blank ("1280 : 160")	50	01010000
77	4D	# 2 V active ("800")	20	00100000
78	4E	# 2 V blank ("23")	17	00010111
79	4F	# 2 V active : V blank ("800:23")	30	00110000
80	50	# 2 H sync offset ("48")	30	00110000
81	51	# 2 H sync pulse width ("32")	20	00100000
82	52	# 2 V sync offset : V sync pulse width ("3 : 6")	36	00110110
83	53	# 2 H sync offset : H sync pulse width : V sync offset : V sync width ("48 : 32 : 3 : 6")	00	00000000
84	54	# 2 H image size ("150 mm")	96	10010110
85	55	# 2 V image size ("94 mm")	5E	01011110



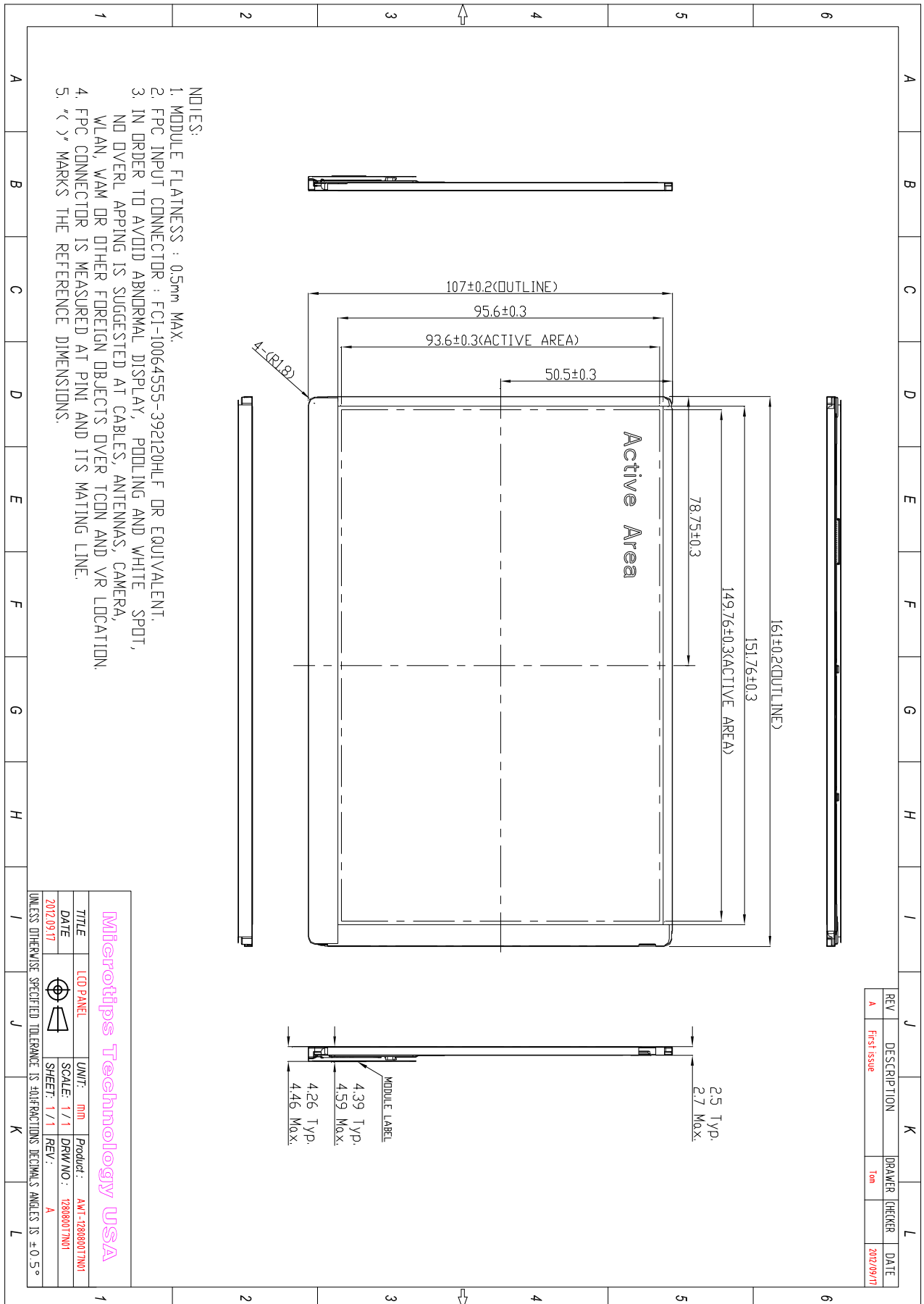
Product Specification	Model:	AWT-1280800T7N01	Rev. No. A	Issued Date. 2012/09/17	Page. 27 / 30
-----------------------	--------	------------------	---------------	----------------------------	------------------

86	56	# 2 H image size : V image size ("150 : 94")	00	00000000
87	57	# 2 H boarder ("0")	00	00000000
88	58	# 2 V boarder ("0")	00	00000000
89	59	# 2 Non-interlaced, Normal, no stereo, Separate sync, H/V pol Negatives	18	00011000
90	5A	Detailed timing description # 3	00	00000000
91	5B	# 3 Flag	00	00000000
92	5C	# 3 Reserved	00	00000000
93	5D	# 3 FE (hex) defines ASCII string (Vendor "CMO", ASCII)	FE	11111110
94	5E	# 3 Flag	00	00000000
95	5F	# 3 1st character of string ("C")	43	01000011
96	60	# 3 2nd character of string ("M")	4D	01001101
97	61	# 3 3rd character of string ("O")	4F	01001111
98	62	# 3 New line character indicates end of ASCII string	0A	00001010
99	63	# 3 Padding with "Blank" character	20	00100000
100	64	# 3 Padding with "Blank" character	20	00100000
101	65	# 3 Padding with "Blank" character	20	00100000
102	66	# 3 Padding with "Blank" character	20	00100000
103	67	# 3 Padding with "Blank" character	20	00100000
104	68	# 3 Padding with "Blank" character	20	00100000
105	69	# 3 Padding with "Blank" character	20	00100000
106	6A	# 3 Padding with "Blank" character	20	00100000
107	6B	# 3 Padding with "Blank" character	20	00100000
108	6C	Detailed timing description # 4	00	00000000
109	6D	# 4 Flag	00	00000000
110	6E	# 4 Reserved	00	00000000
111	6F	# 4 FE (hex) defines ASCII string (Model Name "N070ICG-LD1", ASCII)	FE	11111110
112	70	# 4 Flag	00	00000000
113	71	# 4 1st character of name ("N")	4E	01001110
114	72	# 4 2nd character of name ("0")	30	00110000
115	73	# 4 3rd character of name ("7")	37	00110111
116	74	# 4 4th character of name ("0")	30	00110000
117	75	# 4 5th character of name ("1")	49	01001001
118	76	# 4 6th character of name ("C")	43	01000011
119	77	# 4 7th character of name ("G")	47	01000111
120	78	# 4 8th character of name ("-")	2D	00101101
121	79	# 4 9th character of name ("L")	4C	01001100
122	7A	# 4 Ath character of name ("D")	44	01000100
123	7B	# 4 Bth character of name ("1")	31	00110001
124	7C	# 4 New line character indicates end of ASCII string	0A	00001010
125	7D	# 4 Padding with "Blank" character	20	00100000
126	7E	Extension flag	00	00000000
127	7F	Checksum	C3	11000011



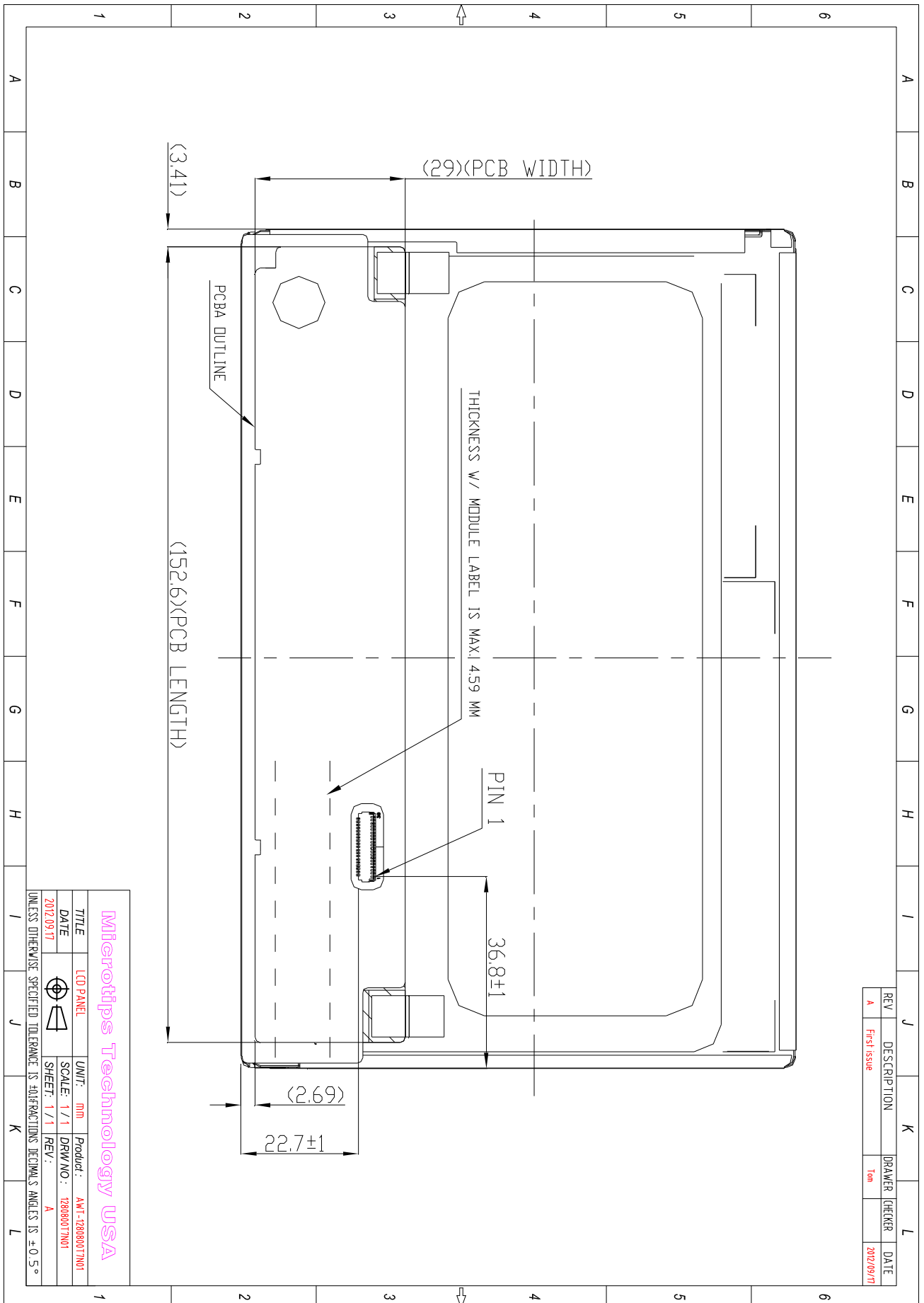
Product Specification	Model:	AWT-1280800T7N01	Rev. No.	Issued Date.	Page.
			A	2012/09/17	28 / 30

Appendix. OUTLINE DRAWING





Product Specification	Model:	AWT-1280800T7N01	Rev. No.	Issued Date.	Page.
			A	2012/09/17	29 / 30



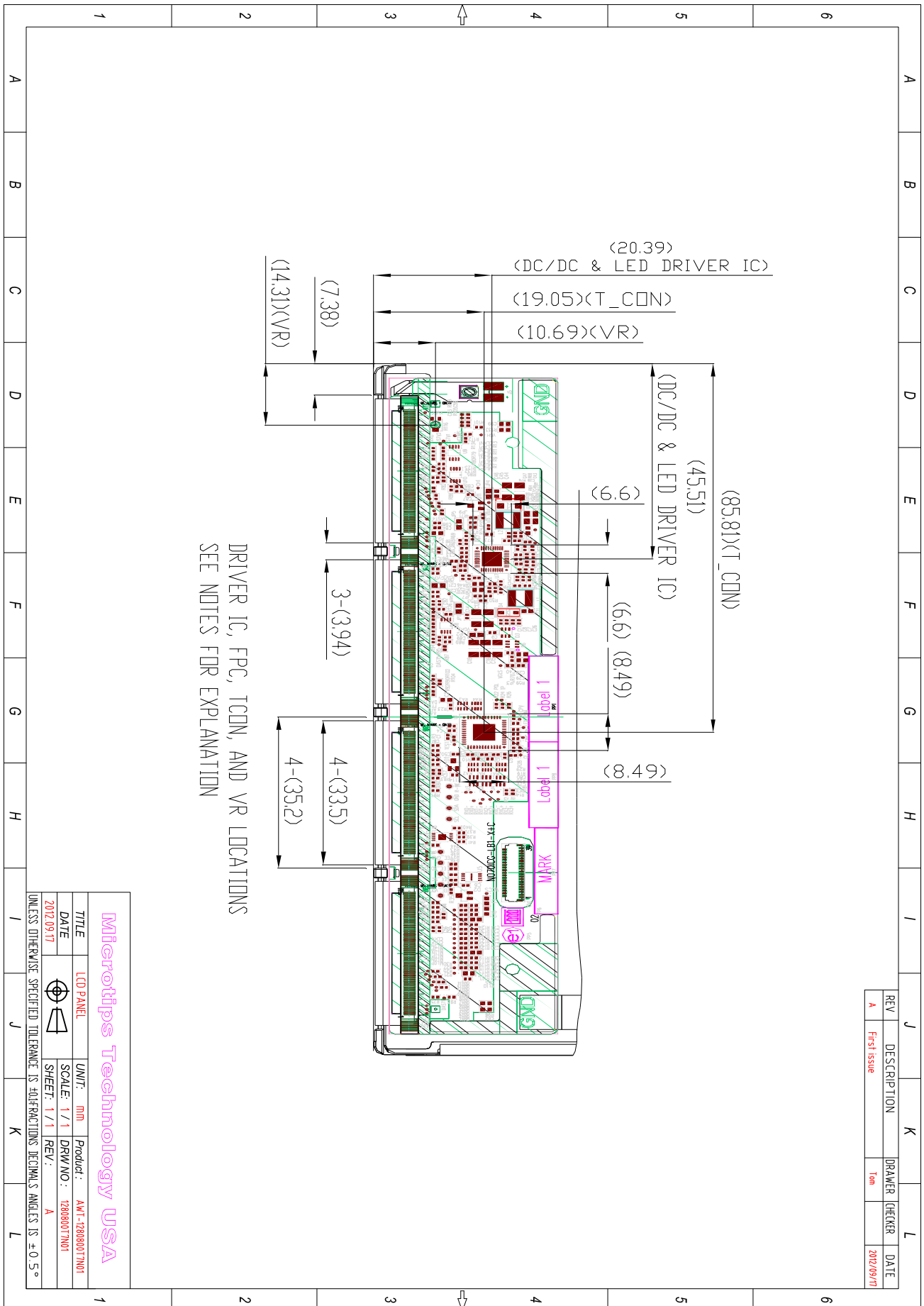
Microtips Technology USA

TITLE	LED PANEL	UNIT:	mm	Product:	AWT-1280800T7N01
DATE	2012 09 17	SCALE:	1 / 1	DRWNO:	7280800T7N01
		SHEET:	1 / 1	REV:	A

REV	DESCRIPTION	DRAWER	CHECKER	DATE
A	First Issue	Tom		2012/09/17



Product Specification	Model:	AWT-1280800T7N01	Rev. No.	Issued Date.	Page.
			A	2012/09/17	30 / 30



DRIVER IC, FPC, TCON, AND VR LOCATIONS
SEE NOTES FOR EXPLANATION

Microtips Technology USA

TITLE	LED PANEL	UNIT:	mm	Product:	AWT-1280800T7N01
DATE	2012 09 17	SCALE:	1 / 1	DRWNO:	7280800T7N01
		SHEET:	1 / 1	REV:	A

UNLESS OTHERWISE SPECIFIED TOLERANCE IS QUADRATIONS DECIMALS ANGLES IS ±0.5°