



CV220X DataSheet

DS-10163-00-01

Copyright

Copyright © 2009 CogniVue Corporation ("CogniVue") All rights reserved.

This document contains information which is proprietary to CogniVue and may be used for non-commercial purposes within your organization in support of CogniVue's products. No other use or transmission of all or any part of this document is permitted without written permission from CogniVue, and must include all copyright and other proprietary notices. Use or transmission of all or any part of this document in violation of any applicable Canadian or other legislation is hereby expressly prohibited.

User obtains no rights in the information or in any product, process, technology or trademark which it includes or describes, and is expressly prohibited from modifying the information or creating derivative works without the express written consent of CogniVue.

Disclaimer

CogniVue assumes no responsibility for the accuracy or completeness of the information presented which is subject to change without notice. In no event will CogniVue be liable for any direct, indirect, special, incidental or consequential damages, including lost profits, lost business or lost data, resulting from the use of or reliance upon the information, whether or not CogniVue has been advised of the possibility of such damages.

Mention of non-CogniVue products or services is for information purposes only and constitutes neither an endorsement nor a recommendation.

Revision History

Version	Details of Change	Author	Date
01	Initial release	Tina Jeffrey	Dec 14, 2009

Table of Contents

1	Introduction.....	8
1.1	CV220X Features	10
1.1.1	CV220X General Features.....	10
1.1.2	Video Processing	10
1.1.3	Digital Still Image Processing.....	11
1.1.4	Audio Processing	12
1.1.5	Graphics	13
1.1.6	Image Sensor Interface.....	13
1.1.7	Display Controller.....	13
1.1.8	USB 2.0 HIGH SPEED Controller	13
1.1.9	Entropy Codec.....	13
1.1.10	Integrated Memory	14
1.1.11	Audio Interface	14
1.1.12	Media Storage Interface.....	14
1.1.13	Serial Interfaces	14
1.1.14	MPEG-2 Transport Stream Interface	14
1.1.15	Smart Card Interface.....	14
1.1.16	Other Interfaces.....	14
1.2	Reference Input Clock	15
1.3	Boot-Up Options	15
1.4	Package	15
1.5	Power Supply	15
1.6	Ambient Operating Temperature	15
2	System Design Considerations	16
2.1	CV220X Boot-Up and Configuration.....	16
2.2	Boot-Up Timeline	18
2.3	Boot Load Modes.....	18
2.4	Low Power Configurations.....	19
2.5	Reset.....	20
3	Hardware Architecture.....	22
3.1	Peripherals.....	23
3.1.1	Sensor Interface.....	23
3.1.2	KeyPad Scan Interface.....	24
3.1.3	System Memory	26
3.1.4	NAND Flash Interface	26

3.1.5	Display Interface Port and TV Output	27
3.1.6	MPEG2 Transport Interface (MP2TS).....	30
3.1.7	USB 2.0 HIGH SPEED.....	31
3.1.8	Smart Card Interface.....	33
3.1.9	Serial Interfaces	34
	3.1.9.1 UART.....	34
	3.1.9.2 SPI.....	35
3.1.10	GPS Interface	36
3.1.11	Audio Interface	37
3.1.12	Media Storage (SD/SDHC)	38
3.1.13	I ² C Interface.....	39
3.1.14	MMCPlus Interface.....	39
3.1.15	External Memory Interface	40
3.1.16	Pulse Width Modulated Outputs.....	42
3.1.17	Power Management Interface	42
3.1.18	GPIOs and Alternate Functions	43
3.1.19	Production Test and System Signals	45
3.1.20	Core and I/O Power.....	46
3.2	PLL and Timing Generation.....	47
4	Packaging.....	48
4.1	CV2201	48
4.2	CV2202	49
4.3	CV2203.....	50
4.4	CV220X Pinout.....	51
5	Electrical Specifications.....	60
5.1	Absolute Maximum Rating.....	60
5.2	Recommended Operating Ranges	60
5.3	DC Characteristics	61
5.4	AC Specifications	62
6	Ordering Information	69

Table of Figures

Figure 1: CV220X Based Personal Media Player/Recorder	9
Figure 2: Boot-Up Sequence Timeline	18
Figure 3: Power-Up Reset Timing Waveform	20
Figure 4: Reset Architecture	21
Figure 5: CV220X Hardware Architecture.....	22
Figure 6: Keyscan System Implementation	25
Figure 7: NAND Flash Connectivity	27
Figure 8: CPU-Type LCD and TV Connected to DIP (Using Internal DAC)	28
Figure 9: DBI to CPU-type Display Waveform Diagram	29
Figure 10: MP2TS Interface Signal Formats.....	31
Figure 11: USB/Host Connectivity.....	32
Figure 12: Smart Card Connectivity	33
Figure 13: GPS Interface	36
Figure 14: Audio Interface.....	37
Figure 15: Media Storage Interface to SD Card.....	39
Figure 16: CV2202 Interface to External Memory.....	41
Figure 17: Crystal Connected to CV220X.....	47
Figure 18: CV2201 Package	48
Figure 19: CV2202 Package	49
Figure 20: CV2203 Package	50
Figure 21: Reset Timing.....	65
Figure 22: Input Clock Timing	65
Figure 23: Sensor Interface Timing.....	65
Figure 24: DIP Port Timing.....	65
Figure 25: SPI Port Timing.....	66
Figure 26: Audio Port Timing	66
Figure 27: SD/MMC Port Timing.....	67
Figure 28: MP2TS Interface Timing	67
Figure 29: I2C Port Timing	67

Figure 30: MMCPlus Port Timing 68

Figure 31: GPS Interface Timing..... 68

Figure 32: PMI Port Timing 68

Table of Tables

Table 2-1: CV220X Boot-Up Configurable Options	17
Table 2-2: Configuring Boot Load Using dip_data[5:3] Pins.....	19
Table 3-1: Sensor Interface External Pinout	24
Table 3-2: Keyscan Interface	25
Table 3-3: CV220X System Memory Configurations	26
Table 3-4: NAND Flash Interface	27
Table 3-5: Display Interface	30
Table 3-6: MP2TS Interface	31
Table 3-7: USB Interface.....	32
Table 3-8: Smart Card Interface.....	34
Table 3-9: UART Interface	35
Table 3-10: SPI Signals	36
Table 3-11: GPS Interface	37
Table 3-12: Audio Interface	38
Table 3-13: Media Storage Interface	39
Table 3-14: I2C Interface	39
Table 3-15: MMCPlus Interface Pinout for CV2201, CV2202.....	40
Table 3-16: CV2202 External Memory Pinout	42
Table 3-17: PWM Function Pinout	42
Table 3-18: PMI Function Pinout.....	43
Table 3-19: GPIOs and Alternate Functions Shared with External Pins	45
Table 3-20: Production Test and System Signals.....	46
Table 3-21: CV220X Power Supply	47
Table 4-1: CV220X Pinout	58
Table 4-2: CV220X Power Pin	59
Table 5-1: CV220X Absolute Maximum Rating	60
Table 5-2: CV220X Recommended Operating Range	61
Table 5-3: CV220X DC Characteristics	62
Table 5-4: CV220X AC Specifications	64

1 Introduction

The CV220X is a family of highly-programmable Image Cognition Processors (ICP) designed to enable programmable imaging and video applications for automotive smart cameras, internet protocol (IP) video surveillance cameras and converged consumer devices such as personal media players (PMP). CogniVue ICPs belonging to the CV220X family are programmable system-on-chip (SoC) devices powered by the APEX™ technology and include:

- CV2201 – Equipped with 128Mbit of stacked Mobile DDR SDRAM in package;
- CV2202 – Capable of interfacing to external DDR SDRAM up to 1Gbit in size;
- CV2203 – System in Package (SiP) with 1Gbit MLC NAND Flash and 128Mbit Mobile DDR SDRAM stacked in package; this device has variants qualified for industrial and automotive standards; automotive qualified parts conform to AEC-Q100;

These ICPs offer high performance programmable platform solutions while providing developers with a low power, extremely flexible device for full-featured imaging and video applications including mobile TV for converged applications such as personal media players (PMPs) and imaging and video analytics for use in smart cameras for ensuring driver safety and enhancing security. These target applications may benefit from the following feature set:

- All video codec standards support D1 resolution at 30fps (see Section 1.1.2 for details)
- Video/audio player with dual MPEG2 Transport Stream interfaces supporting DVB-H/T and ATSC-M/H channels for picture-in-picture
- Digital still image capture supporting sensors up to 12 Mpixels
- TV output (NTSC/PAL) via cable or Bluetooth with TV encoder DAC on chip
- Support for all new algorithms (proprietary or standard) with software changes only
- Picture viewer with image editing options
- Video editing, VOD, Video-Telephony (VT), Multimedia Messaging Service (MMS)
- WM-DRM, OMA-DRM, DivX-DRM ready
- Support for compute-intensive multi-tasking operations such as handling video ring tone while watching DVB-H/T PIP
- Video editing
- Transcoding
- Integrated security and cryptographic support features for digital rights, content protection and subscription services
- Multiple power domains allow for low power operation

- USB 2.0 High Speed interface including PHY on chip
- SD/SDHC, MMC Plus and NAND flash interface
- Small form factor for stacked or external memory

Figure 1 shows a typical configuration of the CV220X ICP.

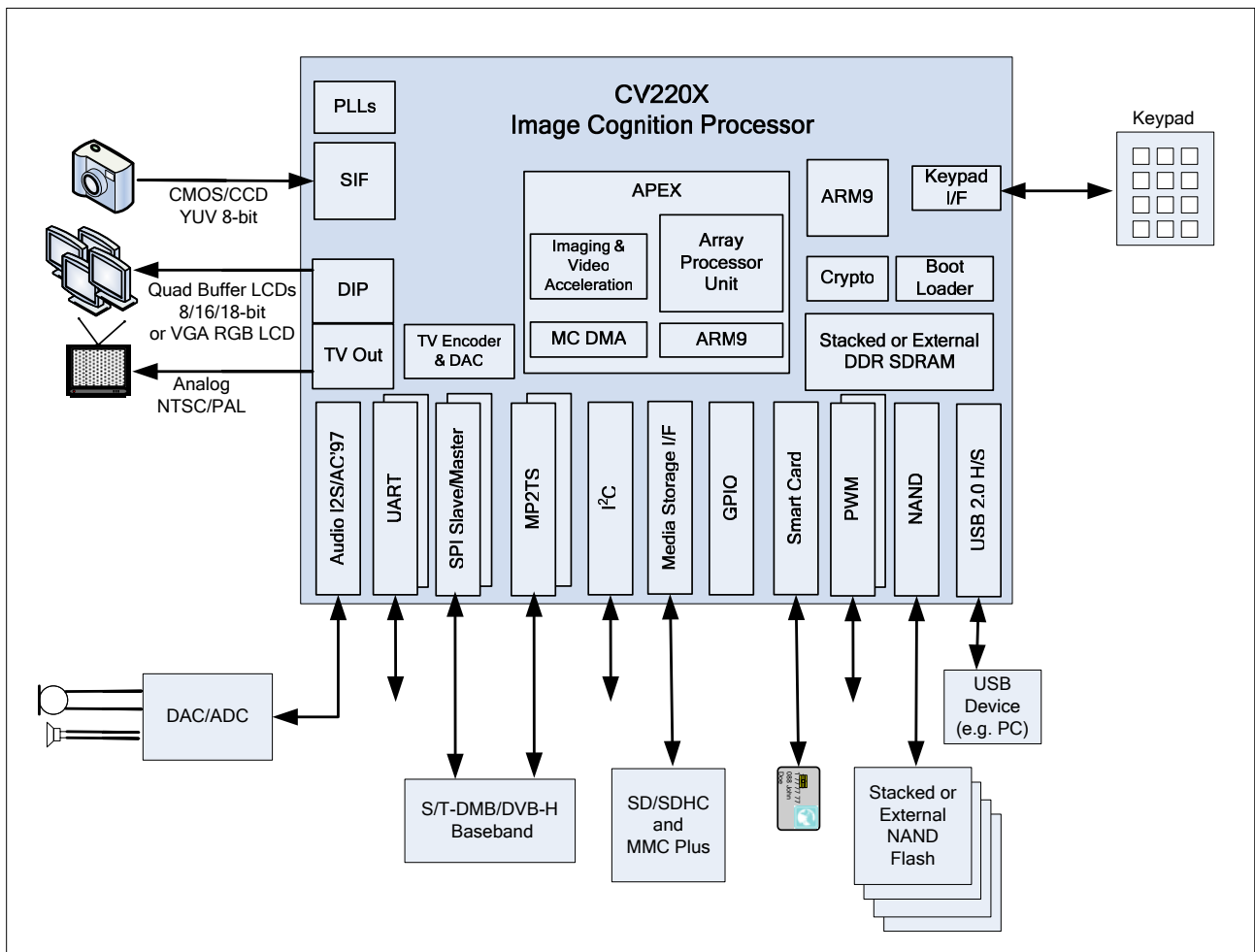


Figure 1: CV220X Based Personal Media Player/Recorder

1.1 CV220X Features

1.1.1 CV220X General Features

- Dual ARM926EJ-S™ RISC processor each with 16 kB I-cache and 16 kB D-cache
- High performance APEX™ DSP Sub-System technology based on patented SIMD parallel processing architecture
- Integrated Jazelle Java hardware accelerator
- Integrated USB 2.0 High Speed Controller
- Sensor Interface supports 10-bit YUV datapath providing up to 12 Mpixel resolution
- Integrated image enhancement functions in Sensor Interface
- Dual MP2TS interfaces for use with mobile TV applications
- Multiple power domains and voltage islands to support low power modes
- DMA Controller for memory-to-memory, memory-to-peripheral, peripheral-to-memory, and peripheral-to-peripheral data transfer
- Digital output supporting up to 24 bits with external video DAC
- Integrated 10-bit DAC for analog composite video output to TV
- Dual LCD module
- Data security and pay-per-view features:
 - Hardware acceleration for OMA-2 cryptographic operations
 - Secure boot mode
- Smart Card Interface
- SD/SDHC Interface
- MMC Plus Interface
- NAND Flash Interface

1.1.2 Video Processing

- Fully-programmable Array Processor for running video processing algorithms
- Video codecs support diverse resolutions at 30fps with 4 Mbps maximum bitrate
- Supports wide cam (768 x 432) encoding at 30fps

- Supports slow motion (eg. 1/5th at 30fps)
- Supported video decoding standards:
 - MPEG-4 Simple Profile and Advanced Simple Profile supports D1 at 30fps
 - H.263 Baseline, Profile 3 supports D1 at 30fps
 - DivX (v5.0/6.0) with DRM supports D1 at 30fps
 - XviD supports D1 at 30fps
 - MPEG2 support D1 at 30fps
 - WMV (VC-1) with DRM supports D1 at 30fps
 - H.264 supports D1 at 30fps
 - RV supports D1 at 30fps
 - RMVB supports D1 at 30fps
 - VP6 supports D1 at 30fps
- Supported video encoding standards:
 - MPEG-4 Simple Profile supports D1 at 30fps or QVGA at 120fps
 - H.263 Baseline Profile supports D1 at 30fps
 - DiVX/XviD avi support D1 at 30fps
- All new codec standards may be supported with SW change only
- Supports video streaming and progressive download
- Supports full motion estimation and variable pixel search region
- Supports constant and variable bit rate (CBR and VBR)
- Real-time viewfinder on LCD and TV with scaling, rotation, mirroring and flipping transformations
- Supports special effects: black and white, sepia, negative, cool, hot, sketch, emboss and others

1.1.3 Digital Still Image Processing

- Captures still images up to 12 Mpixels using image sensor with ISP
- Supports image processing and editing
- Compression and decompression in accordance with ISO/IEC 10918 JPEG standard

- Supports JPEG capture on-the-fly
- Support for common decompression standards: TIFF, GIF, PNG and WBMP
- Supports Exchangeable Image File (EXIF) format
- Programmable quantization and Huffman tables and high, medium and low compression quality settings
- Real-time viewfinder on LCD and TV with scaling, rotation, mirroring and flipping transformations
- Supports special effects: B&W, sepia, negative, cool, hot, sketch, emboss and others
- Image scaling and window of interest
- Supports continuous digital zoom (including true upscaling) up to 2X
- Supports decorative frame overlay and photo captioning
- Thumbnail browser and file management

1.1.4 Audio Processing

- Audio encoding compliant with the following standards: AAC, MP3, AMR-NB, G.723.1, WAV
- Audio decoding compliant with the following standards: AAC, AAC+, EAAC+, MP3, BSAC, WMA, WMA10 Pro, RA, AMR-NB, AMR-WB, G.723.1, WAV, OGG
- Supports MTP and music player DB
- All other codec standards may be supported with SW change only
- MIDI synthesis of up to 128 voices at 48 kHz for Melody Ring Tones supporting wide range of MIDI files including:
 - .mid MIDI file format
 - .rtx extended ringtone format
 - .sms SMS ringtone
 - .xmf extensible music format (MIDI + digitally recorded music)
 - .mxmf mobile version of .xmf
 - .mmf SMAF ringtone format
 - .rmf rich music format
 - .imy iMelody ringtone format

- Directly connects to I2S or AC97 compliant audio device

1.1.5 Graphics

- True-colour (24 bits per pixel) processing
- 2D graphics functions including: BitBLT, solid fill, overlay, pixel-based alpha-blending, rotation, scaling, colour space conversion, colour depth expansion and reduction

1.1.6 Image Sensor Interface

- Supports YUV up to 12 Mpixels, 10-bit parallel interface
- Supports scale-down (vertical and horizontal)
- Performs image enhancement functions including: edge, image, grey scale, sepia, negative, emboss and sketch

1.1.7 Display Controller

- Supports up to four CPU-like devices (for example dual 8/9/16/18-bit LCD modules and two other devices with CPU-like interfaces) concurrently with TV Out, or support RGB-24 master timing interface up to XGA resolution
- ITU-R 601/656 compatible digital video output
- On-chip composite video encoder compatible with PAL/NTSC/NTSC-Japan video modulation standards
- Integrated high quality 10-bit video DAC for direct connection to TV

1.1.8 USB 2.0 HIGH SPEED Controller

- USB 2.0 HIGH SPEED compliant
- USB 2.0 PHY integrated on-chip
- Supports mass storage device

1.1.9 Entropy Codec

- Hardware accelerated entropy encoding (MPEG-4, H.263, JPEG) and decoding (MPEG-4, H.263, DivX, VC-1, H.264, RV) blocks
- Programmable Huffman tables and zigzag modes
- Embedded Bit Packing and Unpacking Blocks for automated file/video stream generation
- Direct connection with Array Processor for efficient data transfer

1.1.10 Integrated Memory

- CV2201 has 128 Mbit DDR SDRAM integrated in package
- CV2202 has no internal memory but is capable of interfacing to external SDRAM up to 1Gbit in size
- CV2203 has 128 Mbit DDR SDRAM and 1Gbit NAND flash integrated in package

1.1.11 Audio Interface

- I2S and AC97 compliant Audio Interface

1.1.12 Media Storage Interface

- Supports SD/SDHC removable memory cards
- Supports MMC Plus memory card
- Supports 8-bit NAND flash devices
- Supports FAT-16 and FAT-32 file system with long name support and international characters

1.1.13 Serial Interfaces

- Two UART interfaces and two SPIs

1.1.14 MPEG-2 Transport Stream Interface

- Dual interfaces to DMB baseband to receive MPEG2 transport streams

1.1.15 Smart Card Interface

- Complies with integrated circuit card specifications: ISO/IEC 7816-3 amendment I (2002-06-01); ISO/IEC 7816-10; EMV Book 1 Version 4.1 (2004-05-01)

1.1.16 Other Interfaces

- General purpose I/O (GPIO) – selectable as alternative functions for various interface pins
- Two PWM (Pulse width modulated) outputs with programmable frequency and duty cycle
- JTAG test and debugging interface for ARMs

1.2 Reference Input Clock

- Programmable internal clock frequencies
- Input clocks:
 - 10-30 MHz
 - 5 on-chip PLLs generate clocks for system, array processor, display interface, other interfaces and memory
- Clocks supplied by either a crystal or oscillator

1.3 Boot-Up Options

- Code resident in NAND flash accessible via SPI or NAND interface

1.4 Package

- CV2201 is available in a 9 x 9mm BGA package, with 236 balls
- CV2202 is available in a 10 x 10mm BGA package with 296 balls
- CV2203 is available in a 10 x 10 mm BGA package, with 196 balls

1.5 Power Supply

- 1.0 V core and 1.8/2.8 V I/O power
- 1.8V memory power supply
- 3.0 V PLL power supply
- 3.3 V supplies for USB and internal DAC
- Multiple power domain within the core for power management

1.6 Ambient Operating Temperature

- CV2201 and CV2202 operate between -40°C to +85°C
- CV2203 industrial qualified parts operate between -40°C to +85°C; CV2203 automotive qualified parts operate between -40°C to +125°C

2 System Design Considerations

2.1 CV220X Boot-Up and Configuration

When the ASIC is removed from reset there are a number of activities that must occur before the hardware (and the external memory) is ready for software use. The following must occur:

1. The internal clocks and PLLs have to be configured and locked to the default clock frequencies.
2. The external memory controller must be configured appropriately.
3. DDR SDRAM initialization must occur.

All of this activity has associated with it some configurable aspects. This configurability is communicated to the boot-up hardware through power-up default settings.

To configure the boot-up configurable parameters, a subset of the dip data bus pins (dip_D) are sampled when reset is de-asserted and pull-up/pull-down resistors are used to set the various configurations. The dip_D pins are tri-stated by default and this allows the pull-up and pull-down values to be sampled.

The following table describes the configurable options.

Configurable Feature	dip_D Pins (default)	Operation
Enables full-on power domain usage by default	dip_D[7] (PD)	0 = the "full on" power domain will NOT be powered by default. 1 = the "full on" power domain will be powered by default.
Enable ECC checking for NAND flash booting	dip_D[6] (PD)	0 = disabled 1 = enabled
Boot Loader Mode. See section 2.3 for a more detailed description on boot load modes of operation.	dip_D[5-3] (PD,PU,PD)	000 = this mode used for debug only 001 = code loaded via SPI port from a generic serial flash 011 = code loaded via SPI port from an ATMEL Dataflash memory 010 = RESERVED 100 = code loaded from NAND flash
Selects memory controller clocking configuration	dip_D[2] (PD)	0 = async mode The memory PLL is the clock source for the memory controller. 1 = RESERVED

Configurable Feature	dip_D Pins (default)	Operation
PLL configuration. This indicates what configuration (NF,NR,NO and range) to apply to the AP and system PLL so that the internal clocks are 96Mhz.	dip_D[1-0] (PU,PD)	00 – input clk = 13Mhz 01 – input clk = 19.2Mhz 10 – input clk = 24Mhz 11 – input clk = 27Mhz

Table 2-1: CV220X Boot-Up Configurable Options

The bootup process can be regular or “secure” for CV2201 and CV2202 parts. The setting of the “hw_deep_secure” pin controls which booting method is used. Only the regular boot process applies to the CV2203 device.

- hw_deep_secure = 0 : regular boot process is used
- hw_deep_secure = 1 : secure boot process is used

For the secure boot method, the binary image is run through the crypto block to produce a signature. A comparing signature is appended to the end of the download image and the bootloader checks the generated image against this downloaded value. If a mismatch occurs, the ARM remains in reset.

Also during secure boot, ARM JTAG access is blocked (no debugger access). Access may be reclaimed by software after the ARM has been removed from reset (i.e. after the downloaded binary image has been verified as valid).

2.2 Boot-Up Timeline

The following timeline illustrates events that occur during a successful boot sequence. The internal configuration and software binary image must be resident in the SPI device or NAND flash prior to initiating the boot-up sequence.

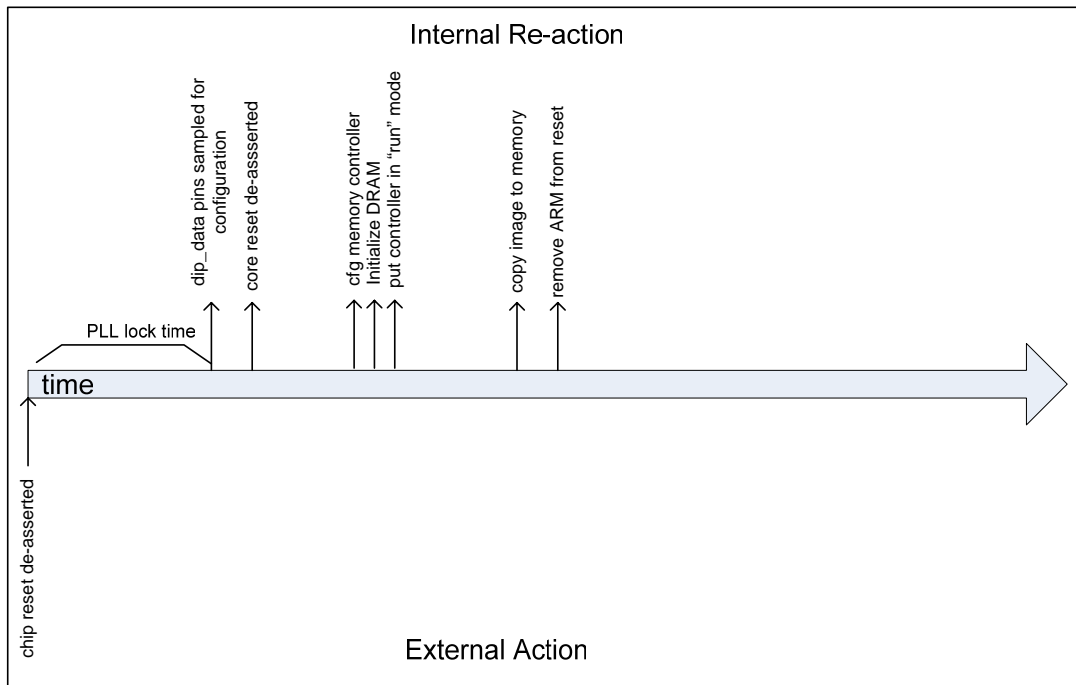


Figure 2: Boot-Up Sequence Timeline

It is possible to skip some steps in the boot-up sequence. For instance, if the software image was previously downloaded and the DRAM was put into self refresh mode, then the DRAM initialization and code download steps would not be necessary.

The two interfaces that may be used to “boot” the ASIC are:

- SPI interface – booted using either the ATMEL dataflash or industry standard serial flash
- NAND Flash interface – booted from industry standard NAND Flash. The NAND flash must be a large block (2K) and must support a dual read command (read command=0x0 followed by a confirm read command=0x30)

2.3 Boot Load Modes

The hardware boot loader block facilitates code loading from different external interfaces.

The external interface gets data from an external device and the boot loader block moves the data from the receive FIFO to either external memory or CMEM.

While the Boot Loader is operating, the ARM is held in reset so that it does not start executing code until the complete program store is in place. When the byte counter expires, indicating all code has been copied, the boot loader indicates to the reset block that the ARM can be removed from reset.

Possible boot loader configurations, as specified by the downloaded configuration information, are identified in the table below.

dip_data[5:3]	Description
000	This setting will not invoke the boot loader and the ARM will be removed from reset immediately. This is a debug mode of operation. Code must be written to memory through some other means (ie. JTAG Port).
011	Code is resident in a serial NAND flash connected to the SPI port. The serial Flash Memory is an ATMEL DataFlash memory that supports the “continuous array read” command (0xe8).
001	Code is resident in a serial NAND flash connected to the SPI port. The serial Flash Memory is an industry standard memory that supports the “read data bytes” command (0x03).
010	THIS SETTING IS RESERVED AND SHOULD NOT BE USED.;
100	Code is resident in NAND flash. The NAND flash block read sequence is: <ol style="list-style-type: none"> a. After reset is de-asserted, the bootloader will issue a “reset” command (“FF”) followed by a 25 usec delay. b. The boot loader then issues the page read command (“00”) and 5 bytes of address (all “0”). This is followed by a read confirm command (“30”). c. Before proceeding further, a 50usec delay occurs. d. A 2Kbyte page is then read. If ECC is enabled four 512byte page reads are issued.

Table 2-2: Configuring Boot Load Using dip_data[5:3] Pins

If booting from NAND Flash, there is an optional ECC checking mode that may be enabled via a software register. If ECC checking is enabled, the boot_loader checks for errors after a block is read from the device. Upon error detection, the boot loader keeps the ARM in reset.

2.4 Low Power Configurations

Some system operating modes require limited CV220X functionality in which case the ICP may operate in a low power mode. The CV220X is comprised of multiple voltage islands that enable various low power configuration scenarios. The voltage islands are intended to be activated in a cumulative manner based on the particular functionality required. The power configurations are listed below. The list is organized with the least functionality and power first, followed by increasing functionality and power.

1. Low Power Audio/Video – This mode adds to the low power passthrough mode appropriate circuitry for low power MP3 decoding as well as some display functionality.
2. Full-on Power – This mode activates the rest of the CV220X functionality.

The low power mode is achieved by disconnecting the core power. This mode removes any power drain associated with core leakage.

In addition to the modes listed above, the CV220X is designed in such a way that each block may individually have its clock gated under software control. This provides a mechanism to lower power consumption for an application that does not require functionality from all blocks. Also many of the blocks have a hardware controlled mechanism that allows each block to gate its own clock when it is idle and remove the clock gating when activity resumes. This mechanism may be disabled by software if desired.

2.5 Reset

The internal reset architecture is controlled by an external reset pin and also by software initiated reset requests.

The external reset pin, when asserted, keeps the entire chip in a reset state. After the power supply voltages have stabilized, the external reset must remain asserted for 1 μ sec. After the external reset is removed, the timing generation block is removed from reset and starts a timer to time the PLL lock interval. The timing generation block keeps the rest of the chip in reset until this interval has expired and the clocks are stable. Figure 3 illustrates the time line of events that occur within the chip when the external reset is de-asserted.

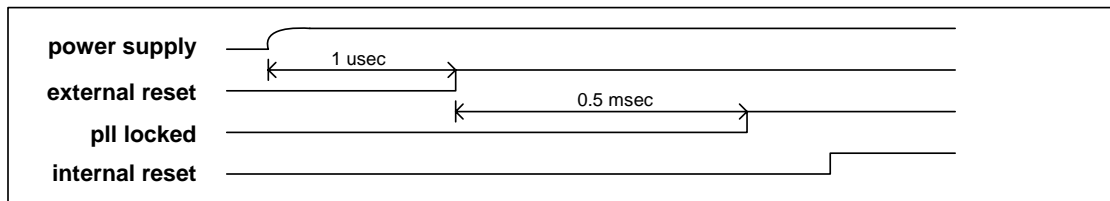


Figure 3: Power-Up Reset Timing Waveform

Figure 4 shows the internal reset architecture.

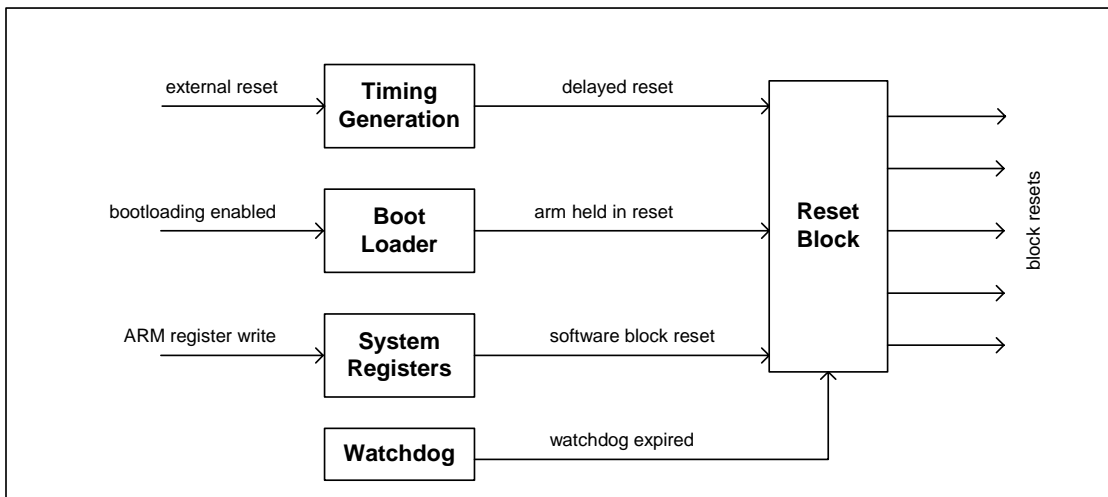


Figure 4: Reset Architecture

3 Hardware Architecture

Figure 5 shows the CV220X hardware block diagram.

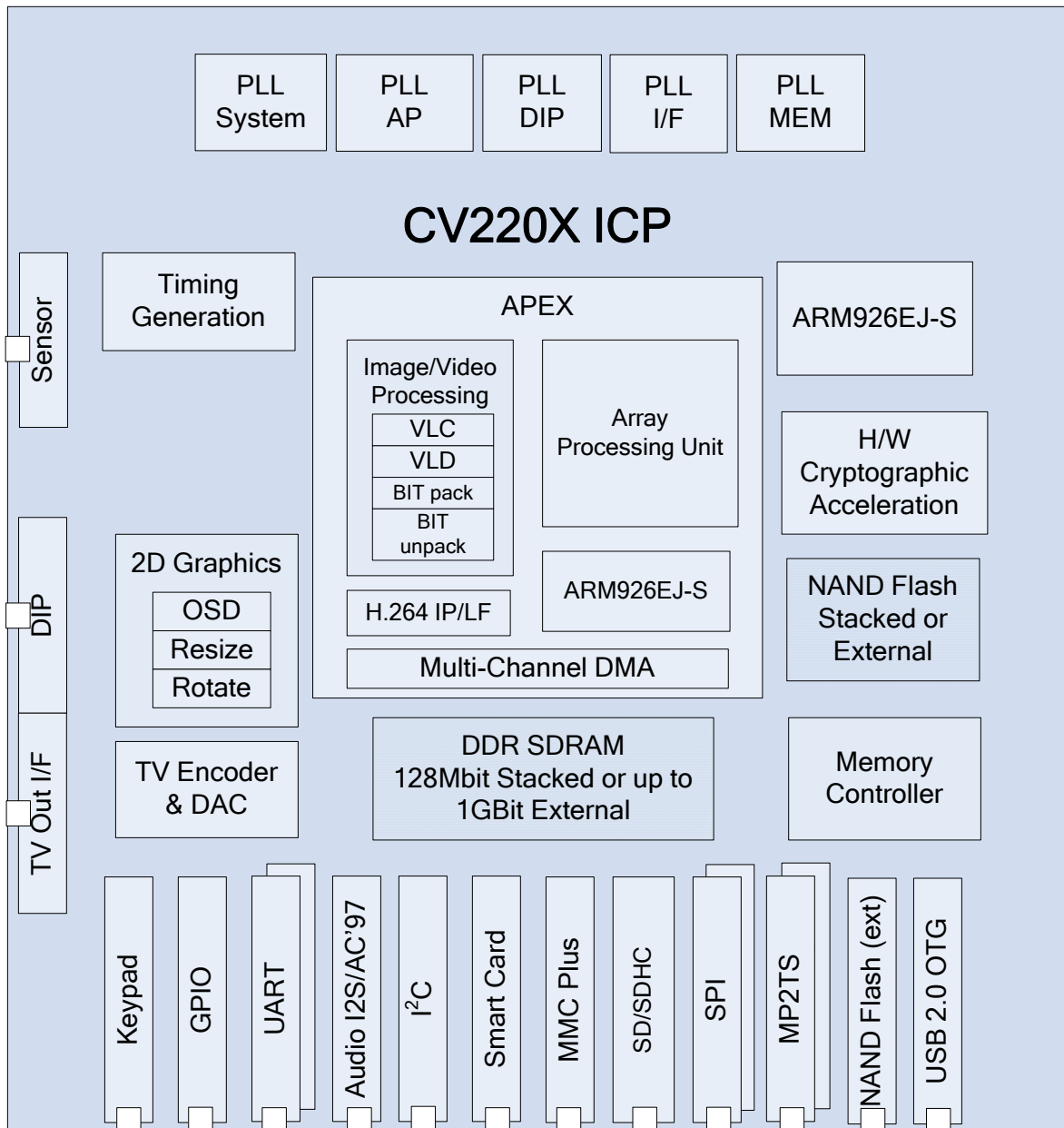


Figure 5: CV220X Hardware Architecture

3.1 Peripherals

The following subsections provide physical information for each of the peripherals. Figures show the connectivity between the CV220X Image Cognition Processor and peripherals. Tables list the CV220X pin information corresponding to each peripheral interface.

3.1.1 Sensor Interface

The Sensor Interface receives data from one of two sources – the external sensor or from memory. Supported formats of input data from the sensor are:

- YUV422 stream
- encoded JPEG

Supported formats of input data from memory are:

- YUV422 Stream
- YUV420 Planar

Note that the Sensor Interface block may be programmed to accept YUV422 data in UYVY, YUYV, VYUY and YVYU formats. Input image sizes up to 12 Mpixels are supported at clock frequencies up to 160MHz.

Output image formats supported by the Sensor Interface block are:

- YUV422 Stream
- YUV 420 Planar
- RGB 565
- Encoded JPEG

The Sensor Interface also provides the following functionality:

- scale down:
 - average mode scaling by: 1, 1/2, 1/4 and 1/8
 - decimation mode scaling by : horizontal and vertical decimation
- adaptive luminance using histogram table build or gamma correction
- image effects:
 - edge enhancement
 - image smoothing using a LPF with 9 taps for luminance and 5 taps for chrominance coefficients

- grey scale
 - sepia
 - negative
 - emboss
 - sketch
- WOI (window of interest) used for cropping the input image

Table 3-1 lists the CV220X external pinout of the Sensor Interface.

Signal	Alternate Function	Pin Direction	Pin Description
sensor_D[9:0]	-	Input	Sensor data
sensor_pclk	-	Input	Sensor pixel clock
sensor_rclk	-	Input	Sensor horizontal sync signal
sensor_fclk	-	Input	Sensor vertical sync signal
sensor_clkout	gpio[1]	Bi-dir.	Sensor source clock or alternate function
sensor_fodd	gpio[52]	Bi-dir.	Field (odd, even) or alternate function
sensor_gpio	gpio[53]	Bi-dir.	Sensor GPIO or alternate function

Table 3-1: Sensor Interface External Pinout

3.1.2 Keypad Scan Interface

The CV220X has an optional keyscan capability. The keyscan processor has four output scan ports and four input scan ports to allow recognition of up to 16 keys.

The Keyscan Interface provides the following features:

- Programmable key scan and sense polarity
- Programmable scan time
- Programmable scan matrix
- Auto clearing of the sense value after it has been read
- Supports typing mode and gaming mode

Figure 6 shows the keyscan system implementation.

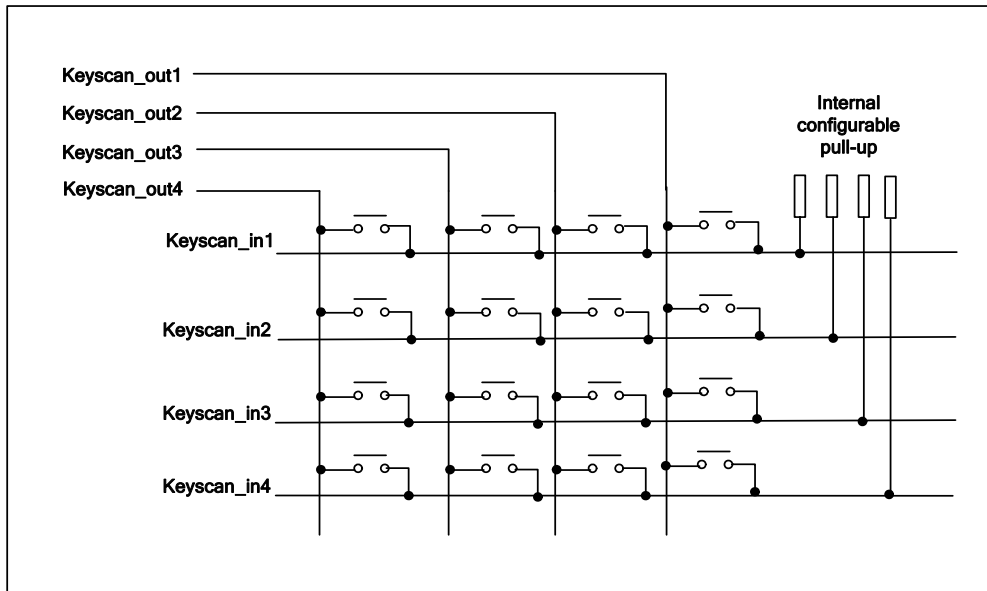


Figure 6: Keyscan System Implementation

Table 3-2 lists the CV220X pin information for the Keyscan Interface. To enable the keyscan interface, the Alternate Function register must be programmed accordingly.

Signal	Keyscan Function	Pin Direction	Pin Description
reserved_14	gpio[45] or keyscan_out3	Bi-dir.	GPIO or alternate function
reserved_13	gpio[44] or keyscan_out2	Bi-dir.	GPIO or alternate function
reserved_12	gpio[43] or keyscan_out1	Bi-dir.	GPIO or alternate function
reserved_11	gpio[42] or keyscan_out0	Bi-dir.	GPIO or alternate function
reserved_10	gpio[41] or keyscan_in3	Bi-dir.	GPIO or alternate function
reserved_9	gpio[40] or keyscan_in2	Bi-dir.	GPIO or alternate function
reserved_8	gpio[39] or keyscan_in1	Bi-dir.	GPIO or alternate function
reserved_7	gpio[38] or keyscan_in0	Bi-dir.	GPIO or alternate function

Table 3-2: Keyscan Interface

3.1.3 System Memory

System memory is either integrated on board, or available externally. System memory configurations for the devices belonging to the CV220X family of ICPs are shown in the table below.

Product	Memory
CV2201	128Mbit Stacked Mobile DDR SDRAM
CV2202	Interface to external DDR SDRAM up to 1Gbit in size; compatible with DRAM with 13 address bits;
CV2203	128Mbit stacked Mobile DDR SDRAM;

Table 3-3: CV220X System Memory Configurations

3.1.4 NAND Flash Interface

The CV2201 and CV2202 products have a NAND flash interface for connectivity to an external NAND flash device. The CV2203 device has a 1Gbit NAND flash stacked on chip and therefore no external interface connectivity is provided with the exception of a write protect pin. The following list details specific NAND flash features:

- 8-bit datapath
- Software configurable external control signal timing
- Incoming and outgoing datapath implemented using FIFOs
- Software controlled command and page address
- Read/Write datapath that bypasses the FIFO and allows direct access
- Configurable page size
- NAND flash read and write algorithms are software driven
- Optional hardware ECC support; a simple ECC (1bit correct, 2 bit detect) as well as a Reed Solomon ECC algorithm (4 bit correct)
- Supports up to 4 external chip selects

Figure 7 shows the connection between the CV2201 or CV2202 and a typical external NAND flash device. It should be noted that the 'ry_by' signal is not a dedicated pin on the CV2201 or CV2202. Instead this connection, required for command status, is made to a GPIO. Alternatively, a software managed polling routing may be used to determine when various commands are completed.

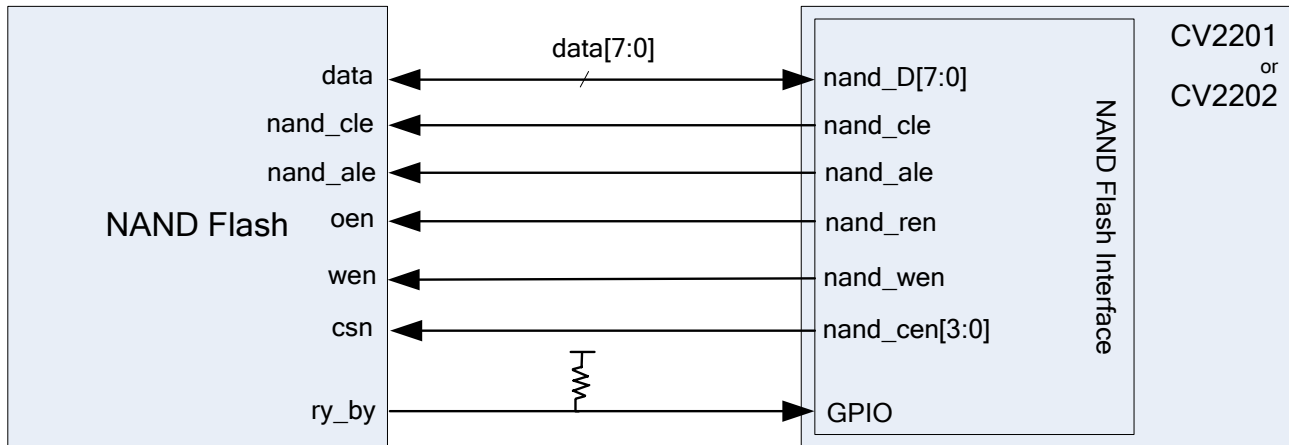


Figure 7: NAND Flash Connectivity

Table 3-4 lists pin information for CV2201 and CV2202 NAND Flash Interface.

Signal	Alternate Function	Pin Direction	Pin Description
nand_D[7:0]	gpio[81:74] or mmcplus_data[7:0]	Bi-dir.	NAND data bus or alternate function
nand_cle	gpio[11]	Bi-dir.	Command latch enable or alternate function
nand_ale	gpio[10]	Bi-dir.	Address latch enable or alternate function
nand_cen[0]	gpio[12] or mmcplus_clk	Bi-dir.	Chip select or alternate function
nand_cen[1]	gpio[70] or mmcplus_cmd	Bi-dir.	Chip select or alternate function
nand_cen[2]	gpio[71] or spi_Rxd1	Bi-dir.	Chip select or alternate function
nand_cen[3]	gpio[72] or spi_Rxd2	Bi-dir.	Chip select or alternate function
nand_ren	gpio[14]	Bi-dir.	Read enable or alternate function
nand_wen	gpio[13]	Bi-dir.	Write enable or alternate function
wp_N	-	Input	Active low this signal provides hardware protection against unwanted program or erase options for the stacked NAND Flash device CV2203.

Table 3-4: NAND Flash Interface

3.1.5 Display Interface Port and TV Output

The Display Interface Port (DIP) interfaces the CV2201 or CV2202 to an external video/display device such as an LCD or a television. Note that the CV2203 device does not interface to an LCD, but like the CV2201 and CV2202, this part does include a TV Out interface for direct connectivity to a television.

The external display controller in the CV2201 and CV2202 devices may be an RGB LCD and four CPU-like interface devices (MIPI/non-MIPI compliant).

The DIP has the following features:

- Picture-in-picture achieved through DMA descriptor fetching of appropriate image data
- Color format resizing (RGB24 -> RGB666/RGB565; RGB666->RGB24/RGB565; RGB565->RGB24/RGB666, YUV422->YUV444)
- Display Bus Interface (DBI): Drives an LCD, LCD Controller or CPU-type interface. Four chip selects are available to support up to four devices including any combination of LCD Controllers and/or other devices with CPU-type interfaces.
- Timing Interface: Drives an external video device (RGB LCD) with hsync/vsync/blank signals; when this mode is enabled, no CPU-LCD devices may be used. This interface supports up to XGA resolution.
- TV Interface: This analog interface derives timing information from an internal NTSC/PAL video encoder to drive video data at correct intervals. Maximum resolution supported is 640x480 (VGA).

Figure 8 shows a configuration with dual LCDs and a TV connection to the DIP. In this case, the internal CV220X video encoder and DAC are used to derive the analog TV signal.

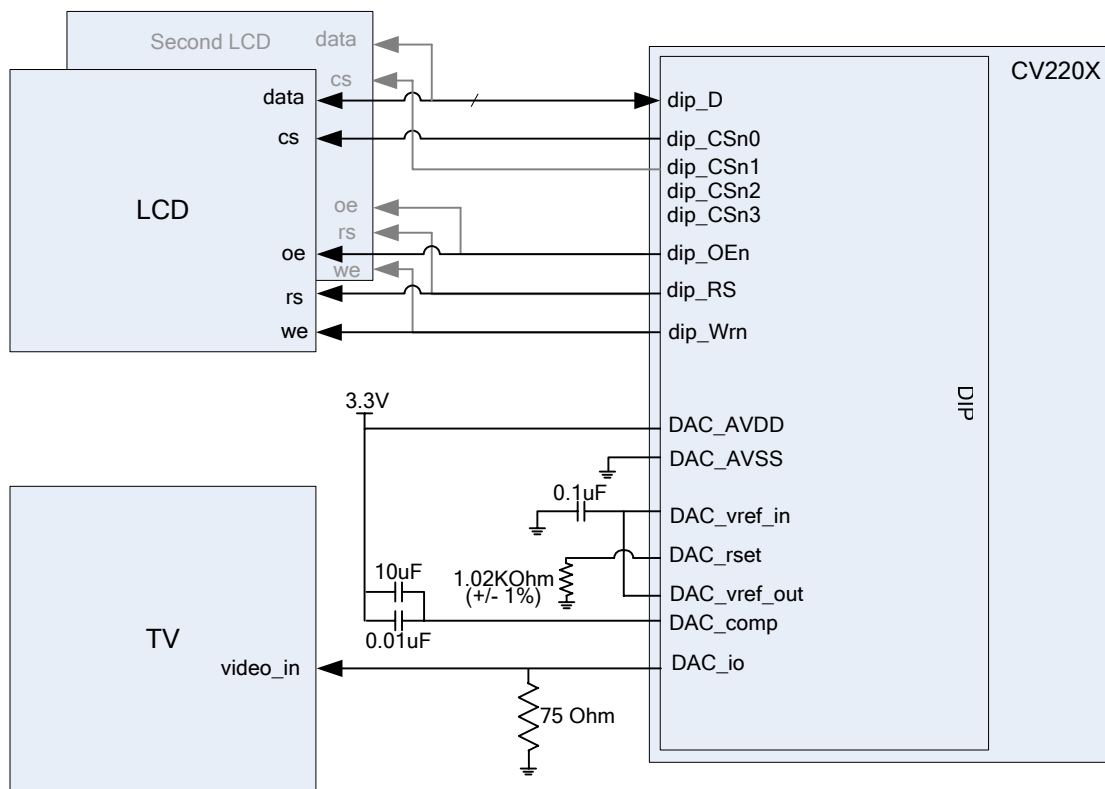


Figure 8: CPU-Type LCD and TV Connected to DIP (Using Internal DAC)

The figure below illustrates timing for DBI connectivity to a CPU-type interface.

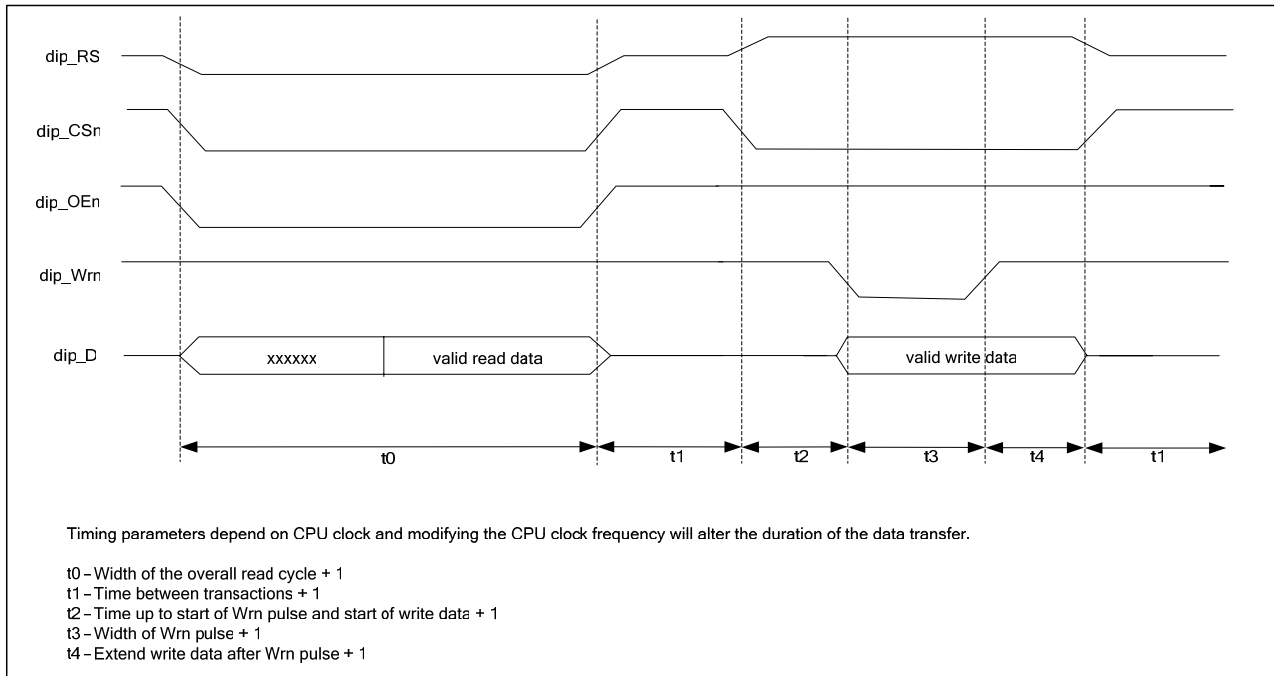


Figure 9: DBI to CPU-type Display Waveform Diagram

Table 3-5 lists the CV2201 and CV2202 pin information for the DIP. The DAC signals correspond to the TV Output feature available for all CV220X products.

CV2201, CV2202 Signal	Alternate Function	Pin Direction	Pin Description
dip_D[23]	gpio[51] or uart1_txd	Bi-dir.	Digital video data or alternate function
dip_D[22]	gpio[50] or uart1_rxd	Bi-dir.	Digital video data or alternate function
dip_D[21]	gpio[49]	Bi-dir.	Digital video data or alternate function
dip_D[20]	gpio[48]	Bi-dir.	Digital video data or alternate function
dip_D[19]	gpio[47]	Bi-dir.	Digital video data or alternate function
dip_D[18]	gpio[46]	Bi-dir.	Digital video data or alternate function
dip_D[17]	gpio[3] or scl_sec	Bi-dir.	Digital video data or alternate function
dip_D[16]	gpio[4] or sda_sec	Bi-dir.	Digital video data or alternate function
dip_D[15:0] ⁽¹⁾	-	Bi-dir.	Digital video data bus
dip_pclk	gpio[5]	Bi-dir.	Digital video pixel clock or alternate function

CV2201, CV2202 Signal	Alternate Function	Pin Direction	Pin Description
dip_OEn	gpio[15] or dip_blank	Bi-dir.	Digital video output enable or alternate function
dip_RS	dip_hsync	Output	Digital video register select or alternate function
dip_Wrn	dip_vsync	Output	Digital video write enable or alternate function
dip_CSn0	-	Output	Digital video chip select 0
dip_CSn1	-	Output	Digital video chip select 1
dip_CSn2	gpio[24]	Bi-dir.	Digital video chip select 2 or alternate function
dip_CSn3	gpio[25]	Bi-dir.	Digital video chip select 3 or alternate function
dip_cpu_vsync	gpio[54]	Bi-dir.	External synchronization frame pulse or alternate function
CV220X Signal	Alternate Function	Pin Direction	Pin Description
DAC_comp	-	Analog Output	Analog output of the DAC; signal can drive 1.0 Vpp on 75 ohm load
DAC_vref_out	-	Analog Output	Voltage reference output. This output delivers 1.140V reference voltage from cell. It is normally connected to the VREFIN pin.
DAC_rset	-	Analog In/Out	An external resistor Rset connecting DAC_rset pin to AVSS adjusts the magnitude of the DAC full-scale output current. Recommended setting is 1.02KOhm with 1% tolerance.
DAC_vref_in	-	Analog Input	Reference voltage input. It is suggested to place 0.1uF ceramic capacitor between this pin and AVSS pin externally.
DAC_io	-	Analog Output	Analog output pin (with drive strength) to which a resistor and capacitor is attached to ground to set the output current of the DAC
(1) The dip_D[7:0] pins of CV2203 are used only for sampling at bootstrap to establish the device's configuration. CV2203 does not include a display interface for connecting to an LCD.			

Table 3-5: Display Interface

3.1.6 MPEG2 Transport Interface (MP2TS)

The CV220X uses the MP2TS interface to receive MPEG2 transport streams from the baseband. This is a four-signal interface and all signals are sourced from the baseband. Note that the CV220X device has dual MP2TS interfaces referred to as 'mp2ts' and 'mp2ts1'. The 'mp2ts1' signals are available via shared I/Os with the SPI interface. Refer to Table 3-19 for details.

The baseband sends out 188-byte frames and a typical frame has the following signal format. The interface can be configured to support MSB or LSB first formats.

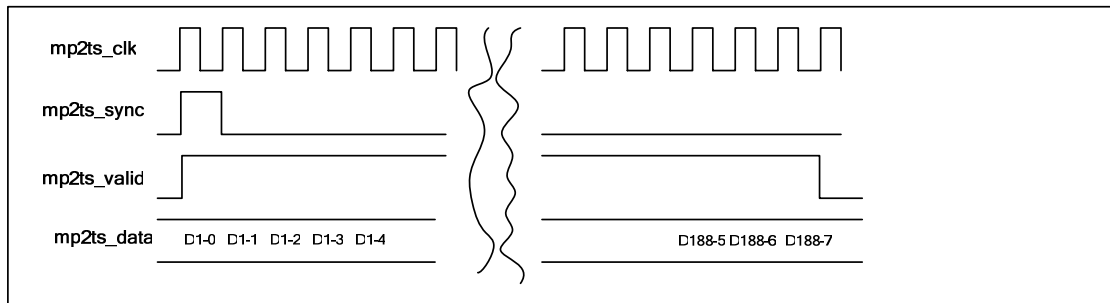


Figure 10: MP2TS Interface Signal Formats

Table 3-6 lists the CV220X pin information for the MP2TS Interface.

Signal	Alternate Function	Pin Direction	Pin Description
mp2ts_clk	-	Input	Clock source for synchronous interface
mp2ts_valid	-	Input	Signal indicating the serial data is valid
mp2ts_sync	-	Input	Frame pulse indicating start of frame
mp2ts_data	-	Input	Serial data

Table 3-6: MP2TS Interface

3.1.7 USB 2.0 HIGH SPEED

The USB Interface has the following features:

- USB 2.0 HIGH SPEED compliant
- CV2201 and CV2202 devices support USB OTG
- USB 2.0 PHY is integrated on chip
- Supports high-speed (480 MHz), full speed (12 MHz), and low speed (1.5 MHz) operation
- Supports seven physical endpoints - one control and six endpoints configurable as IN or OUT. The IN/OUT endpoints are software configurable as bulk, isochronous, interrupt or control

Table 3-7 lists the CV220X pin information for the USB Interface.

Signal	Alternate Function	Pin Direction	Pin Description
usb_phy_id	-	Analog USB pad	Indicates A or B cable
usb_phy_vbus	-	Analog USB pad	Vbus power monitor input. This is a 5 V signal (+/-10%) with a max value of 5.5V.
usb_phy_Plus	-	Analog USB pad	USB data plus
usb_phy_Minus	-	Analog USB pad	USB data minus
usb_phy_res	-	Analog USB pad	External resistor of 8.2 K \pm 1% should be connected from here to ground
utmio_tg_drvvbus	gpio[73]	Bi-dir.	Externally controls power source for USB VBUS voltage or alternate function; Available for CV2201 and CV2202 devices;

Table 3-7: USB Interface

The usb_phy_vbus signal monitors the 5.0V VBus signals for USB 2.0 HIGH SPEED. Figure 11 illustrates USB interface connectivity with the host.

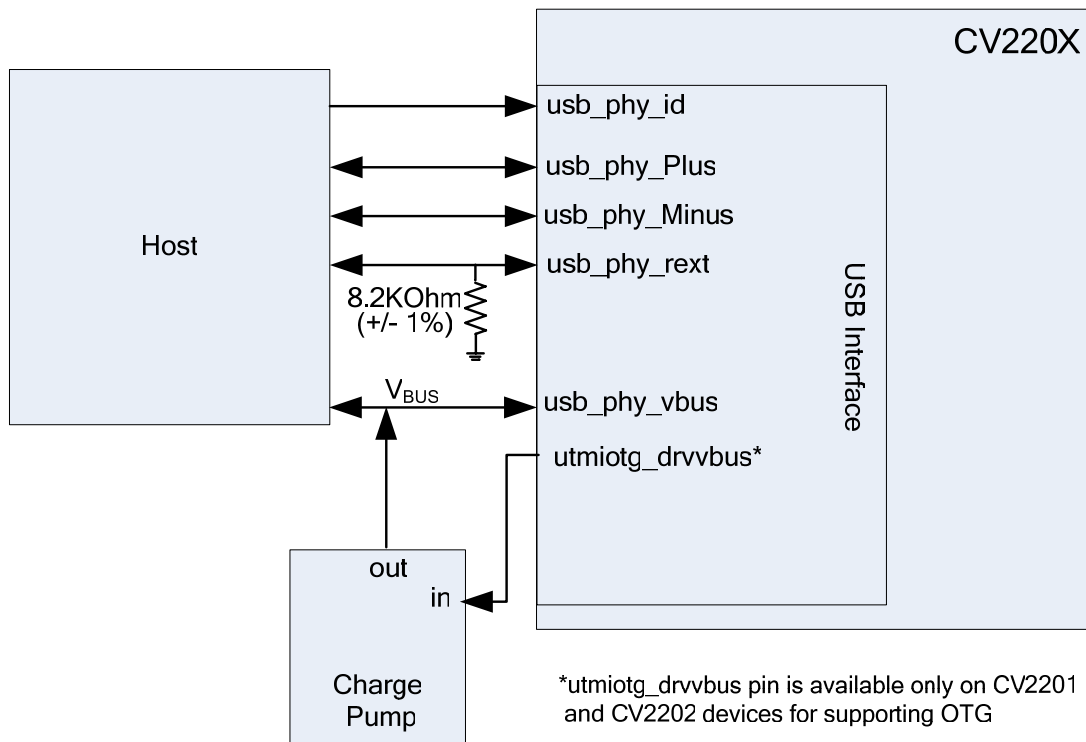


Figure 11: USB/Host Connectivity

3.1.8 Smart Card Interface

The Smart Card Interface complies with the following integrated circuit card standards:

- ISO/IEC 7816-3 amendment I (2002-06-01)
- ISO/IEC 7816-10
- EMV Book 1 Version 4.1 (2004-05-01)

The CV220X Smart Card feature supports:

- Programmable clock frequency, baud rate, activation time, de-activation time and others
- Hardware initiated de-activation sequence upon detection of card removal
- Charge pump control interface for smart card power supply control

Figure 12 shows the connection between the CV220X and a typical smart card device.

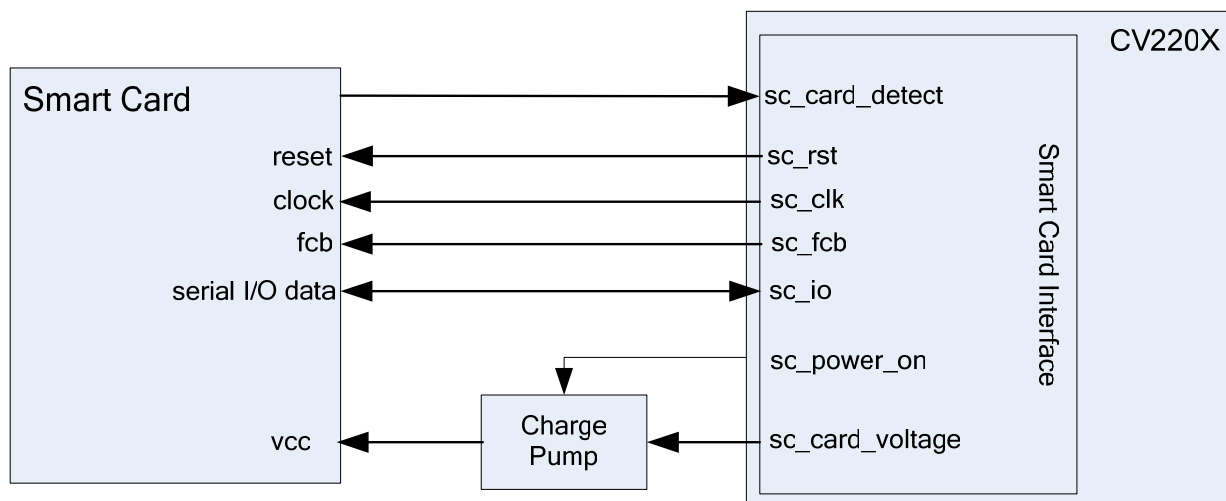


Figure 12: Smart Card Connectivity

Table 3-8 lists the CV220X pin information for the Smart Card Interface.

Signal	Alternate Function	Pin Direction	Pin Description
sc_io	gpio[58]	Bi-dir.	Serial data I/O
sc_card_detect	gpio[59]	Bi-dir.	Card detection
sc_card_voltage	gpio[61] or spi_rx3	Bi-dir.	Output to external PS to indicate required voltage or alternate function

Signal	Alternate Function	Pin Direction	Pin Description
sc_fcb	gpio[57] or pwm1_out	Bi-dir.	Used in synchronous mode or alternate function
sc_clk	gpio[55]	Bi-dir.	Clock or alternate function
sc_power_on	gpio[60]	Bi-dir.	Controls external PS or alternate function
sc_rst	gpio[56]	Bi-dir.	Reset or alternate function

Table 3-8: Smart Card Interface**3.1.9 Serial Interfaces**

The CV220X has the following serial interfaces:

- UART
- SPI

3.1.9.1 UART

The CV220X has two UARTs, referred to as UART and UART1, used for incoming or outgoing data paths. Note that uart1_Rx and uart1_Tx signals of UART1 are available via shared I/Os and this UART does not support CTS/RTS modem signals.

The UARTs have the following features:

- Asynchronous interface
- Programmable baud rate
- Parity and framing error detection with indication via interrupts
- Echo, local loopback and remote loopback diagnostic modes
- Single start bit, 8-bit character length, programmable stop bits (1 or 2), programmable parity (even, odd or none)
- Independent receive and transmit FIFOs
- The primary UART supports CTS/RTS modem signals for hardware flow control.

Table 3-9 lists the CV220X pin information for the UART Interface.

Signal	Alternate Function	Pin Direction	Pin Description
uart_Rx	gpio[23]	Bi-dir.	UART serial receive data or alternate function
uart_Tx	gpio[22]	Bi-dir.	UART serial transmit data or alternate function
uart_cts	gpio[82] or spi_CS1	Bi-dir.	Clear to send modem signal or alternate function
uart_rts	gpio[83] or spi_CS2	Bi-dir.	Request to send modem signal or alternate function

Table 3-9: UART Interface

UART1 signals are accessible only as alternate functions. These signals are listed in Table 3-19: GPIOs and Alternate Functions Shared with External Pins.

3.1.9.2 SPI

The Serial Peripheral Interface (SPI) provides an alternate data path to and from the CV220X. The CV220X device has two SPI blocks on board referred to herein as SPI and SPI1. The SPI blocks in the CV2201 and CV2202 devices each have four chip selects (spi_CS, spi_CS1, spi_CS2, spi_CS3), four serial receive data signals (spi_Rx, spi_Rx1, spi_Rx2, spi_Rx3) and a serial transmit data signal (spi_Tx). (Note that three of the chip selects and three receive signals of SPI are accessible via shared I/Os). CV2203-A SPI has two chip selects (spi_CS, spi_CS3), two serial receive data signals (spi_Rx and spi_Rx3) and a serial transmit data signal (spi_Tx). (The spi_CS3 and spi_Rx3 are accessible as alternate functions for this device.) For more details, refer to Table 3-19.) SPI1 has a dedicated clock, a chip select, and transmit and receive I/Os as shown below in Table 3-10.

This interface is compatible with the Motorola SPI specification and provides the following features:

- Four wire synchronous full duplex interface using a clock, chip select, serialized receive data and serialized transmit data
- Configurable as master or slave. The master sources the clock and chip select and the slave sinks these pins.
- 128-byte transmit FIFO and 128-byte receive FIFO
- Programmable clock rate (master mode only)
- Programmable frame size
- Supports “continuous” mode of operation
- Programmable clock phase (SPH) and polarity (SPO)

Table 3-10 lists the CV220X pin information for the SPI.

Signal	Alternate Function	Pin Type	Pin Description
spi_Clk	gpio[29]	Bi-dir.	SPI serial clock or alternate function
spi_CS	gpio[28]	Bi-dir.	SPI slave select or alternate function
spi_Tx	gpio[26]	Bi-dir.	SPI serial transmit data or alternate function
spi_Rx	gpio[27]	Bi-dir.	SPI serial receive data or alternate function
spi1_Clk	mp2ts1_clk	Bi-dir.	SPI1 serial clock or alternate function
spi1_CS	mp2ts1_sync	Bi-dir.	SPI1 slave select or alternate function
spi1_Tx	mp2ts1_valid	Bi-dir.	SPI1 serial transmit data or alternate function
spi1_Rx	mp2ts1_data	Bi-dir.	SPI1 serial receive data or alternate function

Table 3-10: SPI Signals

3.1.10 GPS Interface

The SPI block has an embedded alternate GPS function that stores data from a GPS source into the receive fifo. When this mode is enabled the SPI function can no longer use the receive FIFO (the transmit FIFO is still available for SPI transmit functions). The GPS interface is a very simple serial interface as shown below.

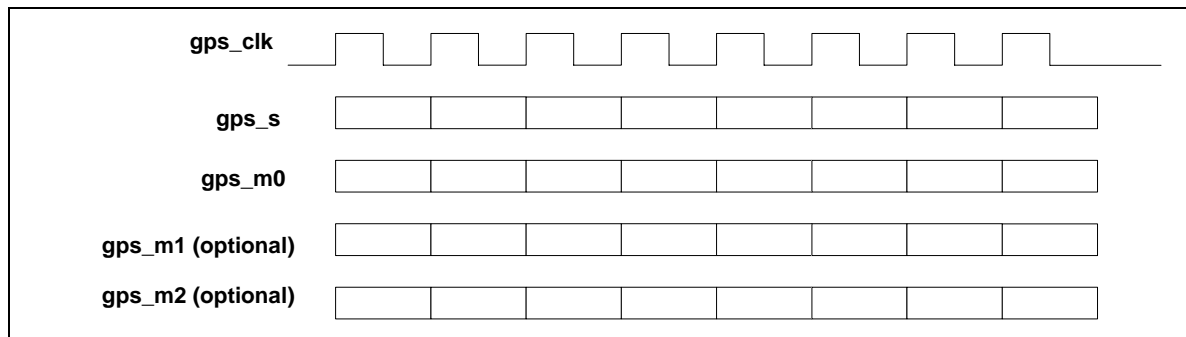


Figure 13: GPS Interface

GPS interface signals are shared IOs of the mp2ts interface and the uart interface. GPS interface signals are listed in the table below.

Signal	Alternate Function	Pin Direction	Pin Description
mp2ts_clk	gps_clk	Bi-dir.	mp2ts clock or alternate function
mp2ts_valid	gps_m0	Bi-dir.	mp2ts valid serial data or alternate function

Signal	Alternate Function	Pin Direction	Pin Description
mp2ts_sync	gps_m1	Bi-dir.	mp2ts frame pulse or alternate function
mp2ts_data	gps_s	Bi-dir.	mp2ts serial data or alternate function
uart_rts	gps_m2	Bi-dir.	request to send modem signal or alternate function

Table 3-11: GPS Interface

3.1.11 Audio Interface

The Audio Interface provides a direct connection to either voice quality or high-quality audio ADC/DAC. The Audio Interface has the following features:

- Supports I2S or AC97 interface protocol
- Supports full duplex data path
- Separate receive and transmit FIFOs
- Software configurable hardware interface to support a variety of I2S and AC97 applications

Figure 14 shows the CV2201/CV2202 audio interface connections to an audio DAC. The CV2203 device does not include an audio interface.

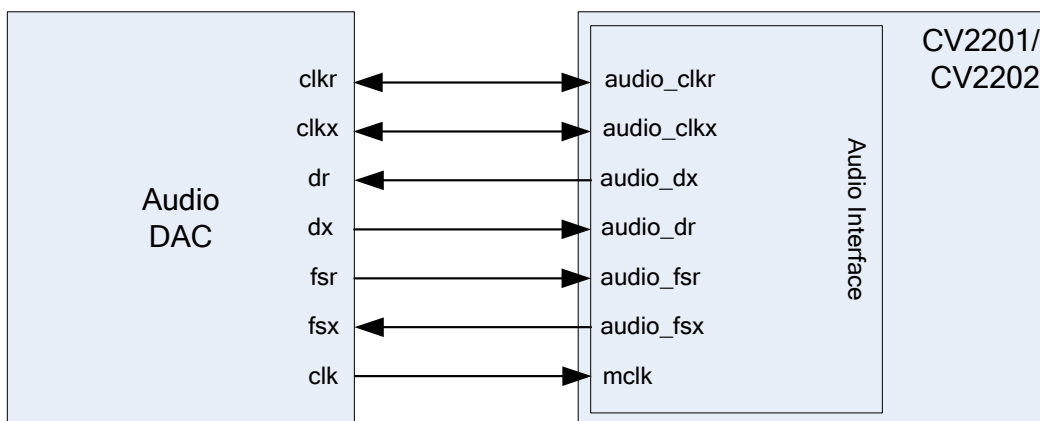


Figure 14: Audio Interface

Table 3-12 lists the CV2201 and CV2202 pin information for the Audio Interface.

Signal	Alternate Function	Pin Direction	Pin Description
audio_clkr	gpio[16]	Bi-dir.	Audio receive bit clock or alternate function
audio_clkx	gpio[19]	Bi-dir.	Audio transmit bit clock or alternate function
audio_dr	gpio[17]	Bi-dir.	Audio receive data or alternate function
audio_dx	gpio[20]	Bi-dir.	Audio transmit data or alternate function
audio_fsr	gpio[18] or pwm2_out	Bi-dir.	Audio receive frame clock or alternate function
audio_fsx	gpio[21]	Bi-dir.	Audio transmit frame clock or alternate function
mclk	-	Bi-dir.	Audio clock source from external audio DAC.

Table 3-12: Audio Interface

3.1.12 Media Storage (SD/SDHC)

The Media Storage Interface is compatible with the SD and SDHC memory card specifications. SDHC cards are supported but only at SD card interface rates. MMC is a subset of the SD specification and by default is also supported. The Media Storage Interface has the following features:

- Software programmable external clock
- Support of a 48-bit command through a software accessible command buffer
- Support of both a 48 or 136-bit response through a response buffer
- Support of CRC generation and checking
- Software configurable data width of 1 (MMC mode) or 4 bits (SD mode)
- Incoming and outgoing datapath (implemented using FIFOs) driven by a DMA engine

The interface does not manage the media card power supply. Figure 15 shows the connectivity between the CV220X and an SD memory card.

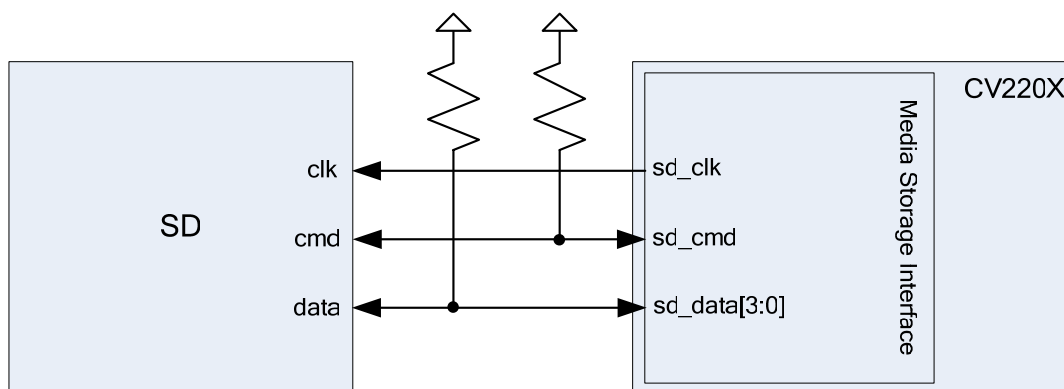


Figure 15: Media Storage Interface to SD Card

Table 3-13 lists the CV220X pin information for the Media Storage Interface.

Signal	Alternate Function	Pin Type	Pin Description
sd_clk	gpio[35]	Bi-dir.	SD/SDHC clock or alternate function
sd_cmd	gpio[34]	Bi-dir.	SD/SDHC serial command/response or alternate function
sd_D[3:0]	gpio[33:30]	Bi-dir.	SD/SDHC serial data or alternate function

Table 3-13: Media Storage Interface

3.1.13 I²C Interface

The I²C controller is a peripheral interface intended for configuring external devices such as sensors and audio DACs. The interface consists of the following signals:

- serial clock – This is a clock to sample an incoming serial data stream or to indicate when an outgoing serial stream has valid data. This serial clock pin will “float” high and “drive” low much like an open collector and requires an external pull-up resistor.
- serial data – This is a bi-directional IO that can be driven by either the CV220X or the peripheral being configured. The serial data pin will “float” high and “drive” low much like an open collector and requires an external pull-up resistor.

The CV220X has two I²C interfaces on chip. One of these interfaces has its serial clock and serial data accessible as alternate functions via shared I/Os. The other I²C interface has primary functionality on dedicated I/Os as shown in the table below.

Signal	Alternate Function	Pin Direction	Pin Description
scl	gpio[36]	Bi-dir.	Serial configuration clock or alternate function
sda	gpio[37]	Bi-dir.	Serial configuration data or alternate function

Table 3-14: I2C Interface

3.1.14 MMCPlus Interface

The MMCPlus interface is similar to SD interface with the exception that it has a data width of 8-bits. These interface pins in the CV2201 and CV2202 devices are shared I/Os with the NAND interface. The MMCPlus interface is not available with the CV2203 device. The table below depicts the signals of this interface.

Signal	Alternate Function	Pin Direction	Pin Description
nand_cen[0]	gpio[12] or mmcplus_clk	Bi-dir.	NAND chip select0 or alternate function
nand_cen[1]	gpio[70] or mmcplus_cmd	Bi-dir.	NAND chip select1 or alternate function
nand_D[0]	gpio[74] or mmcplus_data[0]	Bi-dir.	NAND data bus signal or alternate function
nand_D[1]	gpio[75] or mmcplus_data[1]	Bi-dir.	NAND data bus signal or alternate function
nand_D[2]	gpio[76] or mmcplus_data[2]	Bi-dir.	NAND data bus signal or alternate function
nand_D[3]	gpio[77] or mmcplus_data[3]	Bi-dir.	NAND data bus signal or alternate function
nand_D[4]	gpio[78] or mmcplus_data[4]	Bi-dir.	NAND data bus signal or alternate function
nand_D[5]	gpio[79] or mmcplus_data[5]	Bi-dir.	NAND data bus signal or alternate function
nand_D[6]	gpio[80] or mmcplus_data[6]	Bi-dir.	NAND data bus signal or alternate function
nand_D[7]	gpio[81] or mmcplus_data[7]	Bi-dir.	NAND data bus signal or alternate function

Table 3-15: MMCPlus Interface Pinout for CV2201, CV2202**3.1.15 External Memory Interface**

The CV2202 device has a memory controller capable of interfacing with an external Mobile DDR SDRAM up to 1Gbit in size. Figure 16 illustrates the CV2202 connectivity to an external Mobile DDR SDRAM.

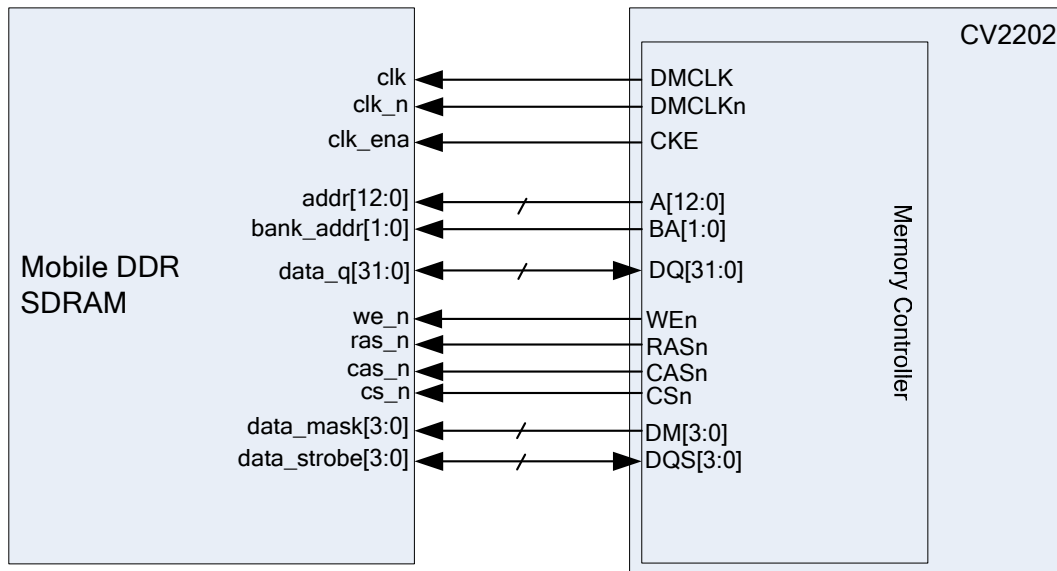


Figure 16: CV2202 Interface to External Memory

The table below provides CV2202 pin information for the memory interface.

Signal	Alternate Function	Pin Direction	Pin Description
DMCLK	-	Output	Clock signal to external memory.
DMCLKn	-	Output	DMCLK and DMCLKn are differential clocks to the external memory.
A[12:0]	-	Output	Address bus
CKE	-	Output	Clock enable signal for external memory
WE _n	-	Output	Write enable signal for external memory (active low)
CAS _n	-	Output	Column access strobe (active low)
RAS _n	-	Output	Row access strobe (active low)
CS _n	-	Output	Chip select (active low)
BA[1:0]	-	Output	Bank address bus
DQ[31:0]	-	Bi-dir.	Data bus

Signal	Alternate Function	Pin Direction	Pin Description
DM[3:0]	-	Output	Data mask for write data; DM[3] is mask bit for DQ[31:24] DM[2] is mask bit for DQ[23:16] DM[1] is mask bit for DQ[15:8] DM[0] is mask bit for DQ[7:0];
DQS[3:0]	-	Bi-dir.	Data strobe; DQS[3] is strobe bit for DQ[31:24] DQS[2] is strobe bit for DQ[23:16] DQS[1] is strobe bit for DQ[15:8] DQS[0] is strobe bit for DQ[7:0];

Table 3-16: CV2202 External Memory Pinout

3.1.16 Pulse Width Modulated Outputs

Two pulse width modulated (PWM) outputs are available as alternate pin functions. As shown in Table 3-17, these pins also have alternate GPIO functionality. To use the PWM functionality, the GPIO for the pin must be disabled and the PWM output must be enabled.

Signal	Alternate Function	Pin Direction	Pin Description
audio_fsr	gpio[18] or pwm2	Bi-dir.	Audio receive frame clock, GPIO or PWM signal as alternate function; only applies to CV2201 and CV2202
sc_fcb	gpio[57] or pwm1	Bi-dir.	Smart card, GPIO or PWM signal as alternate function; applies to all CV220X parts

Table 3-17: PWM Function Pinout

3.1.17 Power Management Interface

The PMI controller is a peripheral interface intended to manage internal and external power sources (either to change the voltage level or disable the voltage completely). Note that dual master operation is not supported by this controller.

The PMI interface is a two wire interface consisting of the following signals:

- **pmi_clk** – The clock source of this controller. This is only driven during the active portion of a transaction, otherwise it is tri-stated.
- **pmi_data** – Bi-directional serial data. Data is always driven on the rising edge and sampled on the falling edge.

Signal	Alternate Function	Pin Direction	Pin Description
reserved_4	gpio[7] or pmi_data	Bi-dir.	GPIO or alternate function
reserved_3	gpio[6] or pmi_clk	Bi-dir.	GPIO or alternate function

Table 3-18: PMI Function Pinout

3.1.18 GPIOs and Alternate Functions

A number of external pins have alternate GPIO functionality as shown in Table 3-19. Some of these pins also have a third function shown in the alternate function column. The “gpio enable” register controls whether the pin functions as a GPIO. For the pins that have a third function, the “alternate function enable” register selects the alternate function if the GPIO enable bit for that pin is disabled. Note that external pins labeled ‘reserved_#’ should only be used as GPIOs or as the alternate function as the primary functionality is reserved and not intended for use during normal operation. The last column in the table identifies part numbers which have access to associated GPIOs and alternate functions.

External Pin	GPIO #	Alternate Function	PAD Resistor	Device Access
reserved_1	gpio[0]	-	none	CV220X
sensor_clkout	gpio[1]	-	none	CV220X
reserved_2	gpio[2]	-	pull-down	CV220X
dip_D[17]/ reserved_23	gpio[3]	scl_sec	none	CV2201, CV2202/ CV2203
dip_D[16]/ reserved_24	gpio[4]	sda_sec	none	CV2201, CV2202/ CV2203
dip_pclk	gpio[5]	-	none	CV2201, CV2202
reserved_3	gpio[6]	pmi_clk	none	CV220X
reserved_4	gpio[7]	pmi_data	none	CV220X
reserved_5	gpio[8]	-	none	CV220X
reserved_6	gpio[9]	-	none	CV220X
nand_ale/ reserved_25	gpio[10]	-	none	CV2201, CV2202/ CV2203
nand_cle	gpio[11]	-	none	CV2201, CV2202
nand_cen[0]/ reserved_19	gpio[12]	mmcplus_clk	pull-up	CV2201, CV2202/ CV2203 (only GPIO)
nand_wen	gpio[13]	-	none	CV2201, CV2202
nand_ren	gpio[14]	-	none	CV2201, CV2202
dip_OEn	gpio[15]	dip_blank	none	CV2201, CV2202
audio_clkr	gpio[16]	-	none	CV2201, CV2202
audio_dr	gpio[17]	-	none	CV2201, CV2202
audio_fsr	gpio[18]	pwm2_out	none	CV2201, CV2202
audio_clkx	gpio[19]	-	none	CV2201, CV2202

External Pin	GPIO #	Alternate Function	PAD Resistor	Device Access
audio_dx	gpio[20]	-	none	CV2201, CV2202
audio_fsx	gpio[21]	-	none	CV2201, CV2202
uart_Tx	gpio[22]	-	none	CV220X
uart_Rx	gpio[23]	-	none	CV220X
dip_CSn2	gpio[24]	-	pull-up	CV2201, CV2202
dip_CSn3	gpio[25]	-	pull-up	CV2201, CV2202
spi_Tx	gpio[26]	mp2ts1_valid	none	CV220X
spi_Rx	gpio[27]	mp2ts1_d	none	CV220X
spi_CS	gpio[28]	mp2ts1_sync	pull-up	CV220X
spi_Clk	gpio[29]	mp2ts1_clk	none	CV220X
sd_D[0:3]	gpio[30:33]	-	none	CV220X
sd_cmd	gpio[34]	-	none	CV220X
sd_clk	gpio[35]	-	pull-up	CV220X
scl	gpio[36]	-	none	CV220X
sda	gpio[37]	-	none	CV220X
reserved_7	gpio[38]	keyscan_in[0]	none	CV220X
reserved_8	gpio[39]	keyscan_in[1]	none	CV220X
reserved_9	gpio[40]	keyscan_in[2]	none	CV220X
reserved_10	gpio[41]	keyscan_in[3]	none	CV220X
reserved_11	gpio[42]	keyscan_out[0]	none	CV220X
reserved_12	gpio[43]	keyscan_out[1]	none	CV220X
reserved_13	gpio[44]	keyscan_out[2]	none	CV220X
reserved_14	gpio[45]	keyscan_out[3]	none	CV220X
dip_D[18:21]/ reserved_[26:29]	gpio[46:49]	-	none	CV2201, CV2202/ CV2203
dip_D[22]/ reserved_17	gpio[50]	uart1_Rx	none	CV2201, CV2202/ CV2203
dip_D[23]/ reserved_18	gpio[51]	uart1_Tx	none	CV2201, CV2202/ CV2203
sensor_fodd	gpio[52]	-	none	CV220X
sensor_gpio	gpio[53]	-	none	CV220X
dip_cpu_vsync	gpio[54]	-	none	CV2201, CV2202
sc_clk	gpio[55]	-	pull-up	CV220X
sc_rst	gpio[56]	-	none	CV220X
sc_fcb	gpio[57]	pwm1_out	none	CV220X
sc_io	gpio[58]	-	none	CV220X
sc_card_detect	gpio[59]	-	none	CV220X
sc_power_on	gpio[60]	-	none	CV220X
sc_card_voltage	gpio[61]	spi_Rx3	none	CV220X

External Pin	GPIO #	Alternate Function	PAD Resistor	Device Access
nand_cen[1]/ reserved_20	gpio[70]	mmcplus_cmd	pull-up	CV2201, CV2202/ CV2203 (only GPIO)
nand_cen[2]/ reserved_21	gpio[71]	spi_Rx1	pull-up	CV2201, CV2202/ CV2203
nand_cen[3]/ reserved_22	gpio[72]	spi_Rx2	pull-up	CV2201, CV2202/ CV2203
utmioctg_drvvbus	gpio[73]	-	pull-up	CV2201, CV2202
nand_D[0:7]	gpio[74:81]	mmcplus_data[0:7]	none	CV2201, CV2202
uart_cts	gpio[82]	spi_CS1	none	CV220X
uart_rts	gpio[83]	spi_CS2 or gps_m2	none	CV220X
reserved_15	gpio[84]	spi_CS3	none	CV220X
dip_csn0	gpio[86]	-	pull-up	CV2201, CV2202
dip_csn1	gpio[87]	-	pull-up	CV2201, CV2202
mp2ts_d	gpio[88]	gps_s	none	CV220X
mp2ts_clk	gpio[89]	gps_clk	none	CV220X
mp2ts_valid	gpio[90]	gps_m0	none	CV220X
mp2ts_sync	gpio[91]	gps_m1	none	CV220X
dip_RS	-	dip_hsync	none	CV2201, CV2202
dip_Wrn	-	dip_vsync	none	CV2201, CV2202
spi1_Clk	-	mp2ts1_clk	none	CV220X
spi1_CS	-	mp2ts1_sync	pull-up	CV220X
spi1_Tx	-	mp2ts1_valid	none	CV220X
spi1_Rx	-	mp2ts1_data	none	CV220X

Table 3-19: GPIOs and Alternate Functions Shared with External Pins

3.1.19 Production Test and System Signals

Table 3-20 lists the CV220X pin information for system and test signals.

Signal	Alternate Function	Pin Direction	Pin Description
Clkin	-	Input	Clock input to CV220X from crystal, oscillator or baseband processor
Clkout	-	Output	Output for crystal connection or ground if Clkin is driven by oscillator
resetN	-	Input	Chip reset
hw_deep_secure	-	Input	Selects secure boot process if set to '1' or regular boot if set to '0'; Only applicable to CV2201 and CV2202 parts; CV2203 boot is

Signal	Alternate Function	Pin Direction	Pin Description
			always regular.
testmode	-	Input	Enable testmode (manufacture test only)
tck	-	Input	JTAG test clock
rtck	-	Output	JTAG return clock
tdi	-	Input	JTAG test data input
tdo	-	Output	JTAG test data output
Ntrst	-	Input	JTAG test reset
tms	-	Input	JTAG test mode

Table 3-20: Production Test and System Signals

3.1.20 Core and I/O Power

Table 3-21 provides the CV220X pin information for core and I/O power.

Power Supply	Pin Names	Pin Description
1.0 V	VDD_CORE	Power supply for IC core
	VDD_LP	Power supply for low power audio/video circuitry
3.0V	VDDA_PLL	Analog supply voltage for PLL
*	VSSA_PLL	PLL power return (DO NOT CONNECT TO GROUND)
1.8 V	VDD_SDRAM	SDRAM core power
2.8 V	VDD_OSC	Power supply for crystal pad
3.3 V	VDD_USB	Power supply for USB
	VDDA_DAC	Analog supply voltage for internal DAC
1.8/2.8/3.0 V	VDD_SCCARD	IO supply for Smart Card Interface (CV2201, CV2202)
	VDD_SENSOR	IO supply for Sensor Interface block and I2C
	VDD_GPIO	IO supply for GPIOs and KeyScan (CV2201, CV2202)
	VDD_DIP	IO supply for DIP block (CV2201, CV2202)
	VDD_MISCF	IO supply for MP2TS, UART, SPI, and JTAG interfaces.
	VDD_SDMMC	IO supply for SD/SDHC/MMC Interface (CV2201, CV2202)
	VDD_AUDIO	IO supply for Audio Interface block (CV2201, CV2202)
	VDD_NAND	IO supply for NAND Interface block
GND	VDD_IO	CV2203 general IO supply for MP2TS, JTAG, SPI, UART, SDMMC, SCCARD, GPIO/Keyscan interfaces
	VSS	Common ground
	VSSA_DAC	Ground for internal analog DAC
	VSS_USB	Ground for USB
	VSS_OSC	Ground for crystal pad
* See Figure 17 for VSSA_PLL connectivity		

Table 3-21: CV220X Power Supply

3.2 PLL and Timing Generation

The timing generation block provides and manages the clocks required by the internal logic and IP blocks. The clocks are produced from an internal PLL. An onboard crystal oscillator or an external clock provides the input clock to the PLL. Figure 17 shows the connection between crystals and the CV220X. If the clock source is the baseband processor or an oscillator, the clock output signals are not connected.

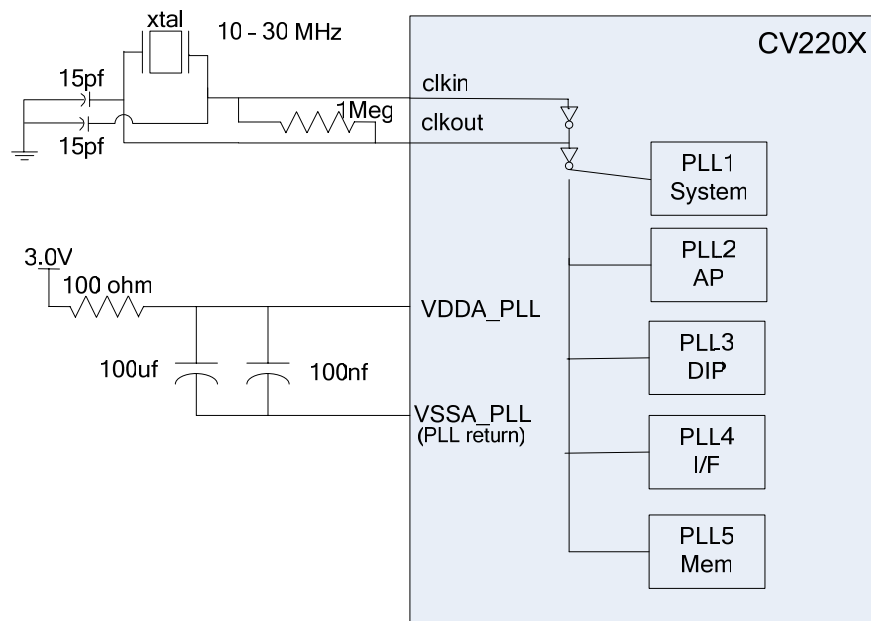


Figure 17: Crystal Connected to CV220X

4 Packaging

4.1 CV2201

The CV2201 is available in a 236-ball BGA package of size 9 mm x 9 mm x 1.34 mm. Figure 18 contains CV220X packaging information. All dimensions are in mm.

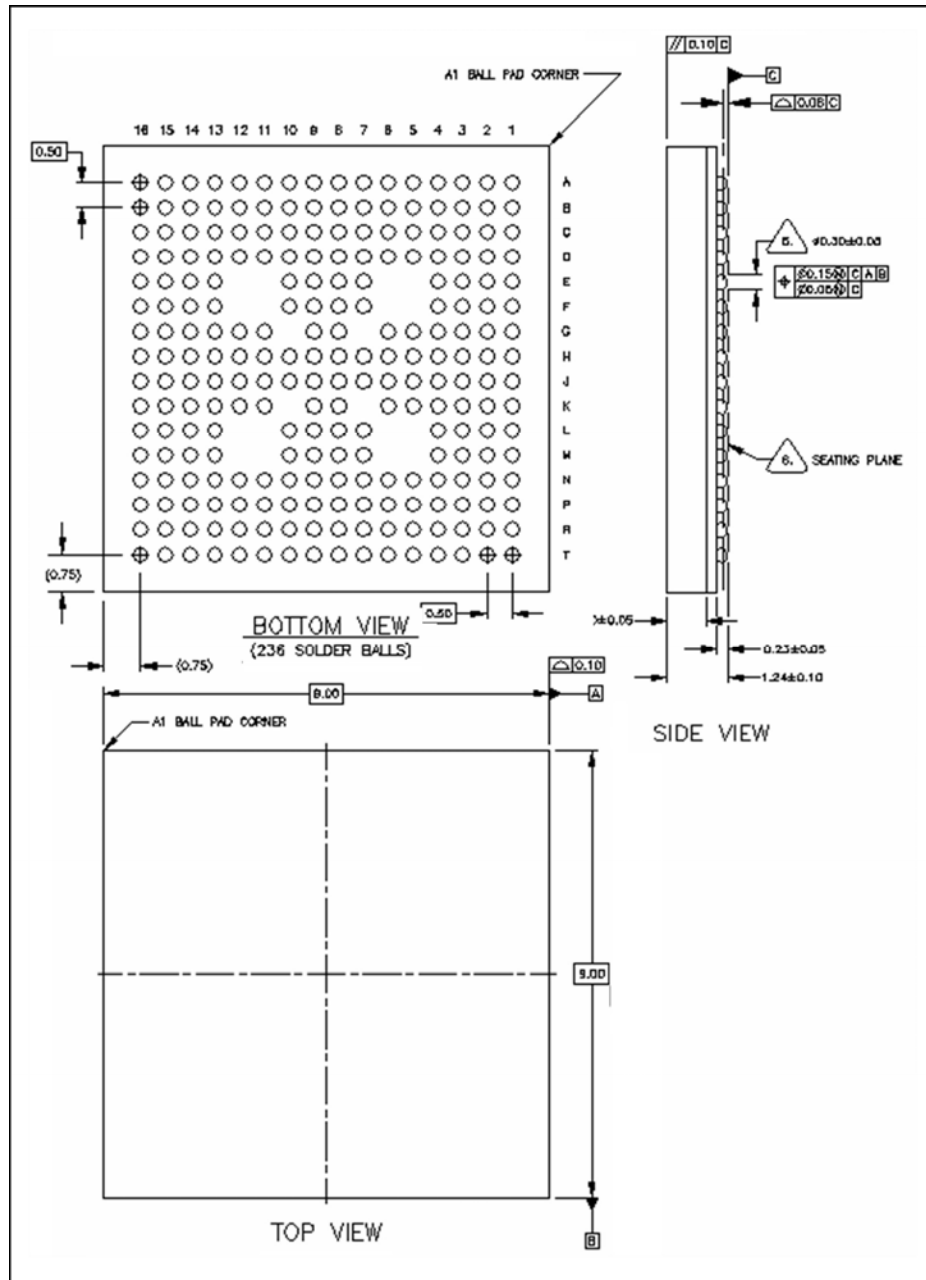


Figure 18: CV2201 Package

4.2 CV2202

The CV2202 is available in a 296-ball CABGA package of size 10 mm x 10 mm x 0.99 mm. Figure 19 contains CV220X packaging information. All dimensions are in mm.

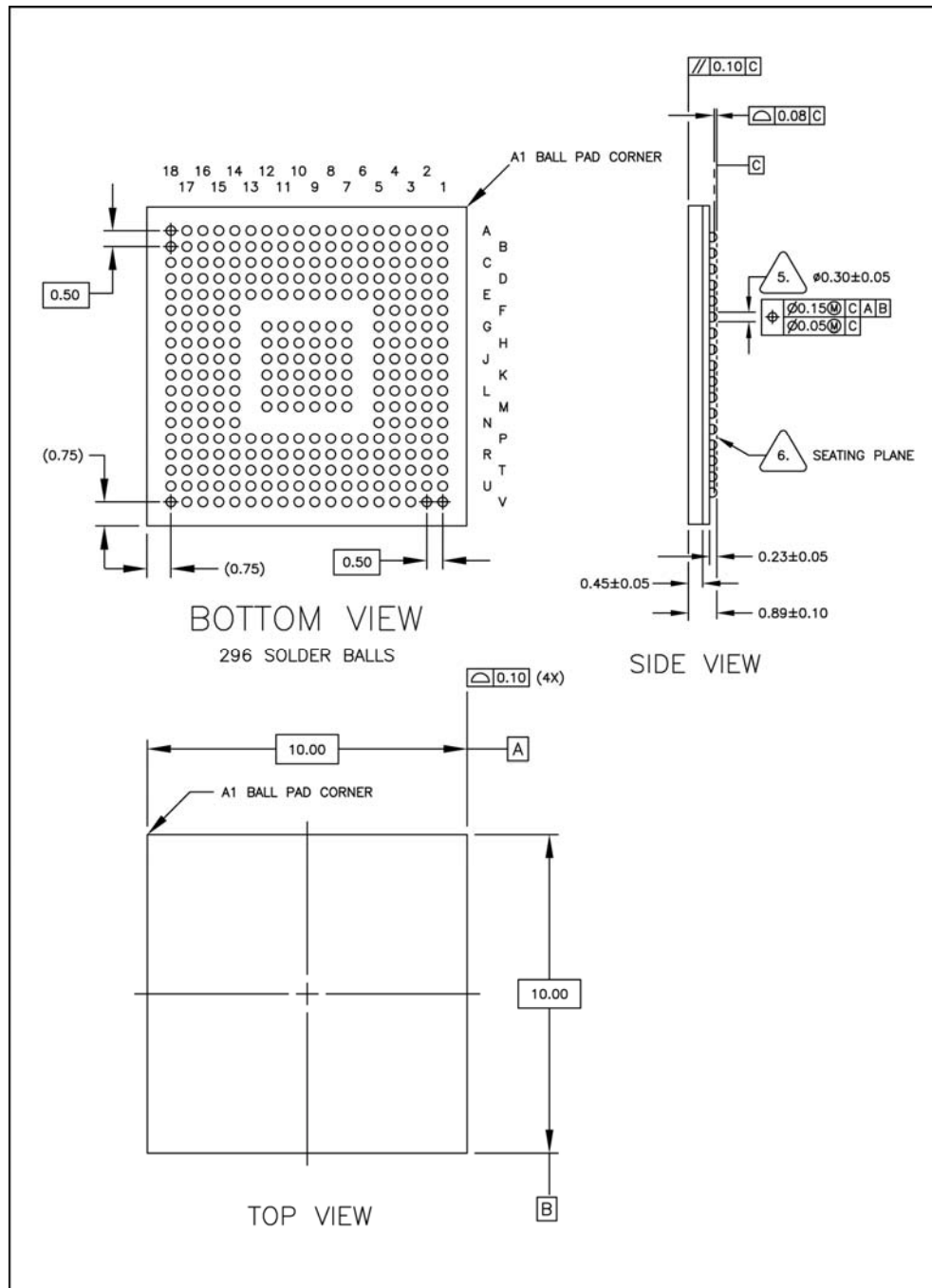


Figure 19: CV2202 Package

4.3 CV2203

The CV2203 is available in a 196-ball BGA package of size 10 mm x 10 mm x 1.44 mm. Figure 20 contains CV220X packaging information. All dimensions are in mm.

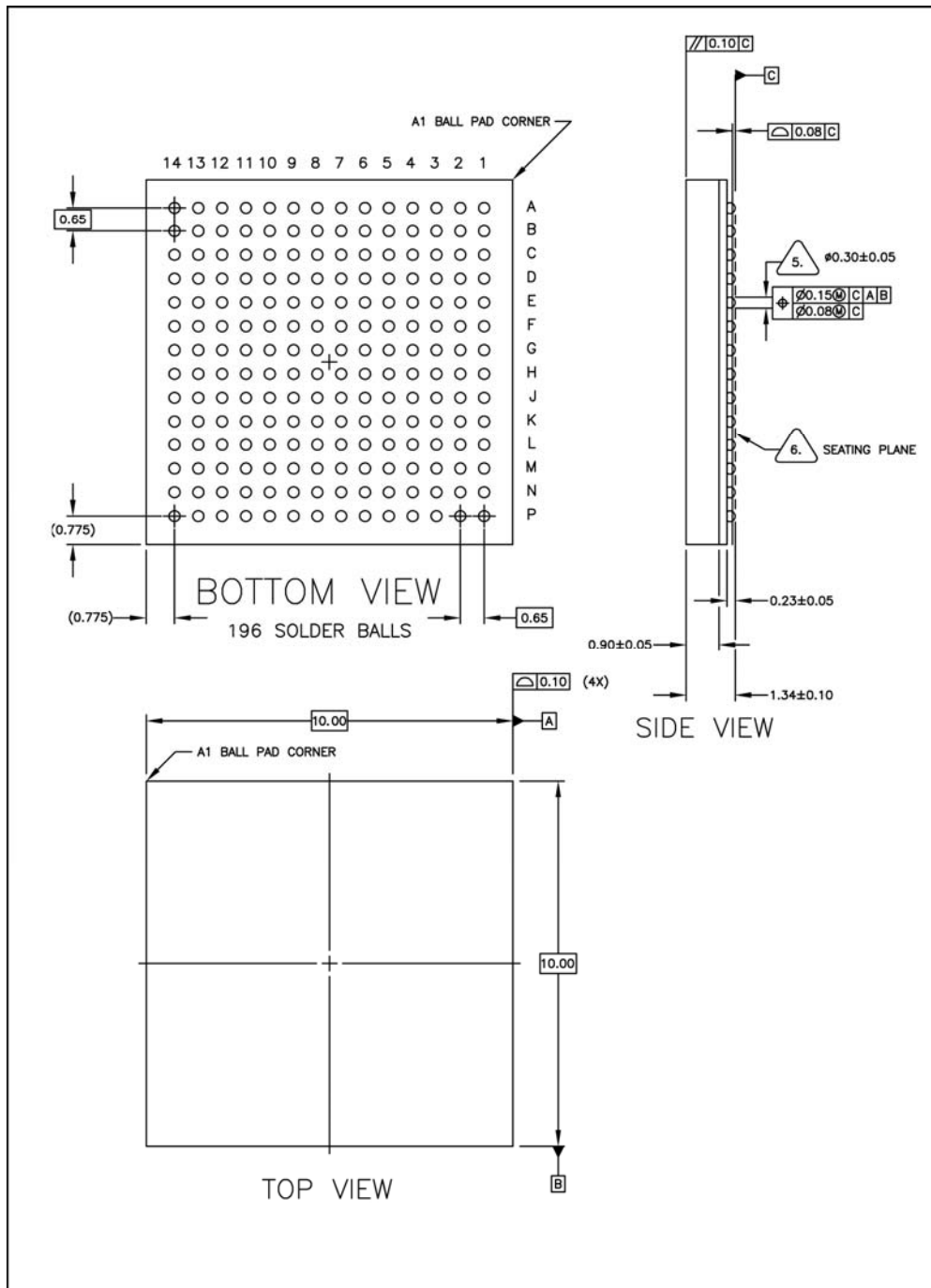


Figure 20: CV2203 Package

4.4 CV220X Pinout

The following table describes the physical pins of the devices belonging to the CV220X series. The pins are organized into functional groups. External interfaces are grouped together on the IO voltage banks that can be powered by either 2.8 or 1.8 volts. Many outputs may be configured as having low or high output drive strength by programming the device. The output drive capability is indicated in the PAD type column.

Note that '-' indicates the pin does not apply to the device as the signal is not balled out on the package. Pins in the 'No Connect' section of the table are used solely for test purposes and should not be used in normal operating mode. Some pins are designated 'reserved_#'. These pins may only be used as the corresponding GPIOs or alternate functionality as defined in section 3.1.18. Primary functionality of these pins is reserved and not intended for use.

Pin Name	Power Domain	PAD Type	Default PU/PD	CV2201 Ball	CV2202 Ball	CV2203 Ball
Sensor						
sensor_D[0]	SIF	Input	PD	C6	E6	A4
sensor_D[1]	SIF	Input	PD	C7	D7	C5
sensor_D[2]	SIF	Input	PD	D7	E7	B5
sensor_D[3]	SIF	Input	PD	E7	C8	A5
sensor_D[4]	SIF	Input	PD	B8	D8	C6
sensor_D[5]	SIF	Input	PD	C8	E8	B6
sensor_D[6]	SIF	Input	PD	D8	C9	A6
sensor_D[7]	SIF	Input	PD	E8	D9	C7
sensor_D[8]	SIF	Input	PD	B9	E9	B7
sensor_D[9]	SIF	Input	PD	C9	D10	A7
sensor_fclk	SIF	Input	PD	B11	E11	C8
sensor_pclk	SIF	Input	PD	E9	D11	B8
sensor_rclk	SIF	Input	PD	D9	E10	A8
sensor_fodd	SIF	Bi-dir. 4 mA / 8 mA	none	C10	E12	B9
sensor_gpio	SIF	Bi-dir. 4 mA / 8 mA	none	B7	D6	B4
sensor_clkout	SIF	Bi-dir. 4 mA / 8 mA	none	B10	D12	A9
I2C						
scl	SIF	Bi-dir. 4 mA / 8 mA	none	E10	D14	B10
sda	SIF	Bi-dir. 4 mA / 8 mA	none	D10	D13	C9
NAND						
nand_wen	NAND	Bi-dir. 2 mA / 4 mA	none	R1	V1	-
nand_ren	NAND	Bi-dir. 2 mA / 4 mA	none	T1	V2	-
nand_cen[3]	NAND	Bi-dir. 2 mA / 4 mA	PU	K3	U3	-
nand_cen[2]	NAND	Bi-dir. 2 mA / 4 mA	PU	T2	T3	-
nand_cen[1]	NAND	Bi-dir. 2 mA / 4 mA	PU	R2	R3	-
nand_cen[0]	NAND	Bi-dir. 2 mA / 4 mA	PU	P2	P3	-
nand_ale	NAND	Bi-dir. 2 mA / 4 mA	none	L3	V3	-

Pin Name	Power Domain	PAD Type	Default PU/PD	CV2201 Ball	CV2202 Ball	CV2203 Ball
nand_cle	NAND	Bi-dir. 2 mA / 4 mA	none	M3	P4	-
nand_D[0]	NAND	Bi-dir. 2 mA / 4 mA	none	N3	R4	-
nand_D[1]	NAND	Bi-dir. 2 mA / 4 mA	none	P3	T4	-
nand_D[2]	NAND	Bi-dir. 2 mA / 4 mA	none	K4	U4	-
nand_D[3]	NAND	Bi-dir. 2 mA / 4 mA	none	N4	V4	-
nand_D[4]	NAND	Bi-dir. 2 mA / 4 mA	none	P4	R5	-
nand_D[5]	NAND	Bi-dir. 2 mA / 4 mA	none	K5	T5	-
nand_D[6]	NAND	Bi-dir. 2 mA / 4 mA	none	N5	U5	-
nand_D[7]	NAND	Bi-dir. 2 mA / 4 mA	none	N6	V5	-
wp_N	NAND	Input	none	-	-	K5
DAC						
DAC_comp	DAC	Analog I/O	none	L2	T1	N2
DAC_vref_out	DAC	Analog I/O	none	M1	T2	P2
DAC_rset	DAC	Analog I/O	none	M2	U2	N3
DAC_vref_in	DAC	Analog I/O	none	N2	U1	P3
DAC_io	DAC	Analog I/O	none	L1	R1	N1
Display Interface Port						
dip_D[0]	DIP	Bi-dir. 4 mA / 8 mA	PD	K16	L16	M8 ⁽¹⁾
dip_D[1]	DIP	Bi-dir. 4 mA / 8 mA	PU	K15	L15	N8 ⁽¹⁾
dip_D[2]	DIP	Bi-dir. 4 mA / 8 mA	PD	K14	L14	P8 ⁽¹⁾
dip_D[3]	DIP	Bi-dir. 4 mA / 8 mA	PD	K13	M16	M9 ⁽¹⁾
dip_D[4]	DIP	Bi-dir. 4 mA / 8 mA	PU	J13	M15	N9 ⁽¹⁾
dip_D[5]	DIP	Bi-dir. 4 mA / 8 mA	PD	L16	M14	P9 ⁽¹⁾
dip_D[6]	DIP	Bi-dir. 4 mA / 8 mA	PD	L15	N18	L10 ⁽¹⁾
dip_D[7]	DIP	Bi-dir. 4 mA / 8 mA	PD	L14	N17	M10 ⁽¹⁾
dip_D[8]	DIP	Bi-dir. 4 mA / 8 mA	PD	L13	N16	-
dip_D[9]	DIP	Bi-dir. 4 mA / 8 mA	none	M16	N15	-
dip_D[10]	DIP	Bi-dir. 4 mA / 8 mA	none	M15	N14	-
dip_D[11]	DIP	Bi-dir. 4 mA / 8 mA	none	M14	P18	-
dip_D[12]	DIP	Bi-dir. 4 mA / 8 mA	none	M13	P17	-
dip_D[13]	DIP	Bi-dir. 4 mA / 8 mA	none	N16	P16	-
dip_D[14]	DIP	Bi-dir. 4 mA / 8 mA	none	N15	P15	-
dip_D[15]	DIP	Bi-dir. 4 mA / 8 mA	none	N14	R18	-
dip_D[16]	DIP	Bi-dir. 4 mA / 8 mA	none	N13	R17	-
dip_D[17]	DIP	Bi-dir. 4 mA / 8 mA	none	P16	R16	-
dip_D[18]	DIP	Bi-dir. 4 mA / 8 mA	none	P15	T18	-
dip_D[19]	DIP	Bi-dir. 4 mA / 8 mA	none	R16	T17	-
dip_D[20]	DIP	Bi-dir. 4 mA / 8 mA	none	R15	U18	-
dip_D[21]	DIP	Bi-dir. 4 mA / 8 mA	none	T16	U17	-

Pin Name	Power Domain	PAD Type	Default PU/PD	CV2201 Ball	CV2202 Ball	CV2203 Ball
dip_D[22]	DIP	Bi-dir. 4 mA / 8 mA	none	T15	V18	-
dip_D[23]	DIP	Bi-dir. 4 mA / 8 mA	none	T14	V17	-
dip_RS	DIP	Output 4 mA / 8 mA	none	R14	U16	-
dip_CSn0	DIP	Output 4 mA / 8 mA	PU	R13	V16	-
dip_CSn1	DIP	Output 4 mA / 8 mA	PU	T13	V15	-
dip_CSn2	DIP	Bi-dir. 4 mA / 8 mA	PU	R12	U15	-
dip_CSn3	DIP	Bi-dir. 4 mA / 8 mA	PU	P12	R15	-
dip_Wrn	DIP	Output 4 mA / 8 mA	none	N12	R14	-
dip_OEn	DIP	Bi-dir. 4 mA / 8 mA	none	R11	P14	-
dip_pclk	DIP	Bi-dir. 4 mA / 8 mA	none	N11	P13	-
dip_cpu_vsync	DIP	Bi-dir. 4 mA / 8 mA	none	P11	R13	-
UART						
uart_Rx	MISCIF	Bi-dir. 2 mA / 4 mA	none	A2	E2	C4
uart_Tx	MISCIF	Bi-dir. 2 mA / 4 mA	none	B1	E3	C3
uart_cts	MISCIF	Bi-dir. 2 mA / 4 mA	none	B2	D4	C2
uart_rts	MISCIF	Bi-dir. 2 mA / 4 mA	none	C1	E4	C1
SPI						
spi_Clk	MISCIF	Bi-dir. 2 mA / 4 mA	none	C2	F1	D4
spi_CS	MISCIF	Bi-dir. 2 mA / 4 mA	PU	C3	F2	D3
spi_Tx	MISCIF	Bi-dir. 2 mA / 4 mA	none	C4	F3	D2
spi_Rx	MISCIF	Bi-dir. 2 mA / 4 mA	none	C5	F4	D1
spi1_Clk	MISCIF	Bi-dir. 2 mA / 4 mA	none	D1	G1	E4
spi1_CS	MISCIF	Bi-dir. 2 mA / 4 mA	PU	D2	G2	E3
spi1_Tx	MISCIF	Bi-dir. 2 mA / 4 mA	none	D3	G3	E2
spi1_Rx	MISCIF	Bi-dir. 2 mA / 4 mA	none	D4	G4	E1
Media Storage						
sd_clk	SDMMC	Bi-dir. 4 mA / 8 mA	none	F1	J1	G4
sd_cmd	SDMMC	Bi-dir. 4 mA / 8 mA	none	F2	J2	G3
sd_D[0]	SDMMC	Bi-dir. 4 mA / 8 mA	none	F3	J3	G2
sd_D[1]	SDMMC	Bi-dir. 4 mA / 8 mA	none	G1	J4	G1
sd_D[2]	SDMMC	Bi-dir. 4 mA / 8 mA	none	G2	H5	H1
sd_D[3]	SDMMC	Bi-dir. 4 mA / 8 mA	none	G3	J5	H2
Audio						
audio_clkr	AUDIO	Bi-dir. 2 mA / 4 mA	none	P10	P12	-
audio_clkx	AUDIO	Bi-dir. 2 mA / 4 mA	none	N10	R11	-
audio_dr	AUDIO	Bi-dir. 2 mA / 4 mA	none	M10	P11	-
audio_dx	AUDIO	Bi-dir. 2 mA / 4 mA	none	N9	R10	-
audio_fsr	AUDIO	Bi-dir. 2 mA / 4 mA	none	M9	P10	-
audio_fsx	AUDIO	Bi-dir. 2 mA / 4 mA	none	N8	R9	-

Pin Name	Power Domain	PAD Type	Default PU/PD	CV2201 Ball	CV2202 Ball	CV2203 Ball
mclk	AUDIO	Bi-dir. 2 mA / 4 mA	none	M8	P9	-
MP2TS						
mp2ts_clk	MISCIF	Input	n.a.	E1	H1	F4
mp2ts_valid	MISCIF	Input	n.a.	E2	H2	F3
mp2ts_sync	MISCIF	Input	n.a.	E3	H3	F2
mp2ts_data	MISCIF	Input	n.a.	E4	H4	F1
USB						
usb_phy_id	USB	USB PAD	n.a.	J5	N3	L4
usb_phy_vbus	USB	USB PAD	n.a.	J4	N2	L3
usb_phy_Plus	USB	USB PAD	n.a.	K1	N1	L1
usb_phy_Minus	USB	USB PAD	n.a.	J1	M1	K1
usb_phy_res	USB	USB PAD	n.a.	J3	M2	K3
utmio_tg_drvvbus	AUDIO	Bi-dir. 4 mA / 8 mA	PU	R10	R12	-
Smart Card						
sc_io	SCCARD	Bi-dir. 4 mA / 8 mA	none	H1	K1	H3
sc_card_detect	SCCARD	Bi-dir. 4 mA / 8 mA	none	H2	K2	H4
sc_card_voltage	SCCARD	Bi-dir. 4 mA / 8 mA	none	H3	K3	J1
sc_fcb	SCCARD	Bi-dir. 4 mA / 8 mA	none	H4	K4	J2
sc_clk	SCCARD	Bi-dir. 4 mA / 8 mA	PU	H5	L1	J3
sc_power_on	SCCARD	Bi-dir. 4 mA / 8 mA	none	H6	L2	J4
sc_rst	SCCARD	Bi-dir. 4 mA / 8 mA	none	J6	L3	K4
SDRAM						
DMCLK	SDRAM	Output 4 mA / 8 mA	none	-	V6	-
DMCLKn	SDRAM	Output 4 mA / 8 mA	none	-	V7	-
A[0]	SDRAM	Output 4 mA / 8 mA	none	-	T11	-
A[1]	SDRAM	Output 4 mA / 8 mA	none	-	V12	-
A[2]	SDRAM	Output 4 mA / 8 mA	none	-	U12	-
A[3]	SDRAM	Output 4 mA / 8 mA	none	-	T12	-
A[4]	SDRAM	Output. 4 mA / 8 mA	none	-	U6	-
A[5]	SDRAM	Output 4 mA / 8 mA	none	-	T6	-
A[6]	SDRAM	Output 4 mA / 8 mA	none	-	U7	-
A[7]	SDRAM	Output 4 mA / 8 mA	none	-	T7	-
A[8]	SDRAM	Output 4 mA / 8 mA	none	-	V8	-
A[9]	SDRAM	Output 4 mA / 8 mA	none	-	U8	-
A[10]	SDRAM	Output 4 mA / 8 mA	none	-	U11	-
A[11]	SDRAM	Output 4 mA / 8 mA	none	-	T8	-
A[12]	SDRAM	Output 4 mA / 8 mA	none	-	V13	-
CKE	SDRAM	Output. 4 mA / 8 mA	none	-	V9	-
WEn	SDRAM	Output 4 mA / 8 mA	none	-	U9	-

Pin Name	Power Domain	PAD Type	Default PU/PD	CV2201 Ball	CV2202 Ball	CV2203 Ball
CASn	SDRAM	Output 4 mA / 8 mA	none	-	T9	-
RASn	SDRAM	Output 4 mA / 8 mA	none	-	V10	-
CSn	SDRAM	Output 4 mA / 8 mA	none	-	U10	-
BA[0]	SDRAM	Output 4 mA / 8 mA	none	-	T10	-
BA[1]	SDRAM	Output 4 mA / 8 mA	none	-	V11	-
DM[0]	SDRAM	Output 4 mA / 8 mA	none	-	C14	-
DM[1]	SDRAM	Output 4 mA / 8 mA	none	-	C13	-
DM[2]	SDRAM	Output 4 mA / 8 mA	none	-	A6	-
DM[3]	SDRAM	Output 4 mA / 8 mA	none	-	A5	-
DQS[0]	SDRAM	Bi-dir. 4 mA / 8 mA	none	-	A13	-
DQS[1]	SDRAM	Bi-dir. 4 mA / 8 mA	none	-	B13	-
DQS[2]	SDRAM	Bi-dir. 4 mA / 8 mA	none	-	B6	-
DQS[3]	SDRAM	Bi-dir. 4 mA / 8 mA	none	-	C6	-
DQ[0]	SDRAM	Bi-dir. 4 mA / 8 mA	none	-	A16	-
DQ[1]	SDRAM	Bi-dir. 4 mA / 8 mA	none	-	B16	-
DQ[2]	SDRAM	Bi-dir. 4 mA / 8 mA	none	-	C16	-
DQ[3]	SDRAM	Bi-dir. 4 mA / 8 mA	none	-	A15	-
DQ[4]	SDRAM	Bi-dir. 4 mA / 8 mA	none	-	B15	-
DQ[5]	SDRAM	Bi-dir. 4 mA / 8 mA	none	-	C15	-
DQ[6]	SDRAM	Bi-dir. 4 mA / 8 mA	none	-	A14	-
DQ[7]	SDRAM	Bi-dir. 4 mA / 8 mA	none	-	B14	-
DQ[8]	SDRAM	Bi-dir. 4 mA / 8 mA	none	-	A12	-
DQ[9]	SDRAM	Bi-dir. 4 mA / 8 mA	none	-	B12	-
DQ[10]	SDRAM	Bi-dir. 4 mA / 8 mA	none	-	C12	-
DQ[11]	SDRAM	Bi-dir. 4 mA / 8 mA	none	-	A11	-
DQ[12]	SDRAM	Bi-dir. 4 mA / 8 mA	none	-	B11	-
DQ[13]	SDRAM	Bi-dir. 4 mA / 8 mA	none	-	C11	-
DQ[14]	SDRAM	Bi-dir. 4 mA / 8 mA	none	-	A10	-
DQ[15]	SDRAM	Bi-dir. 4 mA / 8 mA	none	-	B10	-
DQ[16]	SDRAM	Bi-dir. 4 mA / 8 mA	none	-	C10	-
DQ[17]	SDRAM	Bi-dir. 4 mA / 8 mA	none	-	A9	-
DQ[18]	SDRAM	Bi-dir. 4 mA / 8 mA	none	-	B9	-
DQ[19]	SDRAM	Bi-dir. 4 mA / 8 mA	none	-	A8	-
DQ[20]	SDRAM	Bi-dir. 4 mA / 8 mA	none	-	B8	-
DQ[21]	SDRAM	Bi-dir. 4 mA / 8 mA	none	-	A7	-
DQ[22]	SDRAM	Bi-dir. 4 mA / 8 mA	none	-	B7	-
DQ[23]	SDRAM	Bi-dir. 4 mA / 8 mA	none	-	C7	-
DQ[24]	SDRAM	Bi-dir. 4 mA / 8 mA	none	-	B5	-
DQ[25]	SDRAM	Bi-dir. 4 mA / 8 mA	none	-	C5	-

Pin Name	Power Domain	PAD Type	Default PU/PD	CV2201 Ball	CV2202 Ball	CV2203 Ball
DQ[26]	SDRAM	Bi-dir. 4 mA / 8 mA	none	-	A4	-
DQ[27]	SDRAM	Bi-dir. 4 mA / 8 mA	none	-	B4	-
DQ[28]	SDRAM	Bi-dir. 4 mA / 8 mA	none	-	C4	-
DQ[29]	SDRAM	Bi-dir. 4 mA / 8 mA	none	-	A3	-
DQ[30]	SDRAM	Bi-dir. 4 mA / 8 mA	none	-	B3	-
DQ[31]	SDRAM	Bi-dir. 4 mA / 8 mA	none	-	C3	-
System Signals & JTAG						
Clkin	OSC	Oscillator pad	n.a.	H16	M18	K14
Clkout	OSC	Oscillator pad	n.a.	J16	L18	J14
resetN	HPI	Input	none	H11	K14	H12
hw_deep_secure	DIP	Input	none	P13	T16	-
rtck	MISCIF	Output 4 mA / 8 mA	none	A3	A1	A3
tck	MISCIF	Input	PU	A4	A2	A2
Ntrst	MISCIF	Input	PD	B5	B1	A1
tdi	MISCIF	Input	PU	B6	B2	B3
tdo	MISCIF	Output 4 mA / 8 mA	none	B3	C1	B2
tms	MISCIF	Input	PU	B4	C2	B1
testmode	MISCIF	Input	PD	A1	E1	P11
pkg_opt0 ⁽²⁾	SDRAM	Input	none	-	T14	-
pkg_opt1 ⁽²⁾	SDRAM	Input	none	-	U14	-
pkg_opt2 ⁽²⁾	SDRAM	Input	none	-	V14	-
jtag_sel_p0 ⁽²⁾	MISCIF	Input	none	-	D3	-
jtag_sel_p1 ⁽²⁾	MISCIF	Input	none	-	D2	-
jtag_sel_p2 ⁽²⁾	MISCIF	Input	none	-	D1	-
No Connects						
NC	-	-	-	A5, A6, A7, A8, A9, A10, A11, A12, A13, A14, A15, M7, N7, P5, P6, P7, P8, P9, R4, R5, R6, R7, R8, R9, T3, T4, T5, T6, T7, T8, T9, T10, T11, T12, A16, B16, B15, B14, B12, C16, B13, C13,	U13, T13, A18, A17, B18, B17, C17, D18, C18, D15, E18, E17, E16, E15, E14, E13, F16	N10, L11, M11, N11, N12, M12, L12, L14, A10, A11, A12, A13, B11, B12, A14, C11, C12, C13, C14, D11, D12, D13, D14

Pin Name	Power Domain	PAD Type	Default PU/PD	CV2201 Ball	CV2202 Ball	CV2203 Ball
				D16, D15, D14, D13, E16, E15, E14		
Reserved Pins						
reserved_1	HPI	Bi-dir. 2 mA / 4 mA	none	C14	D16	B14
reserved_2	HPI	Bi-dir. 2 mA / 4 mA	PD	C15	D17	B13
reserved_3	HPI	Bi-dir. 2 mA / 4 mA	none	G11	J14	H11
reserved_4	HPI	Bi-dir. 2 mA / 4 mA	none	H13	K16	G12
reserved_5	HPI	Bi-dir. 2 mA / 4 mA	none	G12	J15	G13
reserved_6	HPI	Bi-dir. 2 mA / 4 mA	none	H12	K15	G14
reserved_7	HPI	Bi-dir. 4 mA / 8 mA	none	G14	H14	F14
reserved_8	HPI	Bi-dir. 4 mA / 8 mA	none	G15	H15	F13
reserved_9	HPI	Bi-dir. 4 mA / 8 mA	none	G16	H16	F12
reserved_10	HPI	Bi-dir. 4 mA / 8 mA	none	F13	G14	F11
reserved_11	HPI	Bi-dir. 4 mA / 8 mA	none	F14	G15	E14
reserved_12	HPI	Bi-dir. 4 mA / 8 mA	none	F15	G16	E13
reserved_13	HPI	Bi-dir. 4 mA / 8 mA	none	F16	F14	E12
reserved_14	HPI	Bi-dir. 4 mA / 8 mA	none	E13	F15	E11
reserved_15	HPI	Bi-dir. 2 mA / 4 mA	none	G13	J16	G11
reserved_16	NAND	Input	none	-	-	K12
reserved_17	DIP	Bi-dir. 4 mA / 8 mA	none	-	-	P13
reserved_18	DIP	Bi-dir. 4 mA / 8 mA	none	-	-	P12
reserved_19	NAND	Bi-dir. 2 mA / 4 mA	PU	-	-	N4
reserved_20	NAND	Bi-dir. 2 mA / 4 mA	PU	-	-	P4
reserved_21	NAND	Bi-dir. 2 mA / 4 mA	PU	-	-	N5
reserved_22	NAND	Bi-dir. 2 mA / 4 mA	PU	-	-	P5
reserved_23	DIP	Bi-dir. 4 mA / 8 mA	none	-	-	N14
reserved_24	DIP	Bi-dir. 4 mA / 8 mA	none	-	-	M14
reserved_25	NAND	Bi-dir. 2 mA / 4 mA	none	-	-	P6

Pin Name	Power Domain	PAD Type	Default PU/PD	CV2201 Ball	CV2202 Ball	CV2203 Ball
reserved_26	DIP	Bi-dir. 4 mA / 8 mA	none	-	-	P14
reserved_27	DIP	Bi-dir. 4 mA / 8 mA	none	-	-	L13
reserved_28	DIP	Bi-dir. 4 mA / 8 mA	none	-	-	M13
reserved_29	DIP	Bi-dir. 4 mA / 8 mA	none	-	-	N13

Notes:

(1) CV2203 does not include a display interface; 'dip_D[0:7]' pins are used only for sampling when reset is de-asserted for determining device configuration.

(2) Software queries the CV2202 pkg_opt[2:0] and jtag_sel_p[2:0] pins to determine the SDRAM used in the system. Currently CogniVue supports a 128MB Micron mobile DDR SDRAM, and the pkg_opt[2:0] and jtag_sel_p[2:0] must both be set to binary '101' (decimal value 5). Consult the factory for interfacing to any other memory.

Table 4-1: CV220X Pinout

Power Pin Name	Description	CV2201 Ball #	CV2202 Ball #	CV2203 Ball #
VDD_CORE	Core supply	G8, G9, H8, H9	J8, J10, K9, L8, L10	F6, F7, F8, H6, H7, H8
VDD_LP	Low-power audio/video supply	J7, J10, K11, K12, P14	H9, K7, K11, M9, J12, L12, T15	E9, G9, J9, K10, P10
VDDA_PLL	Analog PLL supply	J14	F18, G18, H18, J18, K18	H13
VSSA_PLL	Return for PLL VDD (DO NOT CONNECT TO GROUND)	H14	F17, G17, H17, J17, K17	H14
VDD_SDRAM	SDRAM core and EBI/SDRAM IO supply	F7,L7	G7, G8, P7, P8	D6, D8, K6, K8
VDD_OSC	Analog supply for crystal pad	J15	M17	J13
VDD_USB	Analog supply for USB	K2	M3	K2
VDDL_USB	USB core supply	-	M5	-
VDDA_DAC	Analog supply for internal DAC	P1	P2	P1
VDD_SENSOR	Sensor and I2C IO supply	F10	G10	D10
VDD_GPIO	GPIO and keyscan supply	D12	G12	-
VDD_DIP	DIP IO supply	L10	H12	-
VDD_MISCIF	MP2TS, JTAG, SPI, UART IO supply	D5	E5	-
VDD_SDMMC	SD/MMC IO supply	F4	G5	-
VDD_AUDIO	Audio IO supply	K9	M12	-
VDD_SCCARD	Smart Card power supply	G5	K5	-
VDD_IO	MP2TS, JTAG, SPI, UART, SDMMC, SCCARD, GPIO/Keyscan IO supply	-	-	E5, F10, G5, J5

Power Pin Name	Description	CV2201 Ball #	CV2202 Ball #	CV2203 Ball #
VDD_NAND	NAND Flash IO supply	L4	P5	M5, H10
VSS	Common ground	C11, C12, D6, D11, F8, F9, G4, G6, H7, H10, J8, J9, J11, J12, K6, K8, L8, L9, M4, R3	D5, F5, G9, G11, H7, H8, H10, H11, J7, J9, J11, K8, K10, K12, L4, L5, L7, L9, L11, M7, M8, M10, M11, P6, R6, R7, R8	C10, D5, D7, D9, E6, E7, E8, E10, F5, F9, G6, G7, G8, G10, H5, H9, J6, J7, J8, J10, J11, J12, K7, K9, K11, L5, L6, L7, L8, L9, M4, M6, M7, N6, N7, P7
VSS_DAC	Analog ground for internal DAC	N1	P1, R2	M1, M2, M3
VSS_USB	Analog ground for USB	J2	M4	L2
VSSL_USB	USB core ground	-	N4, N5	-
VSS_OSC	Analog ground for crystal pad	H15	L17	K13

Table 4-2: CV220X Power Pin

5 Electrical Specifications

5.1 Absolute Maximum Rating

The following table describes the absolute maximum ratings for the CV220X.

Item	Rating	Unit
I/O supply voltage	-0.2 to +3.3	V
Core supply voltage	-0.2 to +1.2	V
Input voltage for a signal pin	-0.3 to +3.3	V
Storage temperature	-40 to +85	°C
Short circuit duration (single output in high state to GND)	1	second

Table 5-1: CV220X Absolute Maximum Rating



WARNING: Permanent device damage may occur if the absolute maximum ratings are exceeded. Functional operation should be restricted to the conditions as detailed in the operational sections of this data sheet. Exposure to absolute maximum rating conditions for extended periods may affect device reliability.

5.2 Recommended Operating Ranges

The following table describes the recommended operating ranges for the CV220X. Note that IO_VDD refers to the subset of power supplies for the device I/Os as specified in Table 4-2. These supplies must be powered up before VDD_CORE is powered up.

Item	Symbol	Min.	Typ.	Max.	Unit
Core supply voltage	VDD_CORE	0.9	1.0	1.1	V
Low power audio/video voltage	VDD_LP				
I/O Supply Voltage	IO_VDD3.0	2.7	3.0	3.3	V
	IO_VDD2.8	2.52	2.8	3.08	V
	IO_VDD1.8	1.62	1.8	1.98	V
Analog PLL supply	VDDA_PLL	2.7	3.0	3.3	V
SDRAM memory supply	VDD_SDRAM	1.7	1.8	1.98	V
Voltage supply for crystal pad	VDD_OSC	2.52	2.8	3.08	V
Analog supply for USB	VDD_USB	3.0	3.3	3.6	V
Analog supply for internal DAC	VDDA_DAC	2.97	3.3	3.63	V

Item	Symbol	Min.	Typ.	Max.	Unit
Operating temperature	$T_{\text{operating}}$ (Industrial Qualified Parts)	-40		85	°C
	$T_{\text{operating}}$ (Automotive Qualified Parts)	-40		125	°C
Notes:					
1. IO_VDD = VDD_GPIO, VDD_DIP, VDD_AUDIO, VDD_NAND, VDD_SENSOR, VDD_SDMMC, VDD_MISCIF, VDD_SCCARD, VDD_IO					
2. IO_VDD must always be on.					
3. VDDA_PLL, VDD_LP must always be on.					
4. VDD_DAC and VDD_USB must be turned on/off when VDD_CORE supply is turned on/off.					

Table 5-2: CV220X Recommended Operating Range

5.3 DC Characteristics

The following table describes the DC characteristics of the CV220X.

Item	Symbol	Min.	Typ.	Max.	Unit
Power dissipation ^a	$P_{\text{stand-by}}$		TBD		mW
Input Voltage, high	$V_{\text{IH } 3.0}$	2		3.3	V
	$V_{\text{IH } 2.8}$	1.7		3.1	V
	$V_{\text{IH } 1.8}$	1.17		2.1	V
Input Voltage, low	$V_{\text{IL } 3.0}$	-0.3		0.8	V
	$V_{\text{IL } 2.8}$	-0.3		0.7	V
	$V_{\text{L } 1.8}$	-0.3		0.63	V
Output Voltage, high	V_{OH}	IO_VDD * 0.8			V
Output Voltage, low	V_{OL}			0.4	V
Output Current High (VDD=3.0V)	$I_{\text{OH } 2\text{ma}}$	2.2	6.1	11.9	mA
	$I_{\text{OH } 4\text{ma}}$	5.1	14.4	27.8	mA
	$I_{\text{OH } 8\text{ma}}$	7.3	20.5	39.6	mA
Output Current High (VDD=2.8V)	$I_{\text{OH } 2\text{ma}}$	4.6	8.6	14.2	mA
	$I_{\text{OH } 4\text{ma}}$	10.7	20.2	33.1	mA
	$I_{\text{OH } 8\text{ma}}$	15.3	28.9	47.4	mA
Output Current High (VDD=1.8V)	$I_{\text{OH } 2\text{ma}}$	1.1	2.5	4.9	mA
	$I_{\text{OH } 4\text{ma}}$	2.5	5.9	11.5	mA

Item	Symbol	Min.	Typ.	Max.	Unit
	I_{OH_8ma}	3.6	8.5	16.5	mA
Output Current Low (VDD=3.0V)	I_{OL_2ma}	2.8	5	7.8	mA
	I_{OL_4ma}	5.6	9.5	15.5	mA
	I_{OL_8ma}	8.4	15	23.5	mA
Output Current Low (VDD=2.8V)	I_{OL_2ma}	3.9	7	11	mA
	I_{OL_4ma}	7.8	13.9	21.9	mA
	I_{OL_8ma}	11.8	21.1	33.2	mA
Output Current Low (VDD=1.8V)	I_{OL_2ma}	1.4	2.8	4.8	mA
	I_{OL_4ma}	2.9	5.6	9.6	mA
	I_{OL_8ma}	4.4	8.4	14.5	mA
Input Capacitance	C_I			4	pF
a. Active standby power measurements are determined based on the following: code is loaded and running, processor and memory are active (ie. memory is not in self-refresh mode), ARM is in low power idle mode waiting for an event to wake it up and process something, and VDD_CORE is off.					

Table 5-3: CV220X DC Characteristics

5.4 AC Specifications

The following table provides the CV220X external interface timing. Figure 21 to Figure 32 illustrate specific waveforms for each interface.

Parameter	Symbol	Min.	Typ.	Max.	Unit
Reset pulse width	t1	1			usec
Input clock period	t2	10		30	MHz
Input clock rise time	t3			4	nsec
Input clock fall time	t4			4	nsec
Input clock duty cycle		40	50	60	%
Sensor pixel clock period	t5	6.25			nsec
Sensor input setup time	t6(2.8V)	4.35			nsec
	t6(1.8V)	4.15			nsec
Sensor input hold time	t7	0			nsec
DIP port pixel clock frequency	t8			70	MHz
DIP port input setup time	t9 (2.8V)	7.4			nsec
	t9 (1.8V)	9.2			nsec

Parameter	Symbol	Min.	Typ.	Max.	Unit
DIP port input hold time	t10	0			nsec
DIP port output delay time	t11 (2.8V)			5.5	nsec
	t11 (1.8V)			5.1	nsec
DIP port output hold time	t12	0			nsec
SPI port clock frequency (master)	t13			30	MHz
SPI port input setup time (master)	t14 (2.8V)	8.3			nsec
	t14 (1.8V)	11.5			nsec
SPI port output delay time (master)	t15 (2.8V)			6.3	nsec
	t15 (1.8V)			6.5	nsec
SPI port clock frequency (slave)	t13			30	MHz
SPI port input setup time (slave)	t14 (2.8V)	5.3			nsec
	t14 (1.8V)	5.2			nsec
SPI port output delay time (slave)	t15 (2.8V)			8.3	nsec
	t15 (1.8V)			11.2	nsec
audio_clk frequency	t22			50	MHz
Input data (audio_fs, audio_dr) setup time to the rising edge of audio_clk	t23(2.8V)	6.7			nsec
	t23(1.8V)	6.8			nsec
Input data (audio_fs, audio_dr) hold time from the rising edge of audio_clk	t24	0			nsec
Output data (audio_fs, audio_dx) delay time from the rising edge of audio_clk	t25 (2.8V)			12.4	nsec
	t25 (1.8V)			15.6	nsec
Output data (audio_fs, audio_dx) hold time from the rising edge of audio_clk	t26	0			nsec
MMC port clock frequency	t27			25	MHz
MMC port input setup time	t28 (2.8V)	1.8			nsec
	t28 (1.8V)	4.6			nsec
MMC port input hold time	t29	0			nsec
MMC port output delay time	t30 (2.8V)			9.9	nsec
	t30 (1.8V)			8.3	nsec
MP2TS interface clock frequency	t31			30	MHz
MP2TS interface input setup time	t32(2.8V)	4.7			nsec
	t32(1.8V)	4.5			nsec
MP2TS interface input hold time	t33	0			nsec
I2C port clock frequency	t34			10	MHz
I2C port input setup time	t35	15			nsec

Parameter	Symbol	Min.	Typ.	Max.	Unit
I2C port input hold time	t36	0			nsec
I2C port output delay time	t37			15	nsec
I2C port output hold time	t38	0			nsec
MMCplus port clock frequency	t39			52	MHz
MMCplus port input hold time	t40	5			nsec
MMCplus port input setup time	t41 (2.8V)	3.5			nsec
	t41 (1.8V)	6.6			nsec
MMCplus port output hold time	t42	3			nsec
MMCplus port output delay time	t43 (2.8V)			16.5	nsec
	t43 (1.8V)			16.7	nsec
GPS clock period	t44			20	MHz
GPS setup time	t45(2.8V)	5.1			nsec
	t45(1.8V)	5			nsec
GPS hold time	t46	0			nsec
PMI clock frequency	t47			15	MHz
PMI input setup time	t48	7			nsec
PMI input hold time	t49	26			nsec
PMI Output delay time	t50			18	nsec

Table 5-4: CV220X AC Specifications

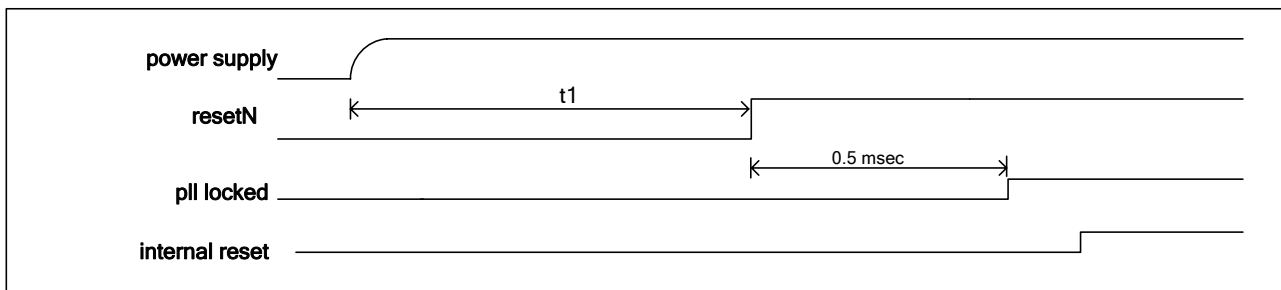


Figure 21: Reset Timing

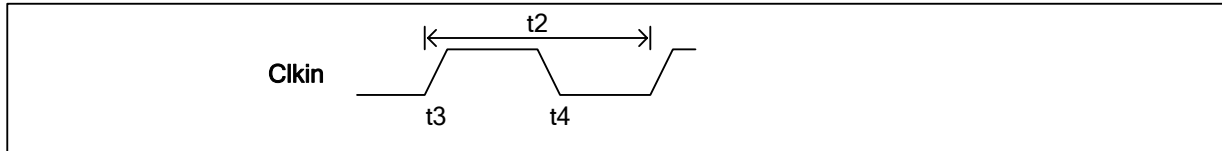


Figure 22: Input Clock Timing

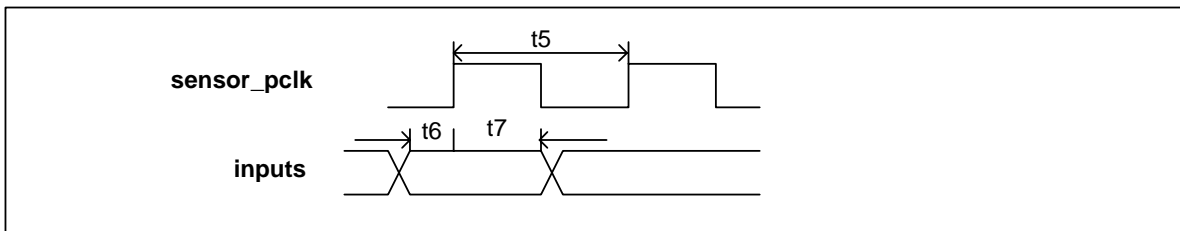


Figure 23: Sensor Interface Timing

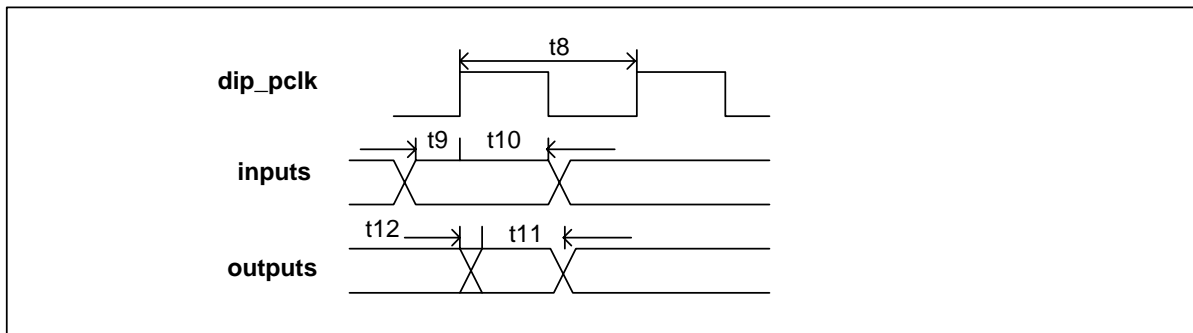


Figure 24: DIP Port Timing

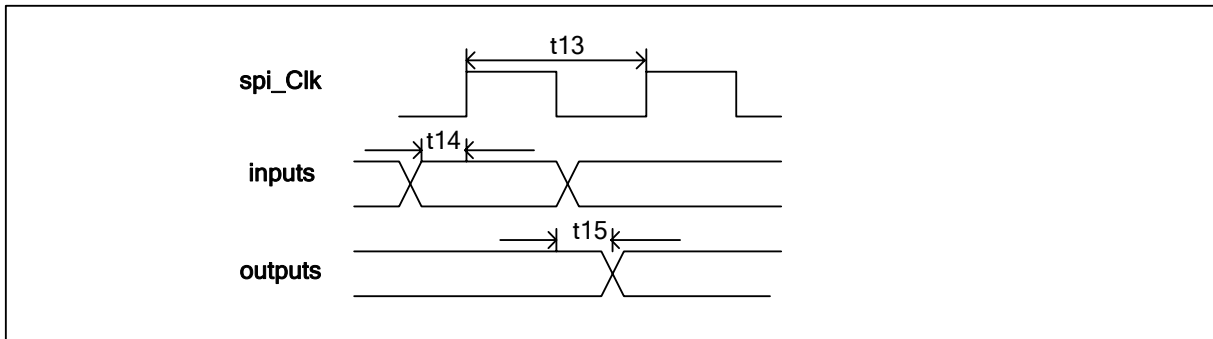


Figure 25: SPI Port Timing

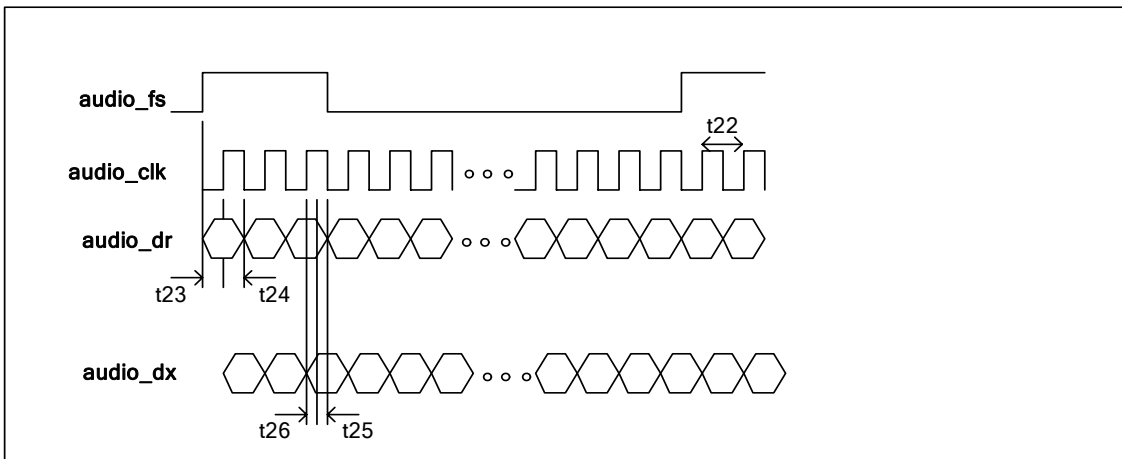


Figure 26: Audio Port Timing

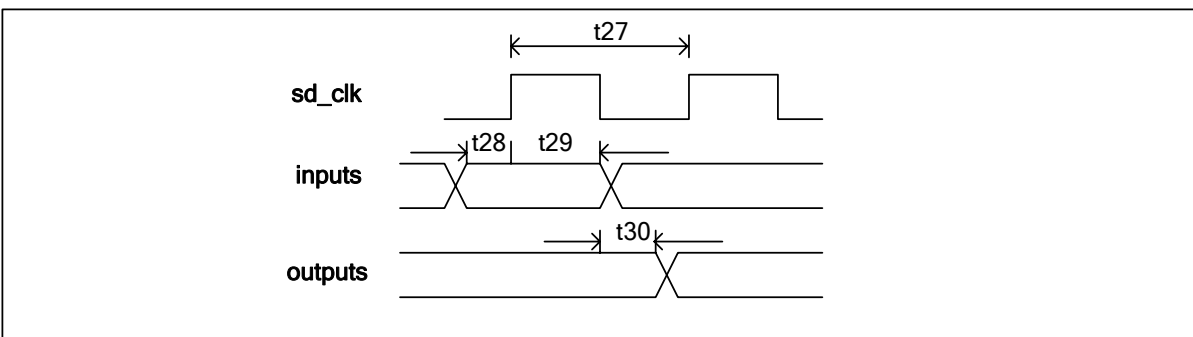


Figure 27: SD/MMC Port Timing

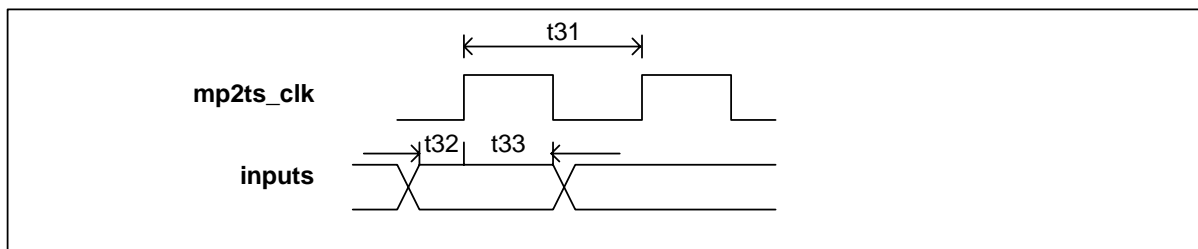


Figure 28: MP2TS Interface Timing

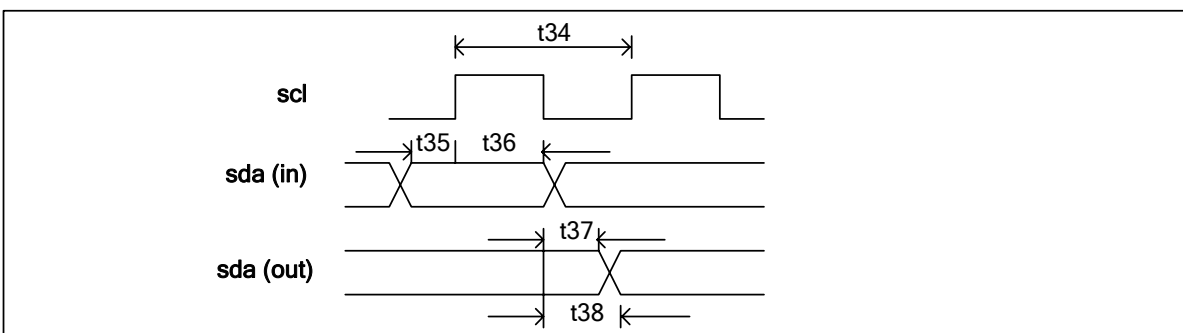


Figure 29: I2C Port Timing

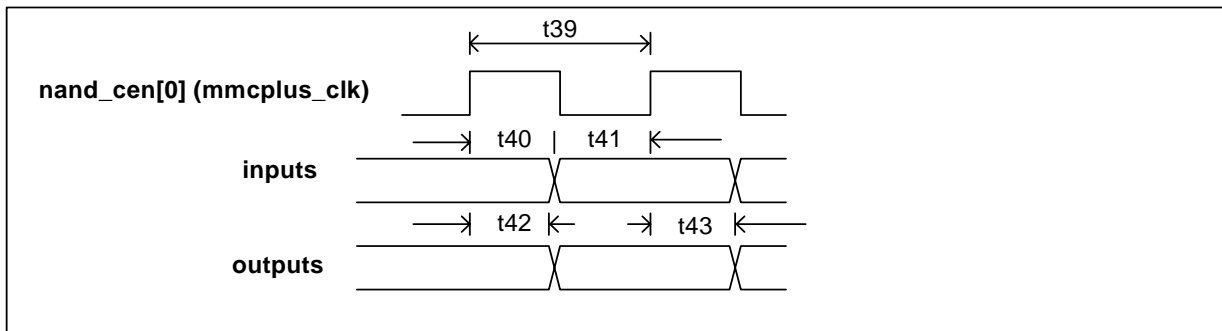


Figure 30: MMCPlus Port Timing

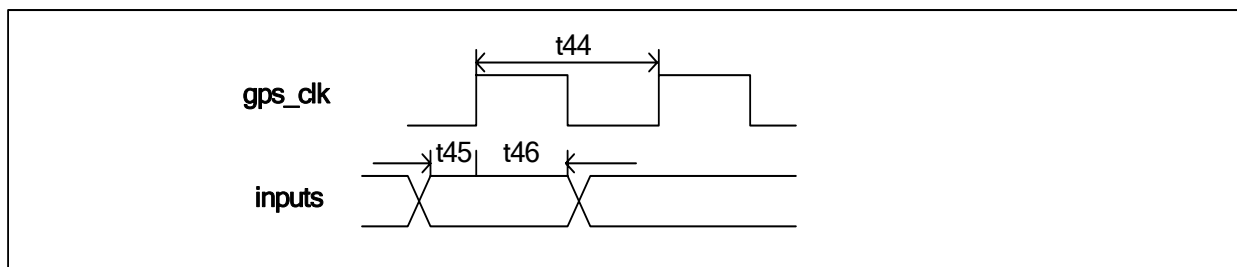


Figure 31: GPS Interface Timing

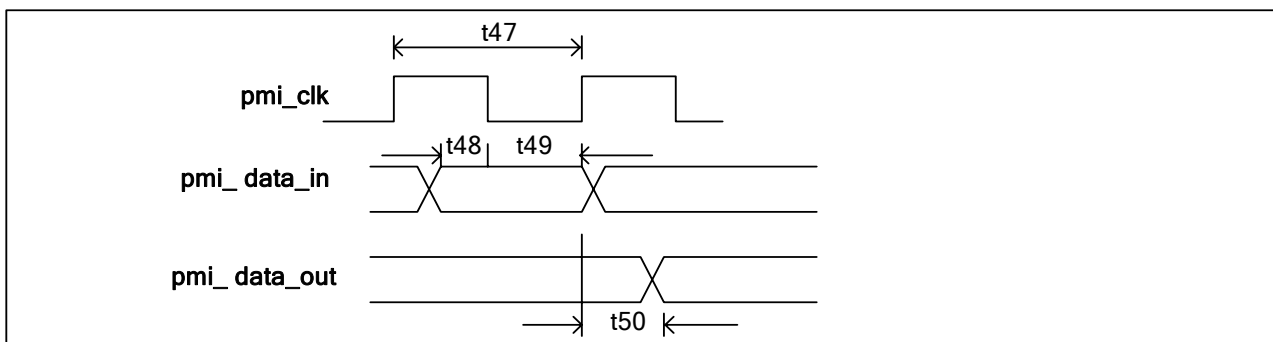


Figure 32: PMI Port Timing

6 Ordering Information

Part numbers for the CV220X family of processors are:

CV2201-350CBI

CV2202-350CBI

CV2203-350CBI

CV2203-350CBA