

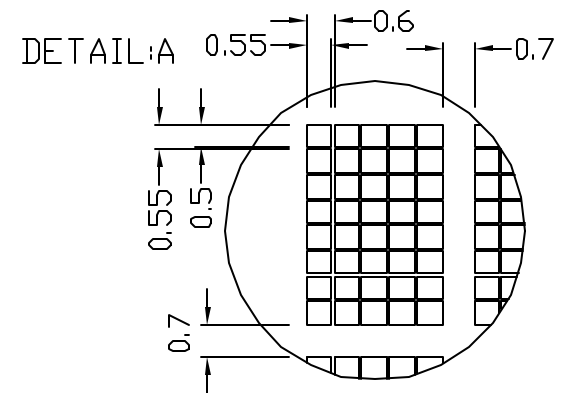
PITCH: 2.54X6=15.24


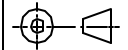
14

14-Ø1.0

1	2	3	4	5	6	7	8	9	10	11	12	13	14
DB7	DB6	DB5	DB4	DB3	DB2	DB1	DB0	E	R/WRS	VO	VSS	VDD	

- NOTES:
- 1.DISPLAY TYPE: TN, STN, or FSTN
  - 2.VIEWING DIRECTION: 6:00 or 12:00
  - 3.POLARIZER MODE: REFLECTIVE or TRANSFLECTIVE
  - 4.OPERATING TEMP: NORMAL or WIDE
  - 5.STORAGE TEMP: NORMAL or WIDE
  - 6.LCD OPERATING VOLTAGE: 4.7V
  - 7.DRIVE METHOD: 1/16 DUTY 1/5 BIAS
  - 8.BACKLIGHT: NONE, LED, or EL
  - 9.UNMARKED TOLERANCE: ±0.3mm



 <b>TIAN-MA MICROELECTRONICS CO.</b> 6/F., CASTIC Building, Shennan Road, Central, Shenzhen, China.			
			TITLE: TM162V
DRAWN BY:	CHECKED BY:	DWG NO: G-2	SCALE:
APPROVED BY:	CONFIRMED BY:	DWG NAME: TM162V BA6G-2	UNIT: mm SHEET NO: 01 OF