

Certification - French Navy

PRINCIPLE TECHNICAL CHARACTERISTICS

Waterproof limit switch (snap action)

Rounded end or roller ended actuator

Operating point adjustment by the mounting nuts and positioning washers on the mounting panel.

Weight **115 grams max**
Without cable

All stainless steel material

CONTACT ELECTRICAL CHARACTERISTICS

Load type	Electrical ratings			
	30Vdc		115Vac / 400Hz	
	Nominal rating (Amps)	Overload rating (Amps)	Nominal rating (Amps)	Overload rating (Amps)
Resistive	1	2	1	2
Inductive (L/R=5ms)	0.7	1.5	1	2
Lamp	0.2	1	0.5	1



Featuring **LEACH**® power and control solutions
www.esterline.com

AMERICAS
 6900 Orangethorpe Ave.
 P.O. Box 5032
 Buena Park, CA 90622

Tel: (01) 714-736-7599
 Fax: (01) 714-670-1145

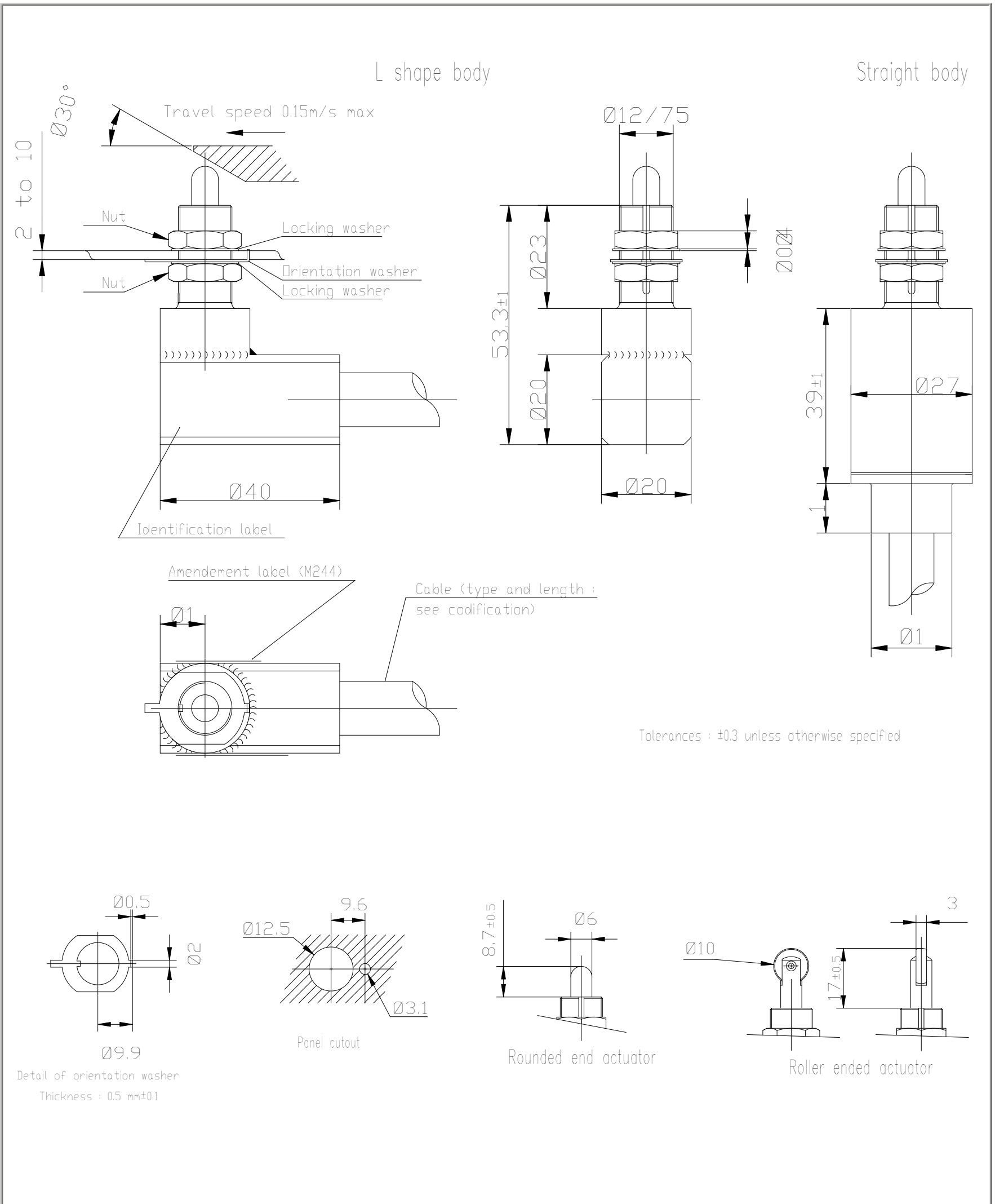
EUROPE
 2 Rue Goethe
 57430 Sarralbe
 France

Tel: (33) 3 87 97 31 01
 Fax: (33) 3 87 97 96 86

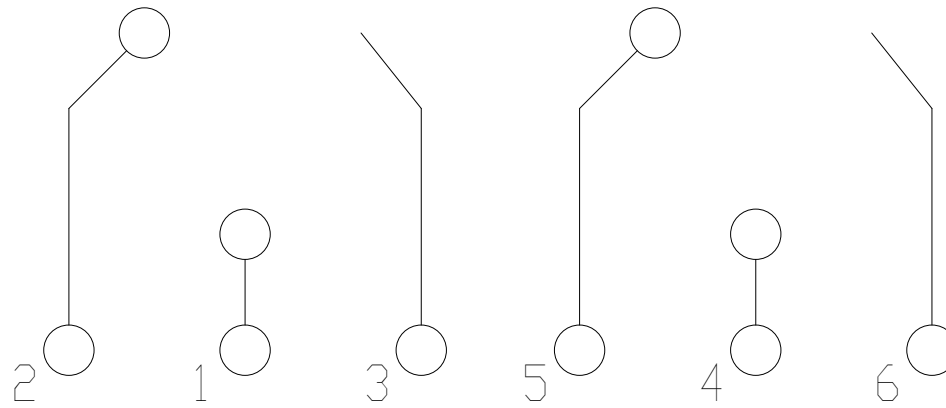
ASIA
 Units 602-603 6/F Lakeside 1
 No.8 Science Park West Avenue
 Phase Two, Hong Kong Science Park
 Pak Shek Kok, Tai Po, N.T.
 Hong Kong

Tel: (852) 2 191 3830
 Fax: (852) 2 389 5803

Data sheets are for initial product selection and comparison. Contact Esterline Power Systems prior to choosing a component.

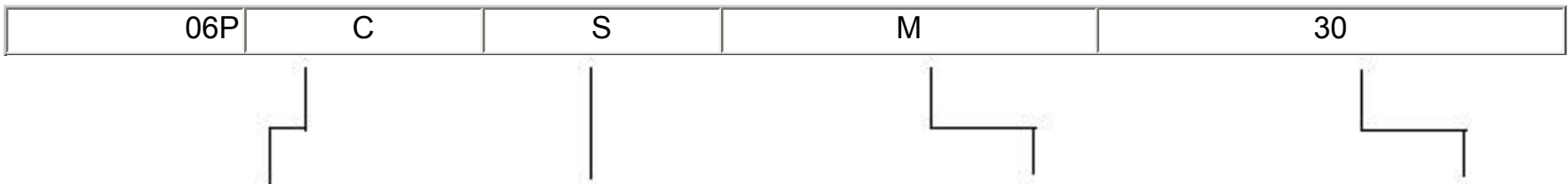


Operating temperature	-40°C to +85°C
Humidity	40% to 100%
Vibration	5g 10 to 2000 Hz
Shock	50g 11 ms
Water, dust and sand, protection level	IP 66 according to IEC 529



Cable identification

PART-NUMBER SYSTEM



Body style		Actuator style		Cable style		Cable length
Code	Description	Code	Description	Code	Cable type	Define your cable length in meter x 10
D	Straight	R	Roller ended	Z	250 MZH 7x0.75 ALNE	
C	L Shape	S	Rounded end	M	NNO 6145.14.433.8816	