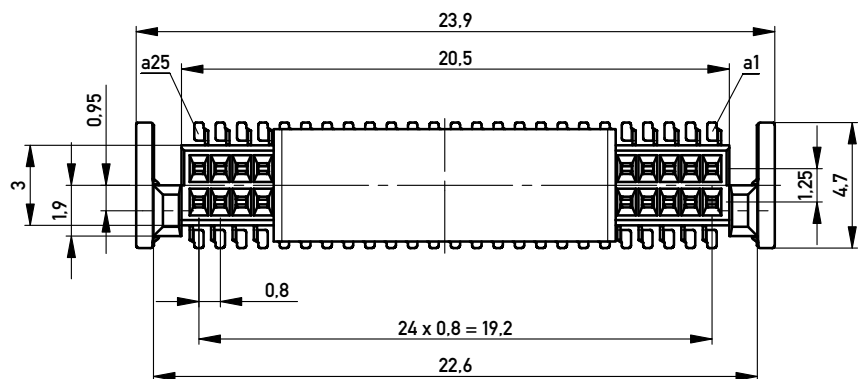
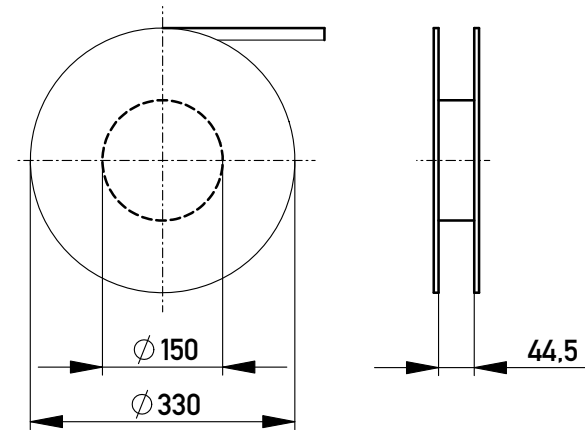
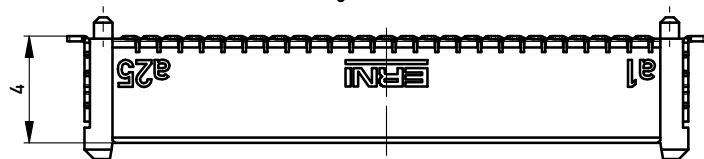


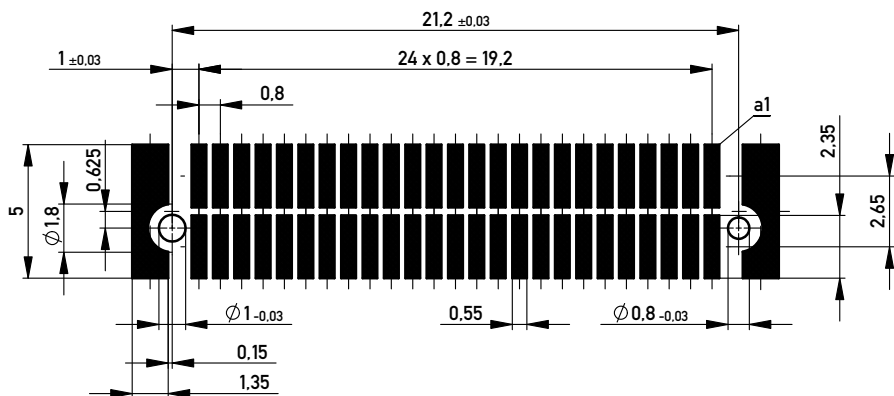
Verpackt in Gurtverpackung - *Tape on Reel Packaging*
 Verpackungseinheit: 840 Stück - *Packaging unit: 840 pcs*



ohne Ansaughaube - *without hood*



Leiterplatten-Layout Vorschlag für SMT
PCB-Layout Proposal for SMT



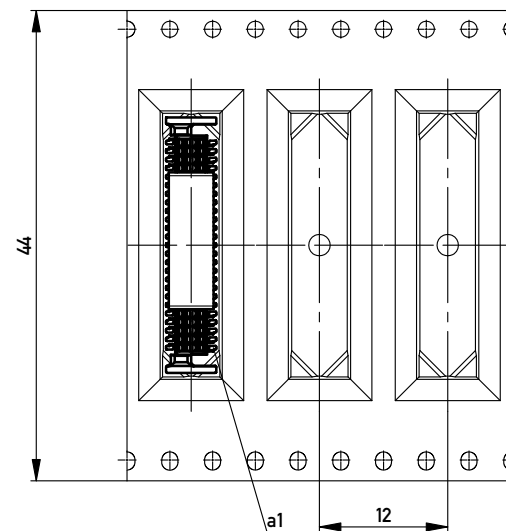
Anforderungsstufe 2
Performance Level 2

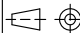

Kontaktbereich vergoldet
Mating Area gold plating

Anschlussbereich verzinkt 4-6 µm
Terminal Area 4-6 µm tin plating

Koplanarität der Anschlüsse ≤ 0,1 mm
Coplanarity Area of Termination ≤ 0,1 mm

Abspulrichtung - *Reel off Direction*



Information:		Tolerances		Scale	5:1
All rights reserved. Only for Information. To ensure that this is the latest version of this drawing, please contact one of the ERNI companies before using.		All Dimensions in mm		Designation	
Subject to modification without prior notice. Drawing will not be updated.				0,8 DRC-B, F 4mm, 50 polig 0,8 DRC-B, F 4mm, 50 pin	
www.ERNI.com		294006		I A3	
b	21.09.2012	Class		DRCB	
Index	Date				

Copyright by ERNI GmbH
 Proprietary notice pursuant to ISO 9006 to be observed.