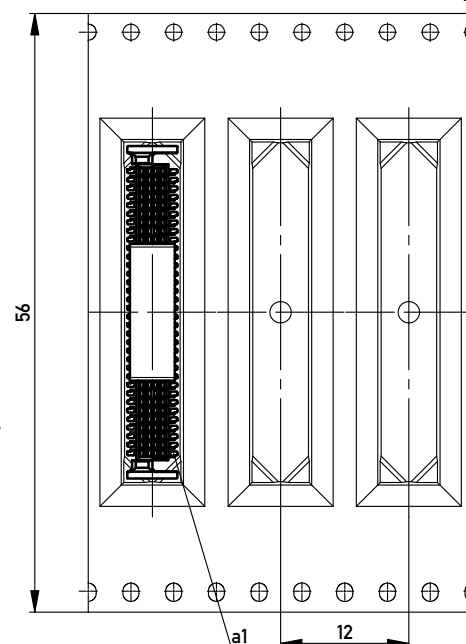
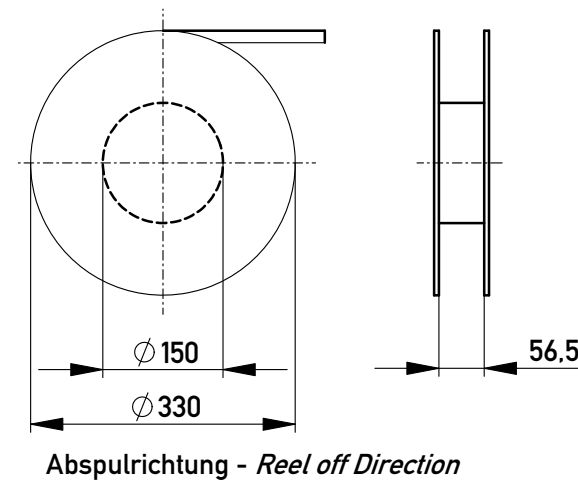
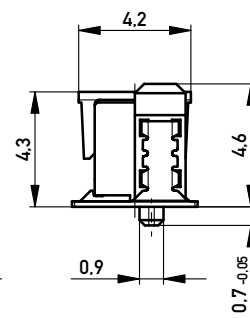
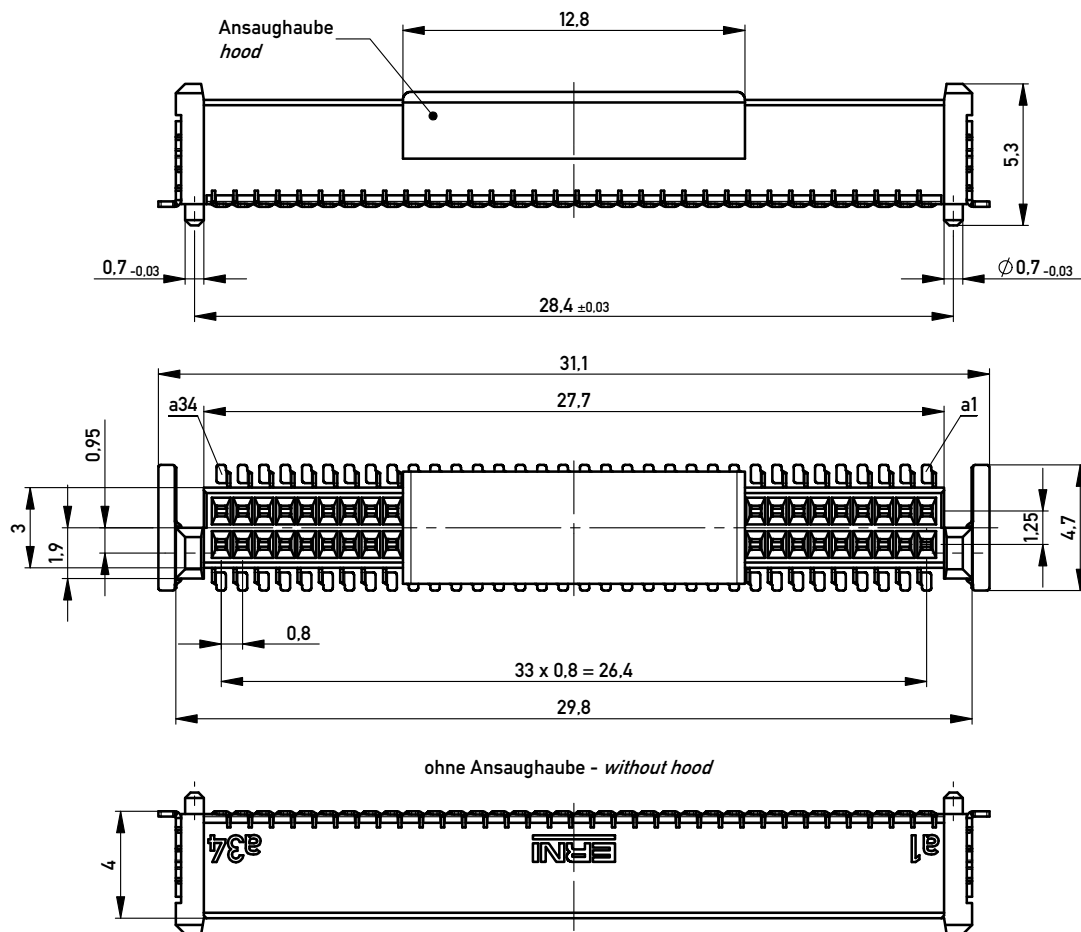


Verpackt in Gurtverpackung - *Tape on Reel Packaging*  
 Verpackungseinheit: 840 Stück - *Packaging unit: 840 pcs*



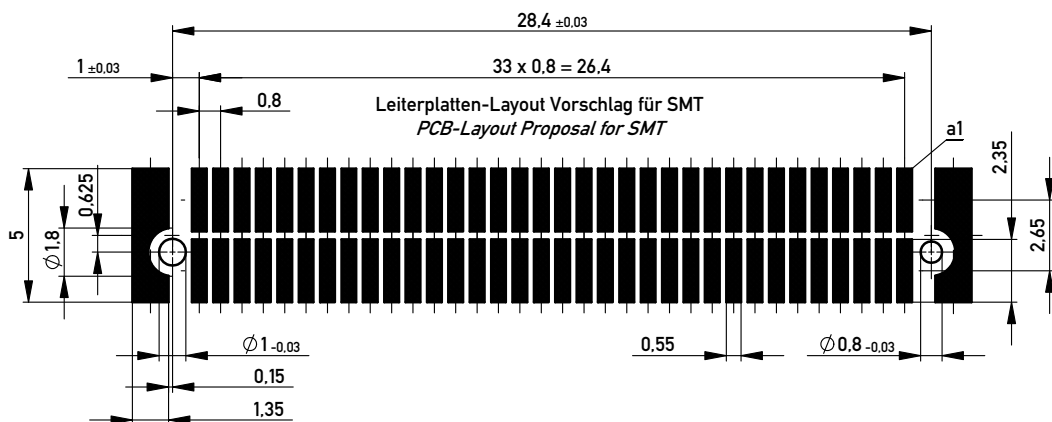
ohne Ansaughaube - *without hood*

Anforderungsstufe 2  
*Performance Level 2*

Kontaktbereich vergoldet  
*Mating Area gold plating*

Anschlussbereich verzinkt 4-6 µm  
*Terminal Area 4-6 µm tin plating*

Koplanarität der Anschlüsse ≤ 0,1 mm  
*Coplanarity Area of Termination ≤ 0.1 mm*



Leiterplatten-Layout Vorschlag für SMT  
*PCB-Layout Proposal for SMT*

Copyright by ERNI GmbH  
 Proprietary notice pursuant to ISO 9006 to be observed.

Information:		Tolerances	Scale 5:1
All rights reserved. Only for Information. To ensure that this is the latest version of this drawing, please contact one of the ERNI companies before using.		All Dimensions in mm	Designation
Subject to modification without prior notice. Drawing will not be updated.		www.ERNI.com	0,8 DRC-B, F 4mm, 68 polig 0,8 DRC-B, F 4mm, 68 pin
Index		Date	294007
Class		DRCB	I A3