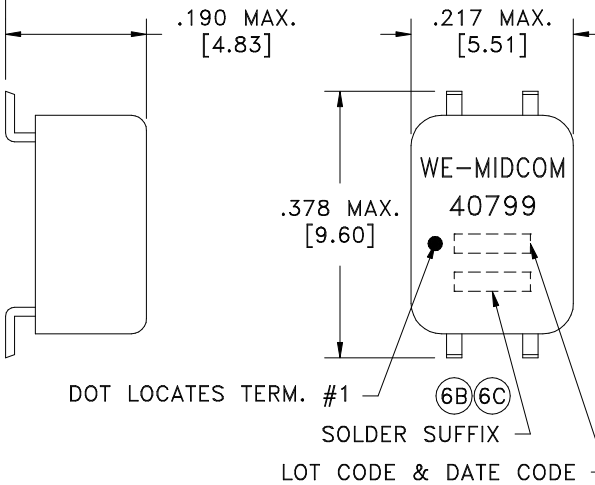
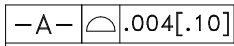
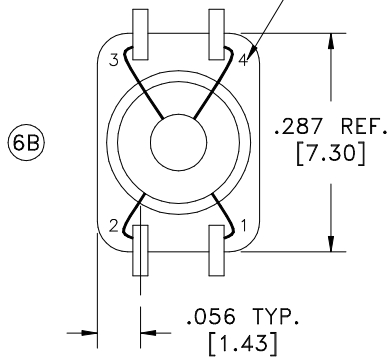
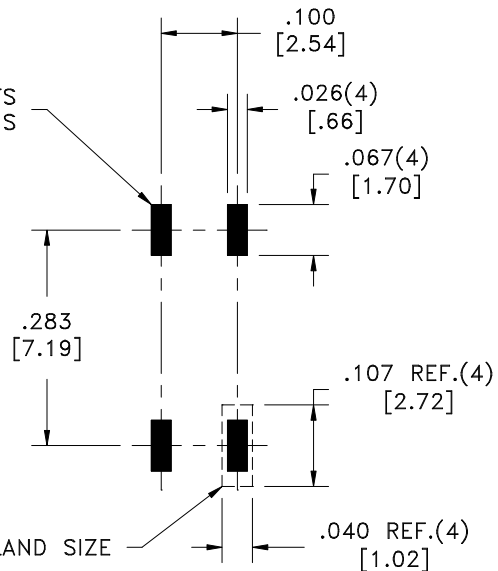


SOLDER SUFFIX	CUSTOMER TERMINAL	RoHS	LEAD(Pb)-FREE	(6C)
	Sn63%, Pb37%	No	No	
LF1	Sn96%, Ag4%	Yes	Yes	

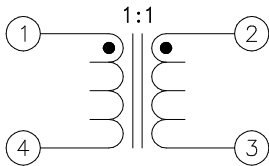
TERM. NO.'s FOR REF. ONLY



AREA REPRESENTS TERMINAL PAD DIMENSIONS




CUSTOMER TO DETERMINE LAND LAYOUT



**ELECTRICAL SPECIFICATIONS @ 25°C unless otherwise noted:**

- D.C. RESISTANCE (@20°C): 1-4, 0.65 ohms max.  
2-3, 0.65 ohms max.
- DIELECTRIC RATING: 1500VAC, 1 minute tested by applying 1875VAC for 1 second between 1-2.
- INDUCTANCE: 4.7mH +50/-30%, 10kHz, 100mVAC, 1-4, Ls.
- TURNS RATIO: (1-4):(2-3) = 1:1, ±1%.
- CURRENT RATING: 200mAAC, 50Hz.

DETAILS SUBJECT TO CHANGE

Unless otherwise specified: Tolerances: Angles: ±1° Fractions: ±1/64 Decimals: ±.005[.13]	DRAWING TITLE <h2 style="text-align: center;">INDUCTOR</h2>	 www.midcom-inc.com	DWG.# 40799R/-LF1
	eiSos p/n:		
This drawing is dual dimensioned. Dimensions in brackets are in millimeters.	REVISIONS: SEE SHEET 1	SCALE ---	SHEET 2 OF 5