

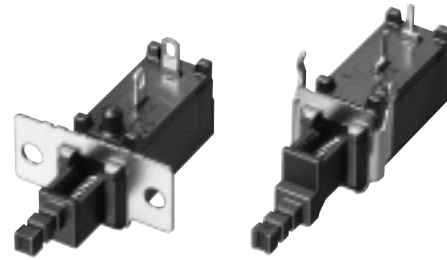
## Compact Push Type Power Switches

Malaysia

Series: **R1**

Type: **ESB92S**

High reliability type (applicable to wide range purposes)



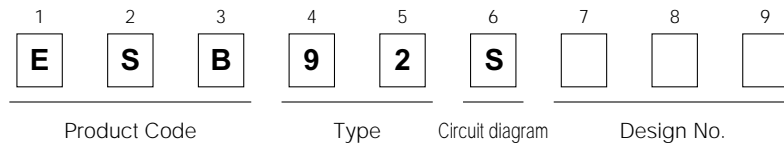
### ■ Features

- Power switches exclusively for SPST use
- Withstands inrush current up to 128 A
- Special heat resistant structure
- Meets the world's major safety standards
- Rapid switching structure, applicable to IEC60065 6th edition (Refer to the notes.)
- Cadmium-free contact

### ■ Recommended Applications

- AV Equipment: TVs and audio systems
- OA Equipment: PCs, monitors, printers, etc.

### ■ Explanation of Part Numbers



### ■ Specifications

Rating	TV-5, 5 A 250 Vac (UL, CSA) 4 A/128 A 250 Vac (European standards)		
Safety Standards	UL, CSA, VDE, BEAB, SEMKO, FIMKO, SEV, DEMKO, NEMKO		
Circuit Diagram	SPST		
Operating Force	Circuit	Lock Travel	
		1.5 mm	2.5 mm
	SPST	6.0 N±2.0 N	6.0 N±2.0 N
Travel	Lock Travel: 2.5 mm, Full Travel: 3.5 mm		
	Lock Travel: 1.5 mm, Full Travel: 2.5 mm		
Minimum Quantity/Packing Unit	50 pcs. Polyethylene Bag (Bulk)		
Quantity/Carton	600 pcs.		

\* OA equipment: PCs, monitors, printers, etc.

Design and specifications are each subject to change without notice. Ask factory for the current technical specifications before purchase and/or use. Should a safety concern arise regarding this product, please be sure to contact us immediately.

■ Dimensions in mm (not to scale)

**No. 1**  
Solder lug type

Part No.	Travel		Circuit Diagram
	Lock	Full	
ESB92S27B	2.5 mm	3.5 mm	SPST
ESB92S17B	1.5 mm	2.5 mm	

\* Mounting Spec with M3 Top

**No. 2**  
PWB mount type

Part No.	Travel		Circuit Diagram
	Lock	Full	
ESB92S21B	2.5 mm	3.5 mm	SPST
ESB92S11B	1.5 mm	2.5 mm	

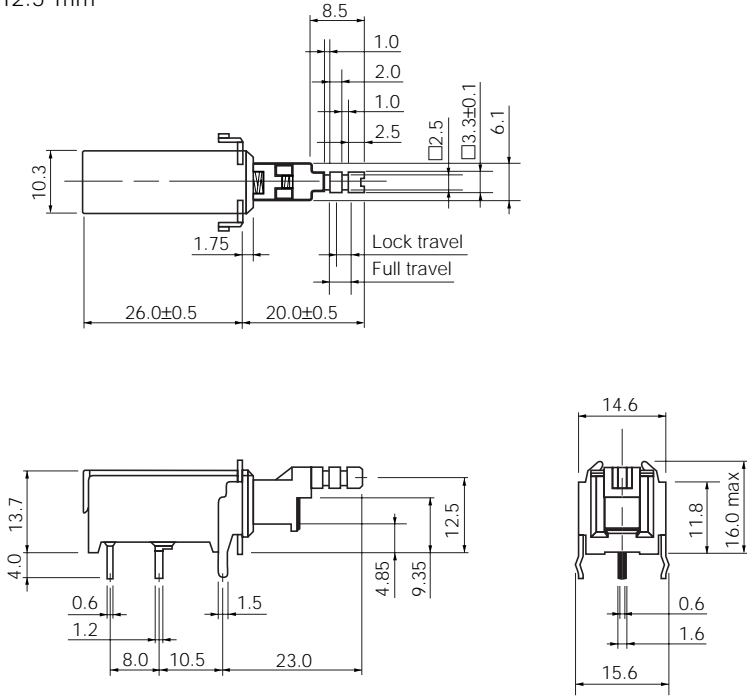
Recommended PWB piercing plan  
(t=1.60±0.05)  
View from terminal side

■ Dimensions in mm (not to scale)

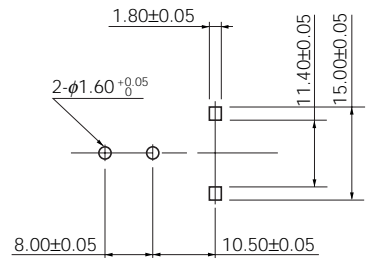
No. 3
-------

Solder lug type

(H)=12.5 mm



Part No.	Travel		Circuit Diagram
	Lock	Full	
ESB92S81B	2.5 mm	3.5 mm	SPST
ESB92S94B	1.5 mm	2.5 mm	



Recommended PWB piercing plan  
( $t=1.60\pm0.05$ )  
View from terminal side