
HD151244

Octal Buffers/Line Drivers With 3 State Outputs

HITACHI

ADE-205-596 (Z)
1st. Edition
Dec. 2000

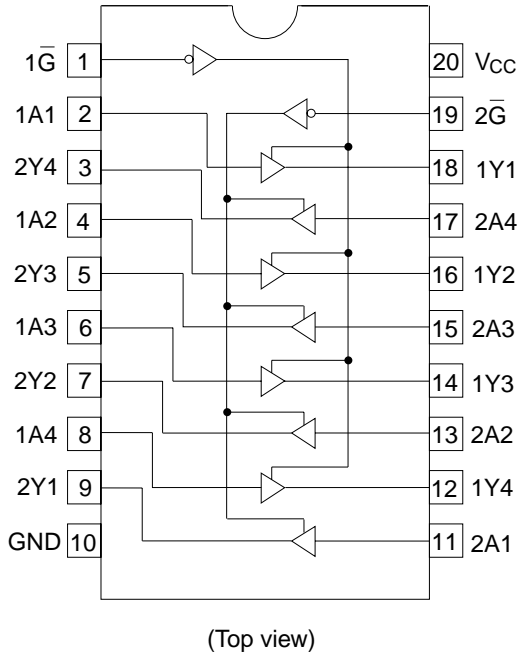
Description

The HD151244 using CMOS process, provides high speed and high drivability equivalent to HD74LS240 with super low power dissipation. The device has eight inverter drivers (three state outputs) in 20 pin package. Each four drivers construct a group and the two groups are controlled separately by $\overline{1G}$ and $\overline{2G}$ which enable the output at low level. Power up down protection function keeps the output in high impedance state at low V_{CC} regardless of the state in enable inputs.

Features

- High speed $t_{pd} = 10 \text{ ns (Typ)}$
- High output current $I_{OH} = -15 \text{ mA}$
 $I_{OL} = 24 \text{ mA}$
- Both input and output is TTL level
- Wide operating temperature: $T_a = -40 \text{ to } +85^\circ\text{C}$
- Both input and output is high impedance state at supply off
- The function provides power up down protection

Pin Arrangement



Function Table

Inputs

\bar{G}	A	Output Y
H	X	Z
L	H	H
L	L	L

H : High level

L : Low level

Z : High impedance

X : Irrelevant

Absolute Maximum Ratings ($T_a = 25^\circ\text{C}$)

Item	Symbol	Rating	Unit
Supply Voltage	V_{CC}	-0.5 to +7.0	V
Input Voltage (\bar{G} , A)	V_{IN}	-0.5 to +7.0	V
Output Voltage	V_{OUT}	-0.5 to +5.5	V
Power Dissipation	P_T	500	mW
Storage Temperature	Tstg	-65 to +150	$^\circ\text{C}$

Note: 1. The absolute maximum ratings are values which must not individually be exceeded, and furthermore, no two of which may be realized at the same time.

Recommended Operating Conditions

Item	Symbol	Min	Typ	Max	Unit
Supply Voltage	V_{CC}	4.5	5.0	5.5	V
Output Current	I_{OH}	—	—	-15	mA
	I_{OL}	—	—	24	mA
Operating Temperature	Topr	-40	25	85	$^\circ\text{C}$
Input Rise and Fall Time* ¹	t_r, t_f	0	—	250	ns/V

Note: 1. This item guarantees maximum limit when one input switches.

Waveform: Refer to test circuit of switching characteristics.

Electrical Characteristics (Ta = -40°C to +85°C)

Item	Symbol	V _{CC} (V)	Min	Max	Unit	Conditions
Input Voltage	V _{IH}	—	2.0	—	V	
	V _{IL}	—	—	0.8	V	
Output Voltage	V _{OH}	4.5	2.4	—	V	I _{OH} = -3 mA, V _{IN} = V _{CC} - 2.1 V or 0.5 V
		4.5	2.0	—		I _{OH} = -15 mA, V _{IN} = V _{CC} - 2.1V or 0.5 V
	V _{OL}	4.5	—	0.4	V	I _{OL} = 12 mA, V _{IN} = V _{CC} - 2.1 V or 0.5 V
		4.5	—	0.5		I _{OL} = 24 mA, V _{IN} = V _{CC} - 2.1 V or 0.5 V
Off State Output Current	I _{OZ}	5.5	—	±5.0	μA	V _{OUT} = V _{CC} or GND
	I _{OZ(off)}	0	—	±5.0		V _{OUT} = 5.5 V
Input Current	I _{IN}	5.5	—	±1.0	μA	V _{IN} = V _{CC} or GND
	I _{IN(off)}	0	—	±1.0		V _{IN} = 5.5 V
Output Short current* ¹	I _{OS}	5.5	-40	-225	mA	
Power Supply Current	I _{CC}	5.5	—	0.5	mA	I _{OUT} = 0 μA, V _{IN} = V _{CC} or 0.5 V
	I _{CCT} * ²	5.5	—	1.5		V _{IN} = V _{CC} - 2.1 V or 0.5 V

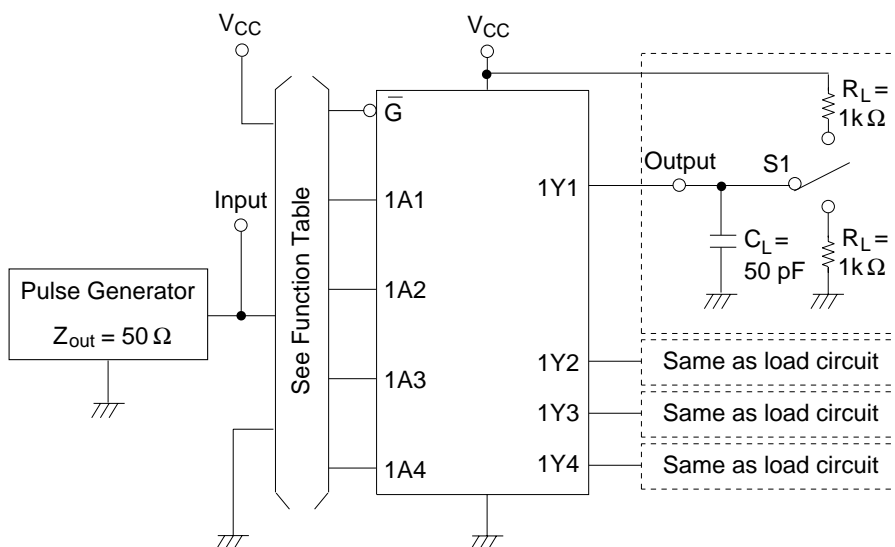
Notes: 1. Not more than one output should be shorted at a time and duration of the short circuit should not exceed one second.

2. When input by the TTL level, it shows I_{CC} increase at per 1 pin.

Switching Characteristics (C_L = 50 pF)

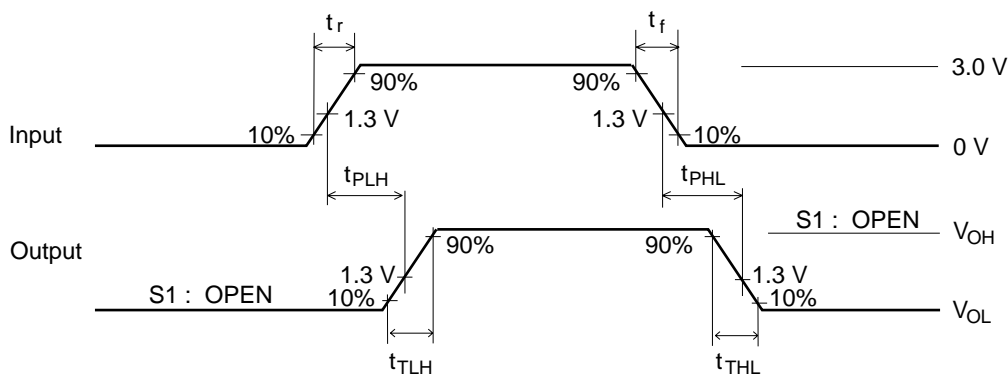
Item	Symbol	Ta = 25°C V _{CC} = 5 V		Ta = -40°C to 85°C V _{CC} = 5 V ±10%		Unit	Conditions
		Min	Max	Min	Max		
Propagation Delay Time	t _{PLH}	3.0	15.0	3.0	18.0	ns	See Next Page
	t _{PHL}	3.0	15.0	3.0	18.0		
Output Rise Time	t _{TLH}	0.0	10.0	0.0	10.0	ns	
Output Fall Time	t _{THL}	0.0	10.0	0.0	10.0		
Output Enable Time	t _{ZH}	3.0	25.0	3.0	30.0	ns	
	t _{ZL}	3.0	25.0	3.0	30.0		
Output Disable Time	t _{HZ}	3.0	25.0	3.0	30.0	ns	
	t _{LZ}	3.0	25.0	3.0	30.0		
Input Capacitance	C _{IN}	—	5 (Typ)	—	—	pF	V _{IN} = V _{CC} or GND
Output Capacitance	C _O	—	12 (Typ)	—	—	pF	V _O = V _{CC} or GND

Test Circuit 1



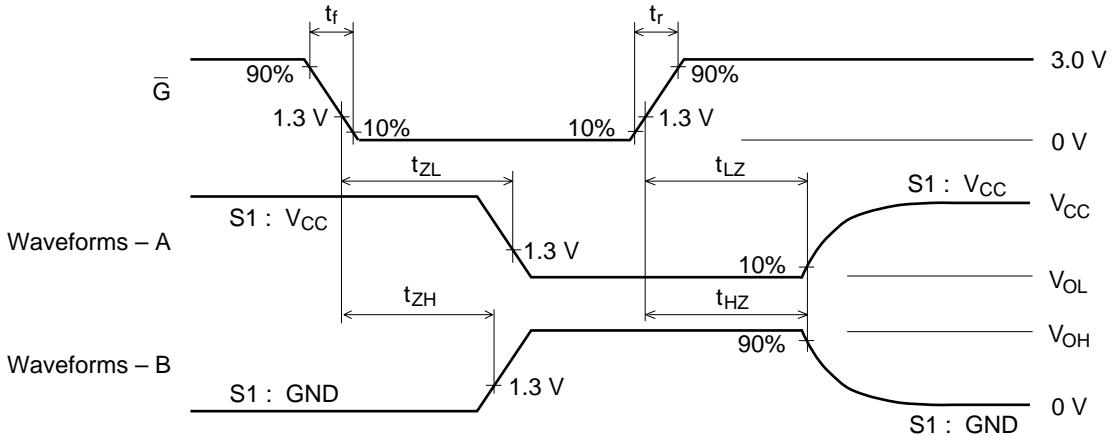
- Notes:
1. C_L includes probe and jig capacitance.
 2. 2G, 2A1-2A4 to 2Y1-2Y4 are identical to above load circuit.
 3. S1 is a input/output switch.

Waveforms 1



- Notes:
1. $t_r = 6.0 \text{ ns}$, $t_f = 6.0 \text{ ns}$
 2. Input waveforms: PRR = 1 MHz, duty cycle 50%

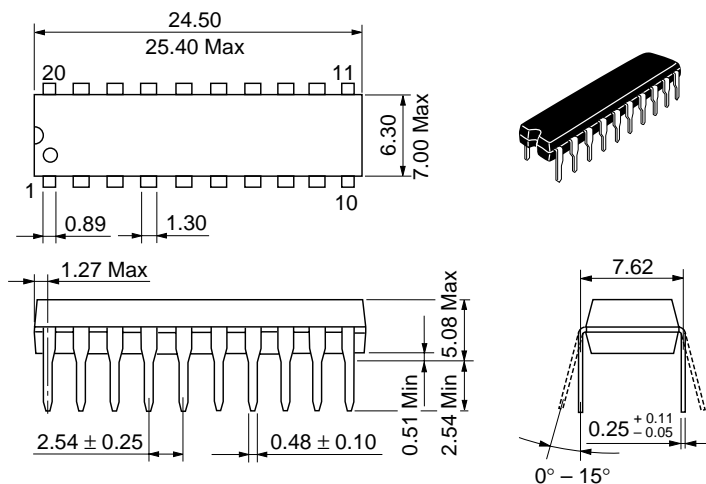
Waveforms 2



- Notes:
1. $t_r = 6.0 \text{ ns}$, $t_f = 6.0 \text{ ns}$
 2. Input waveforms: PRR = 1 MHz, duty cycle 50%
 3. Waveform - A shows input conditions such that the output is low level when enable by the output control.
 4. Waveform - B shows input conditions such that the output is high level when enable by the output control.

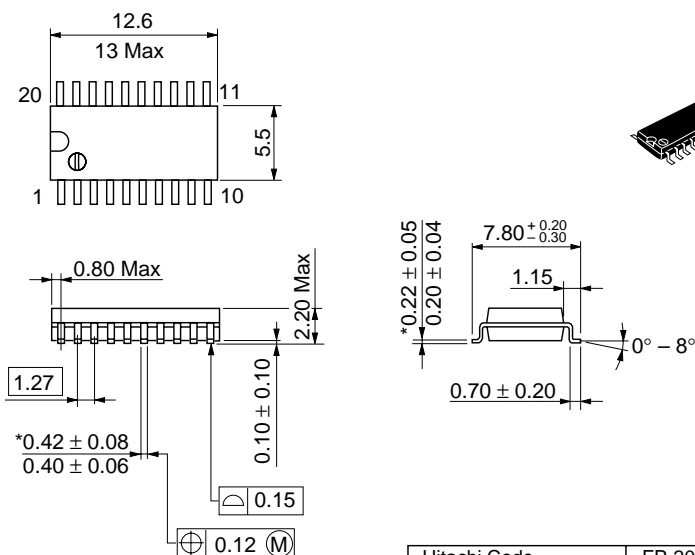
Package Dimensions

Unit: mm



Hitachi Code	DP-20N
JEDEC	—
EIAJ	Conforms
Mass (reference value)	1.26 g

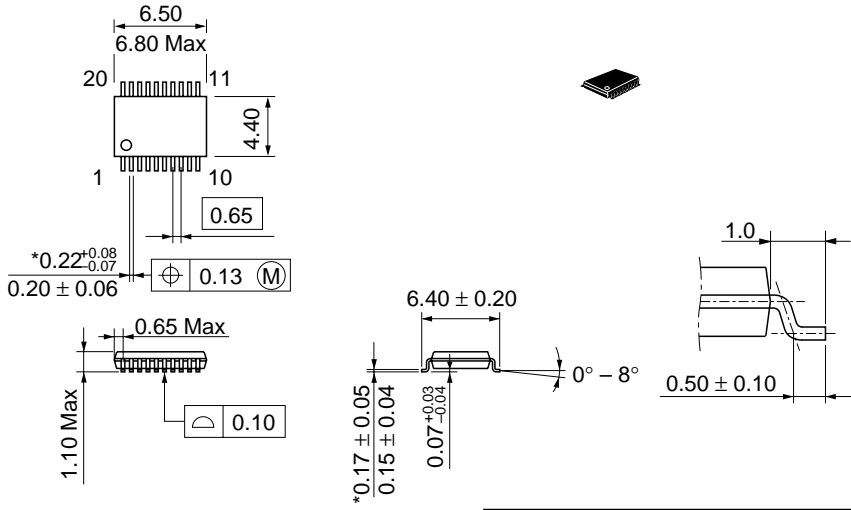
Unit: mm



*Dimension including the plating thickness
Base material dimension

Hitachi Code	FP-20DA
JEDEC	—
EIAJ	Conforms
Mass (reference value)	0.31 g

Unit: mm



*Dimension including the plating thickness
Base material dimension

Hitachi Code	TTP-20DA
JEDEC	—
EIAJ	—
Mass (reference value)	0.07 g

Cautions

1. Hitachi neither warrants nor grants licenses of any rights of Hitachi's or any third party's patent, copyright, trademark, or other intellectual property rights for information contained in this document. Hitachi bears no responsibility for problems that may arise with third party's rights, including intellectual property rights, in connection with use of the information contained in this document.
2. Products and product specifications may be subject to change without notice. Confirm that you have received the latest product standards or specifications before final design, purchase or use.
3. Hitachi makes every attempt to ensure that its products are of high quality and reliability. However, contact Hitachi's sales office before using the product in an application that demands especially high quality and reliability or where its failure or malfunction may directly threaten human life or cause risk of bodily injury, such as aerospace, aeronautics, nuclear power, combustion control, transportation, traffic, safety equipment or medical equipment for life support.
4. Design your application so that the product is used within the ranges guaranteed by Hitachi particularly for maximum rating, operating supply voltage range, heat radiation characteristics, installation conditions and other characteristics. Hitachi bears no responsibility for failure or damage when used beyond the guaranteed ranges. Even within the guaranteed ranges, consider normally foreseeable failure rates or failure modes in semiconductor devices and employ systemic measures such as fail-safes, so that the equipment incorporating Hitachi product does not cause bodily injury, fire or other consequential damage due to operation of the Hitachi product.
5. This product is not designed to be radiation resistant.
6. No one is permitted to reproduce or duplicate, in any form, the whole or part of this document without written approval from Hitachi.
7. Contact Hitachi's sales office for any questions regarding this document or Hitachi semiconductor products.

HITACHI

Hitachi, Ltd.

Semiconductor & Integrated Circuits.
Nippon Bldg., 2-6-2, Ohte-machi, Chiyoda-ku, Tokyo 100-0004, Japan
Tel: Tokyo (03) 3270-2111 Fax: (03) 3270-5109

URL	North America	: http://semiconductor.hitachi.com/
	Europe	: http://www.hitachi-eu.com/hel/ecg
	Asia	: http://sicapac.hitachi-asia.com
	Japan	: http://www.hitachi.co.jp/Sicd/indx.htm

For further information write to:

Hitachi Semiconductor
(America) Inc.
179 East Tasman Drive,
San Jose, CA 95134
Tel: <1> (408) 433-1990
Fax: <1> (408) 433-0223

Hitachi Europe GmbH
Electronic Components Group
Dornacher Straße 3
D-85622 Feldkirchen, Munich
Germany
Tel: <49> (89) 9 9180-0
Fax: <49> (89) 9 29 30 00

Hitachi Europe Ltd.
Electronic Components Group.
Whitebrook Park
Lower Cookham Road
Maidenhead
Berkshire SL6 8YA, United Kingdom
Tel: <44> (1628) 585000
Fax: <44> (1628) 585160

Hitachi Asia Ltd.
Hitachi Tower
16 Collyer Quay #20-00,
Singapore 049318
Tel: <65>-538-6533/538-8577
Fax : <65>-538-6933/538-3877
URL : <http://www.hitachi.com.sg>

Hitachi Asia Ltd.
(Taipei Branch Office)
4/F, No. 167, Tun Hwa North Road,
Hung-Kuo Building,
Taipei (105), Taiwan
Tel: <886>-(2)-2718-3666
Fax : <886>-(2)-2718-8180
Telex : 23222 HAS-TP
URL : <http://www.hitachi.com.tw>

Hitachi Asia (Hong Kong) Ltd.
Group III (Electronic Components)
7/F., North Tower,
World Finance Centre,
Harbour City, Canton Road
Tsim Sha Tsui, Kowloon,
Hong Kong
Tel : <852>-(2)-735-9218
Fax : <852>-(2)-730-0281
URL : <http://www.hitachi.com.hk>

Copyright © Hitachi, Ltd., 2000. All rights reserved. Printed in Japan.
Colophon 2.0

HITACHI