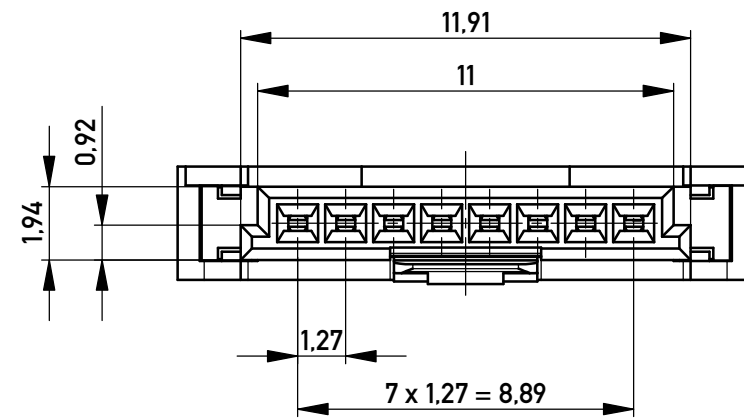
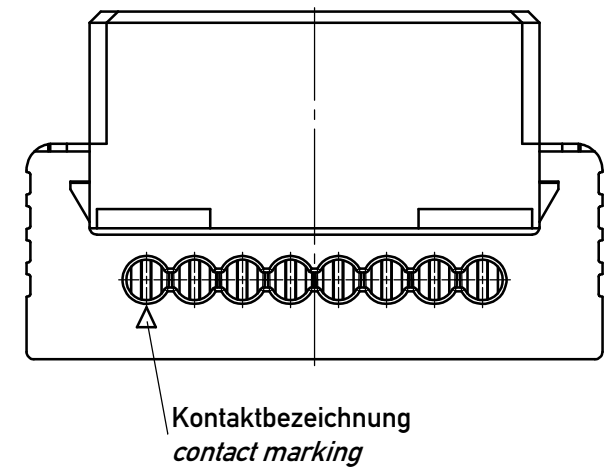
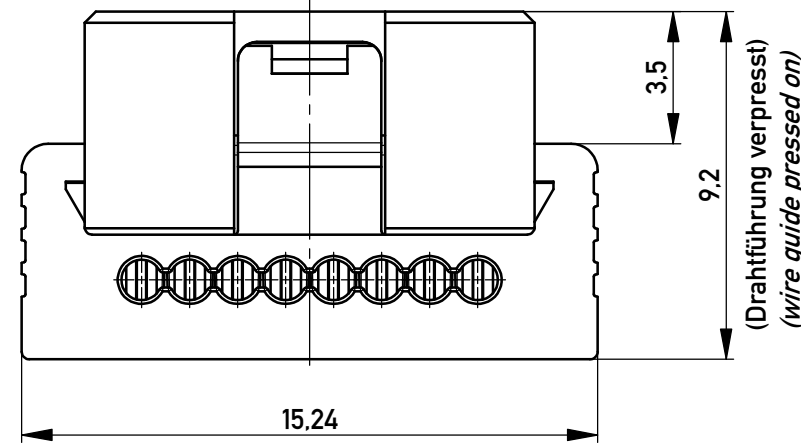
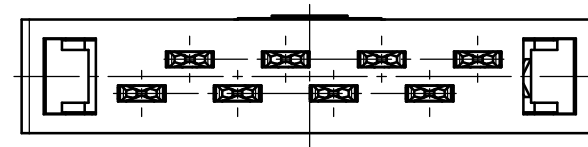
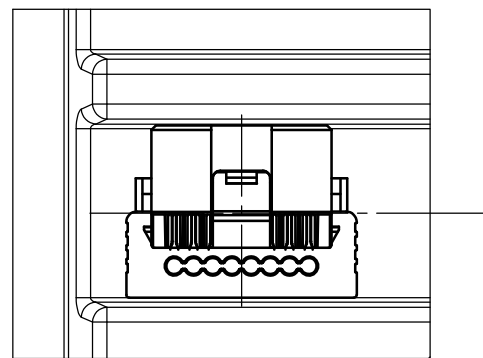


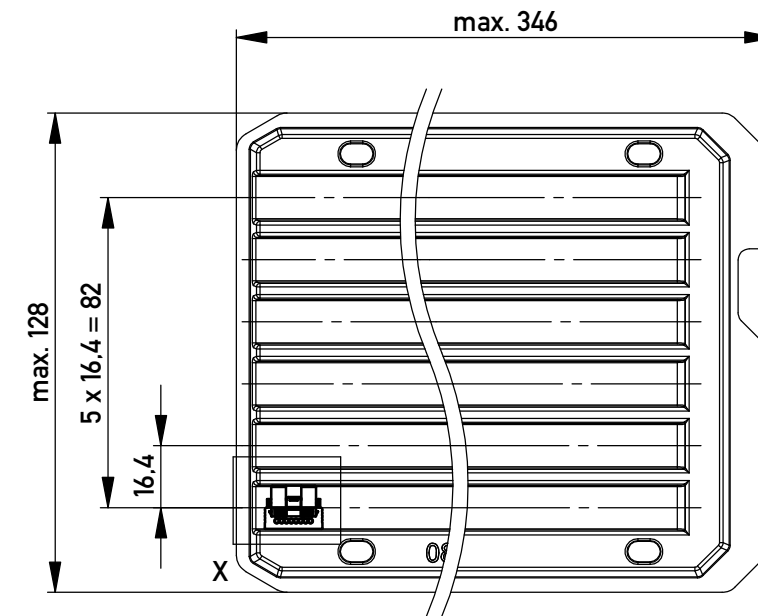
Flachbandkabelführung: rot
wire guide: red

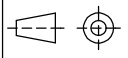



Einzelheit X - detail X
M 2:1



Verpackt in Tray - tray packaging
Verpackungseinheit 120 Stück - packaging unit 120 pcs



Information: nur mit Hilfsmittel lösbar only with tool unlockable	Tolerances  All Dimensions in mm	Scale	5:1
		Designation 1,27 SRC P SKV, 8-polig 1,27 SRC P IDC, 8-pin	
All rights reserved. Only for Information. To ensure that this is the latest version of this drawing, please contact one of the ERNI companies before using.	Subject to modification without prior notice. Drawing will not be updated.	 www.ERNI.com	
		100100030001	K A3
c Index	09.06.2010 Date	Class SRCP	

Copyright by ERNI GmbH
 Proprietary notice pursuant to ISO 16016 to be observed.