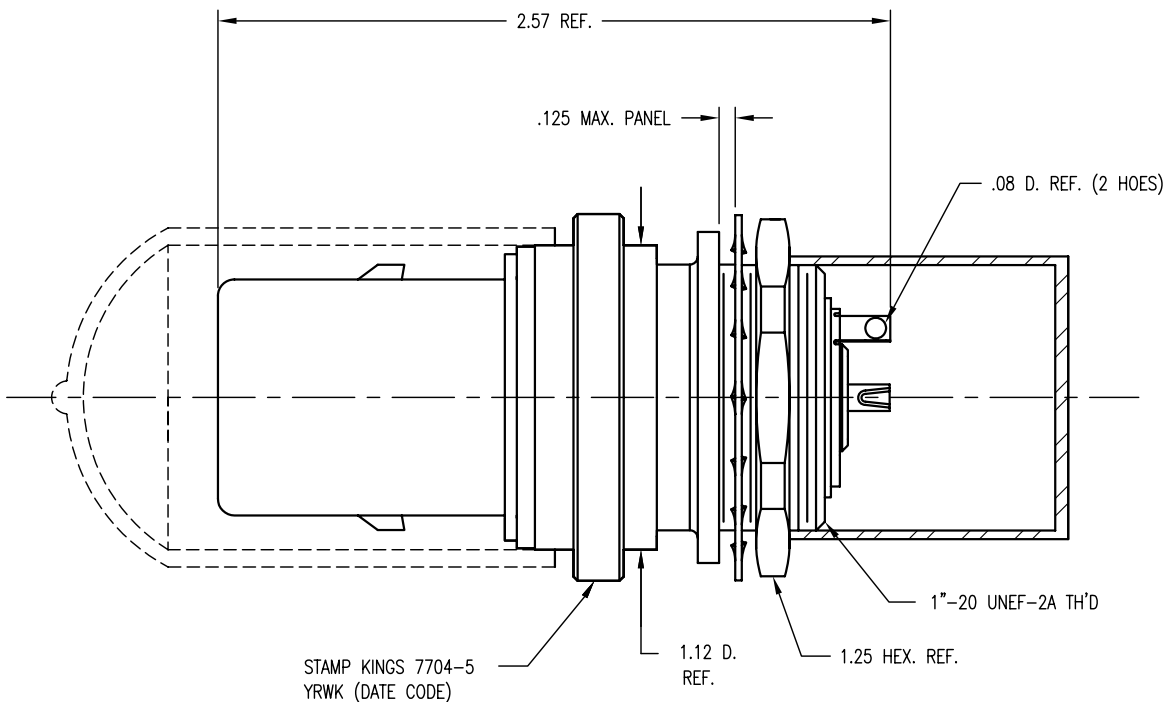


DASH NO. M CODE MADE FROM

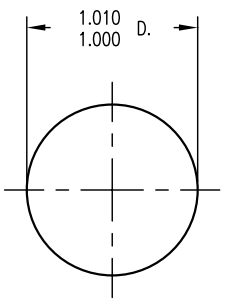
GSD

7704-5

REVISIONS	
ISSUE	CHANGES
0	ER 36669 ME 11/01/95
1	CN 37209 A KH 06/10/97
2	CN 37786 D HVN 03/16/99
3	CN 38120 C BDH 11/07/00
4	CN 38137 C TML 01/05/01
F	REVISED PER ER17266 GGR 8/06/2009



STAMP KINGS 7704-5  
YRWK (DATE CODE)



MOUNTING HOLE

- NOTES:
- MATERIALS:
    - CAPS: VINYL
    - INSULATORS: TEFLON, ASTM-D-4894
    - GASKETS: SILICONE RUBBER, ZZ-R-765
    - CONDUCTIVE GASKET: CONSIL C 87-10004, 60-70 DUROMETER
    - LOCKWASHER } SPRING STEEL, PER ASTM A682
    - RETAINING RING }
    - E-RING }
    - OUTER CONTACT: PHOSPHOR BRONZE, ASTM-B-103
    - BODY: BER. COPPER, ASTM-B-196
    - ALL OTHER METAL PARTS: BRASS, ASTM-B16

- FINISHES:
  - CENTER CONTACTS: GOLD PLATE PER MIL-G-45204
  - ALL OTHER METAL PARTS: KINGS TARNISH RESISTANT NICKEL FINISH (TR-5)
- ELECTRIAL CHARACTERISTICS:
  - FREQUENCY RANGE: DC-500 MHZ
  - NOMINAL IMPEDANCE: 75 ~W
  - VOLTAGE BREAKDOWN: CENTER CONDUCTOR/INNER GROUND: 1500 VOLTS RMS
  - INNER GROUND/OUTER GROUND: 500 VOLTS RMS

QGS0991

THIS DRAWING, THE DESIGNS AND IDEAS EMBODIED IN THE DEVICE TO WHICH IT RELATES, AND THE METHOD OF PRODUCING THE DEVICE, ARE THE PROPERTY OF WINCHESTER ELECTRONICS CORPORATION AND SHALL NOT BE EMPLOYED, COPIED, OR DISCLOSED TO ANYONE, IN ANY MANNER WITHOUT THE CONSENT OF WINCHESTER ELECTRONICS CORPORATION.

SCALE 2:1

APPROX SURFACE AREA

USED ON

REF: KP-8050-002-000

RCPT, BKHD, TRI-LOC,  
SERIAL DIGITAL

DRAWN ME DATE 11/01/95

DESIGN FD DATE 11/01/95

APPR. DATE

Winchester Electronics  
62 Barnes Industrial  
Road North  
Wallingford, CT 06492

GSD

7704-5