



New NFC Tag LSI

Near Field Communication LSI



NFC LSI with Low Power Consumption and High Security

Panasonic, a worldwide leader in Semiconductor Products, is pleased to introduce the **NEW NFC Tag LSI**. Featuring ultra low power and high security, this series can be used in all applications that utilize near field communication technology. With 4kB of integrated non-volatile FeRAM, the **NFC Tag LSI** provides fast, robust, and secure data storage. It is compliant with NFC forum standards and supports ISO/IEC14443 TypeB & FeliCa RF Interfaces.

Features

- Supports ISO/IEC14443 TypeB & FeliCa RF Interface
- Integrated 4kB Non-Volatile FeRAM
- AEC Encipherment Function
- RoHS Compliant

Benefits

- Compliant with NFC Forum Standards
- Low power, Ultra Fast, Robust, and Secure Data Storage
- Standardized Encryption and Authentication

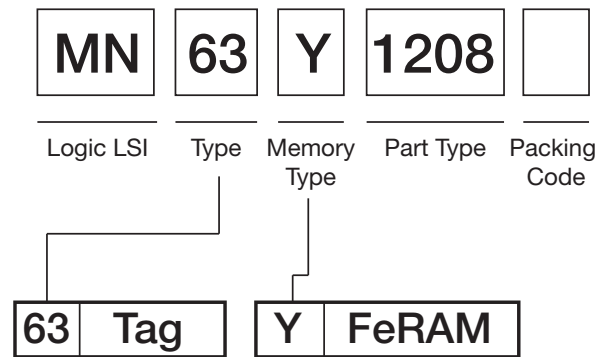
Industries

- Consumer Electronics
- Home Appliances
- Audio/Visual
- Office Equipment

Applications

- Refrigerators
- Electronic Scales
- Digital Cameras
- Printers
- Electronic Labels/Posters/Advertisements

Part Number Information



Additional Information

For detailed specification information on the **NFC Tag LSI**, visit our website at:

<http://www.panasonic.com/industrial/electronic-components/semiconductors>