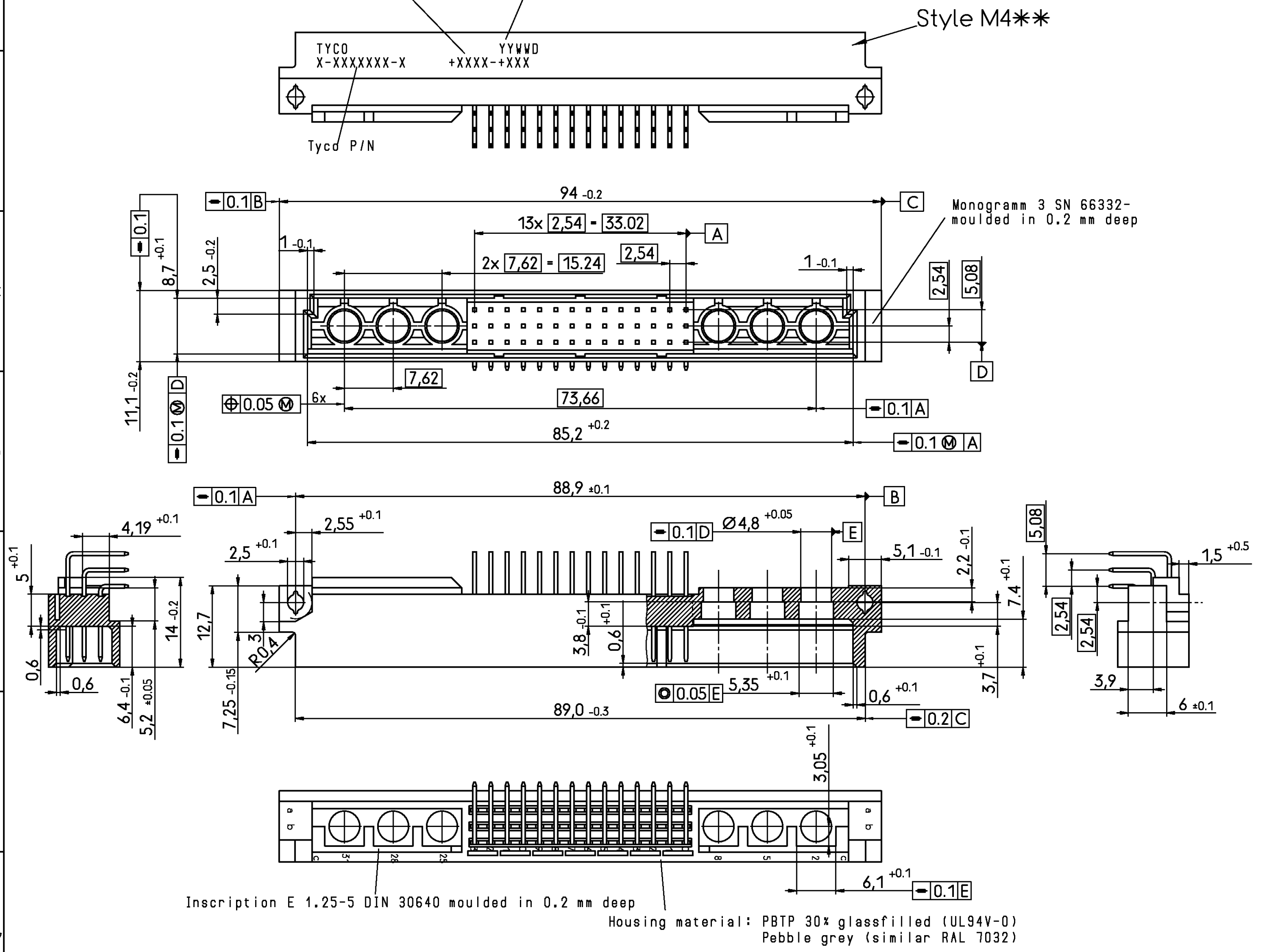
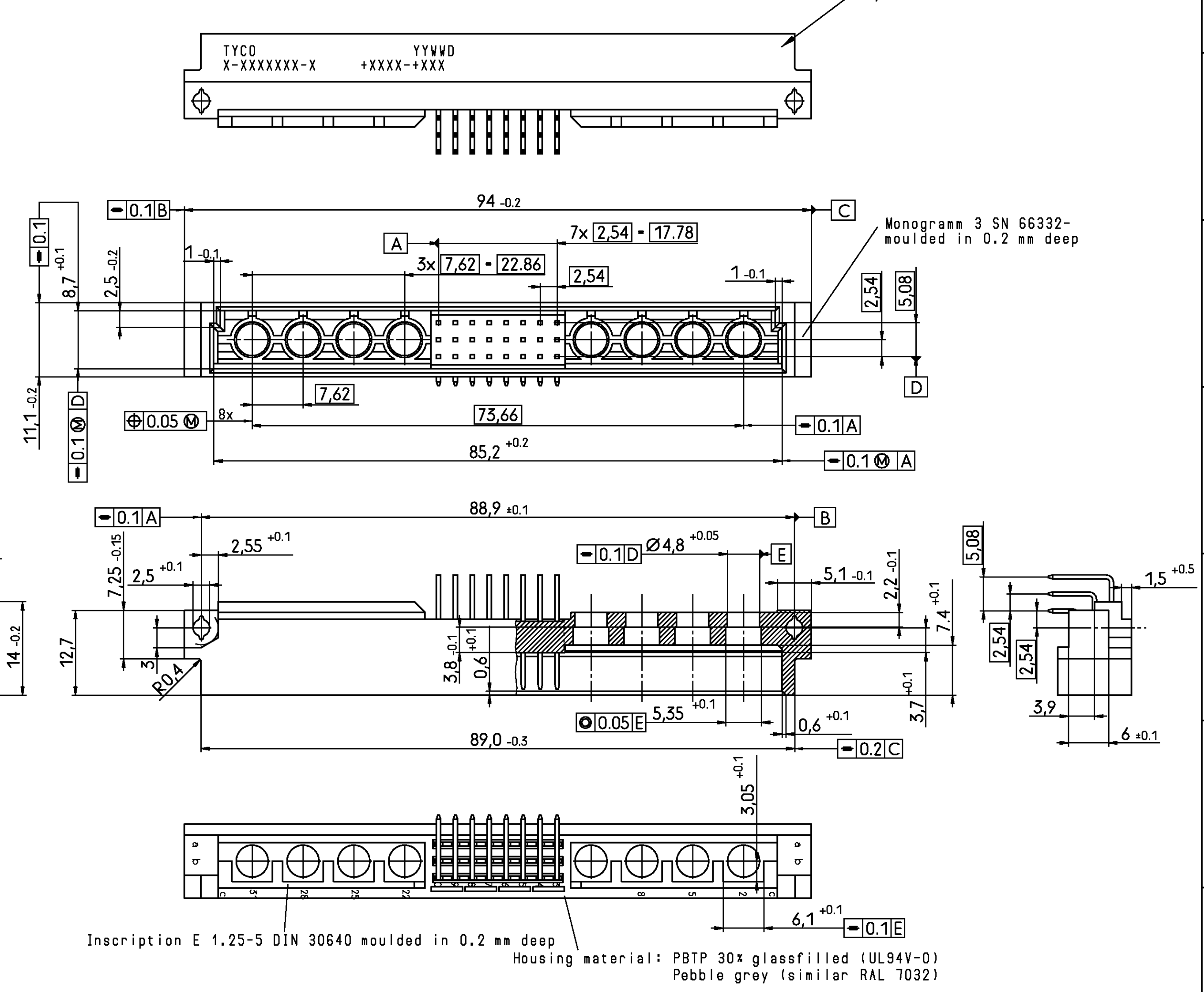


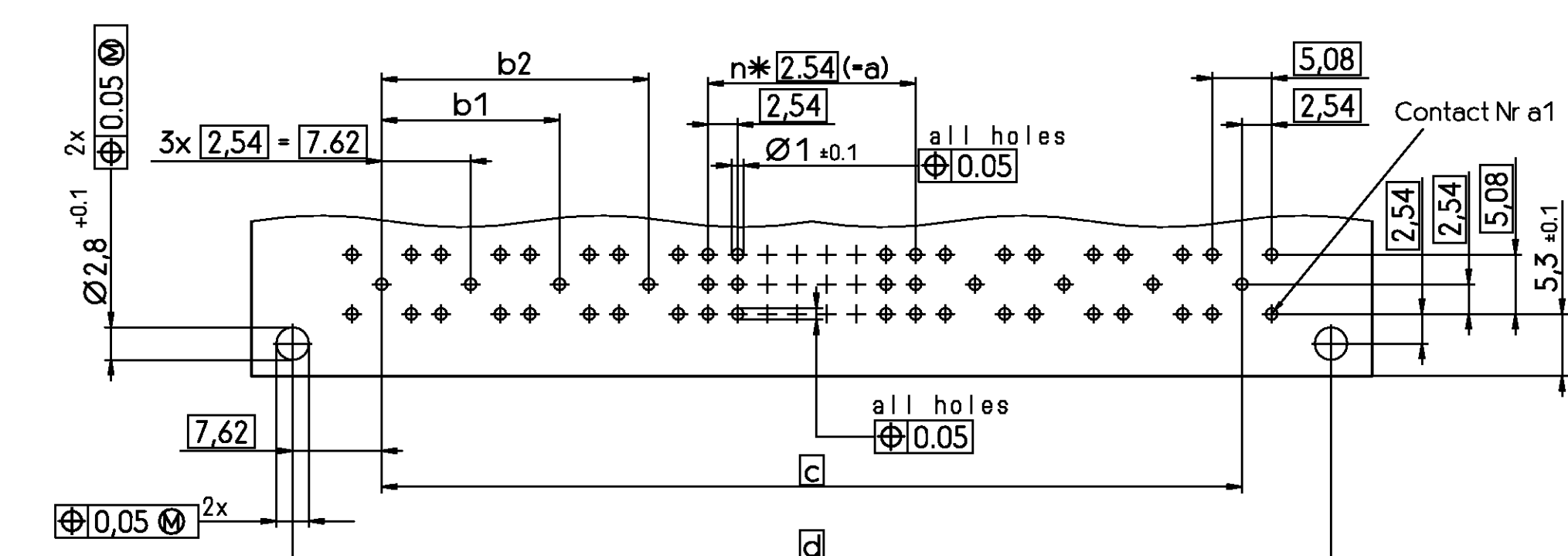
old P/N (without V42254-) Manufacturing date consisting of:  
 2 digits for the year (YY), 2 digits for the week (WW) and 1 digit for the day (D)



Style M2\*\*



Mounting holes in PCB



Øpp6orm	Polzahl	n	a	b1	b2	c	d
M	42 + max. 6 SC	13	33.02	6 x 2.54 = 15.24	-	73.66	88.9
M	24 + max. 8 SC	24	17.78	6 x 2.54 = 15.24	9 x 2.54 = 22.86	73.66	88.9

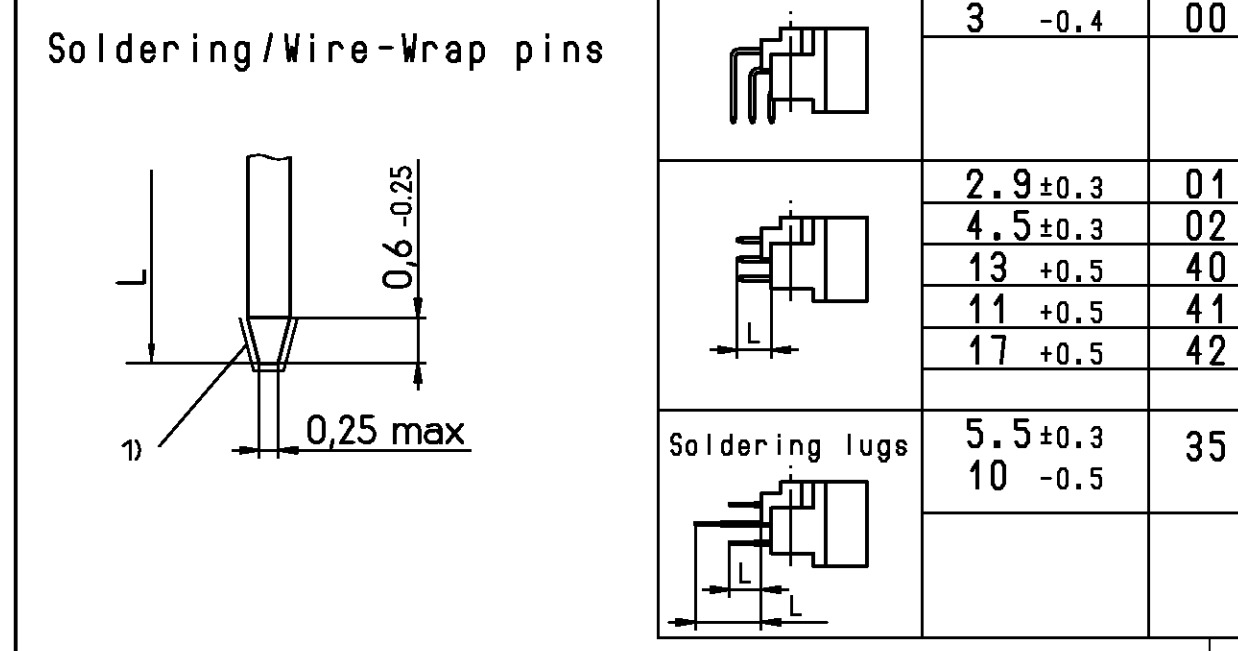
V 4 2 2 5 4 - B 1 \* \* \* - M \* \* \*

Code for performance level

Code for termination style

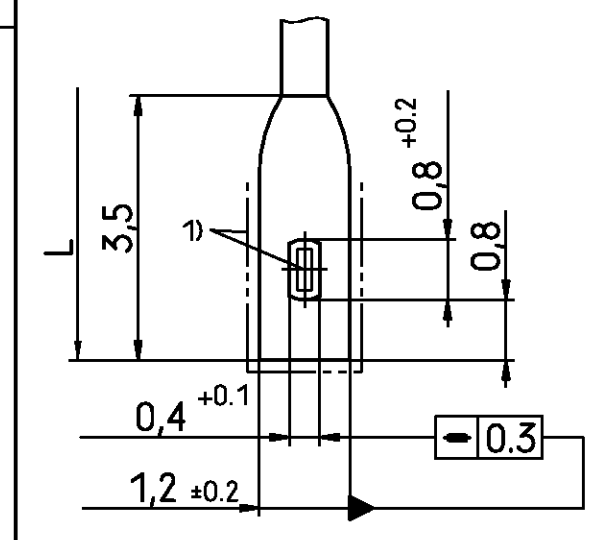
Style, nr of contacts and contact assignment : see page 2

Termination Style

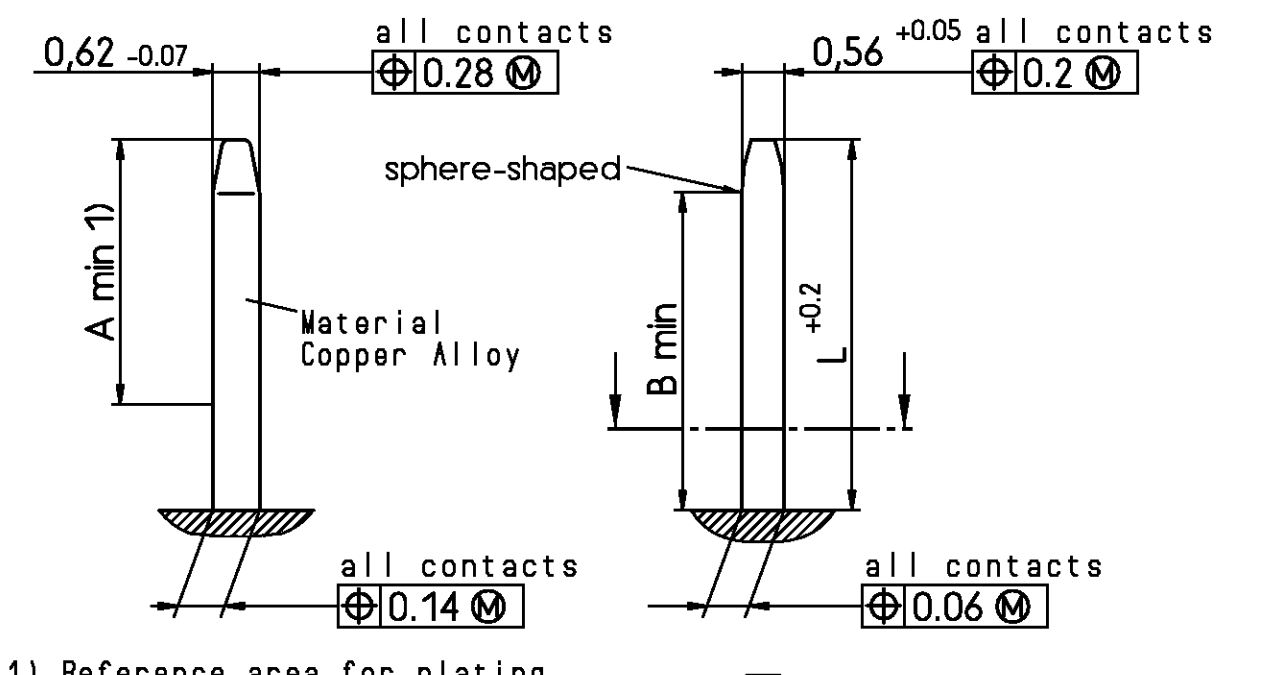


1) Cutting edges not plated  
 Terminations Sn plated

Soldering lug



Contact: Dimensions, plating, material, pre-mating

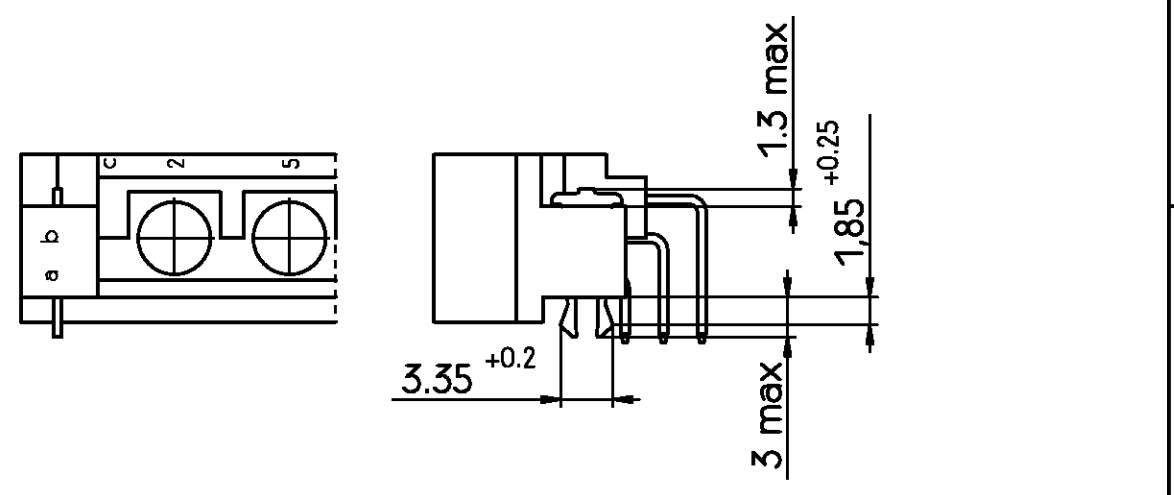


	L	A	B
normal contacts	4.8	3.5	4.2
pre-mating contacts	5.8	4.5	5.2

Performance level	Noble metals	Code
Class I	Pd + Au or Au	1
	Au	4
Class II	Pd + Au or Au	2
	Au	5
Class III	Pd + Au or Au	3

Nickel underlayer  
 Protection film: HF-grease

Male connector with board locks



Mounted in PC-boards of 1.5 to 1.8 mm  
 Fm < 60 N  
 Fr > 20 N  
 Fr >= 200 N, wenn soldered-in

Fa = Mounting force (for 1 connector = 2 Clips)  
 Fr = Retention force (for 1 connector = 2 Clips)

Mounted in PC-boards over 1.8 mm  
 Fm < 60 N  
 Fr >= 16 N

THIS INFORMATION IS CONFIDENTIAL AND PROPRIETARY TO TYCO ELECTRONICS CORPORATION AND ITS WORLDWIDE SUBSIDIARIES AND AFFILIATES. IT MAY NOT BE DISCLOSED TO ANYONE, OTHER THAN TYCO ELECTRONICS CORPORATION, WITHOUT WRITTEN AUTHORIZATION FROM TYCO ELECTRONICS CORPORATION, HARRISBURG, PENNSYLVANIA USA.

<b>tyco</b> TYCO ELECTRONICS CORPORATION		SCALE		WEIGHT	
COSTKAMP - BELGIUM		MATERIAL			
<b>Electronics</b>		DIMENSIONS IN MM			
C	EH10-0177-05	09FEB05	U.O	DATE	21.04.89
B2	SR10-0177-03	05 AUG 03	KV	NAME	Vanbessen
B1	SR10-0413-02	16 Sep 02	BC	DEP.	PD.COM
B	SR10-0150-01	10.04.01	BC	PART NAME	
A	WCO 007072	20.07.00	VS	Pin Assembly Eurocard, Type M	
O5	WCO 91223	09.04.91	CUV	with 6 and 8 Special Contacts	
REV.	CHANGE ORDER	DATE	APP.	PART NO.	
				V42254-B1***-M4***-7626	
				Customer Drawing Nr. C 2-1393644-4	


THIS INFORMATION IS CONFIDENTIAL AND PROPRIETARY TO TYCO ELECTRONICS CORPORATION AND ITS WORLDWIDE  
 SUBSIDIARIES AND AFFILIATES. IT MAY NOT BE DISCLOSED TO ANYONE, OTHER THAN TYCO ELECTRONICS PERSONNEL,  
 WITHOUT WRITTEN AUTHORIZATION FROM TYCO ELECTRONICS CORPORATION, HARRISBURG PENNSYLVANIA USA

1	2	3	4	5	6	7	8	
A								A
B								B
C								C
D								D
E								E
F								F

Product description code	Tyco Part Number	Style & Number of Positions	Termination posts	Loaded Rows	Standard Pre-Mating 1 mm 1)	Performance Level	Board Locks
V42254-B1100-M240	2-1393644-4	M24+8	right-angle solder leads	every row , every pitch	No	1	No
V42254-B1100-M420	2-1393644-6	M42+6	right-angle solder leads	every row , every pitch	No	1	No
V42254-B1135-M420	4-1393644-2	M42+6	solder lugs	every row , every pitch	No	1	No
V42254-B1200-M240	0-1393645-3	M24+8	right-angle solder leads	every row , every pitch	No	2	No
V42254-B1200-M420	0-1393645-7	M42+6	right-angle solder leads	every row , every pitch	No	2	No
V42254-B1200-M420B	0-1393645-8	M42+6	right-angle solder leads	every row , every pitch	No	2	No 2)
V42254-B1200-M423	0-1393645-9	M42+6	right-angle solder leads	row a+c , every pitch	No	2	No
V42254-B1299-M28B	3-1393646-9	M24+8	NONE	NONE	NO	N/A	NO 3)

- 3) HOUSING ONLY - NO TERMINATION POSTS FITTED
- 2) According to BT 236 level 2.
- 1) First and last contact of each loaded row is a pre mating (make first / break last) contact.

Active part numbers.  
 Contact Tyco Electronics for other configuration availability

<b>tyco</b>		TYCO ELECTRONICS CORPORATION				SCALE		WEIGHT	
<b>Electronics</b>		OOSTKAMP - BELGIUM		LOC GW		DIMENSIONS IN MM		MATERIAL	
DATE		21.04.89		PART NAME		PIN Assembly Eurocard, Type M			
NAME		Vanbesien		DEP.		PD COM			
TOLERANCE UNLESS SPECIFIED OTHERWISE				PART NO.		V42254-B1***-M4**-*-7626			
REV.		CHANGE ORDER		DATE		APP.		Customer Drawing Nr. C 2-1393644-4	
C		SEE SHEET 1						SHT. 2-	
B2		SEE SHEET 1						OF 2	