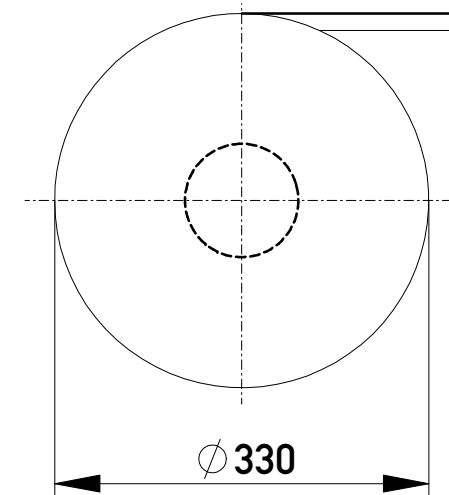


Verpackt im Gurt nach DIN IEC 60286-3  
 Tape on Reel Packaging according to DIN IEC 60286-3  
 Verpackungseinheit: 650 Stück  
 Packaging unit: 650 pcs



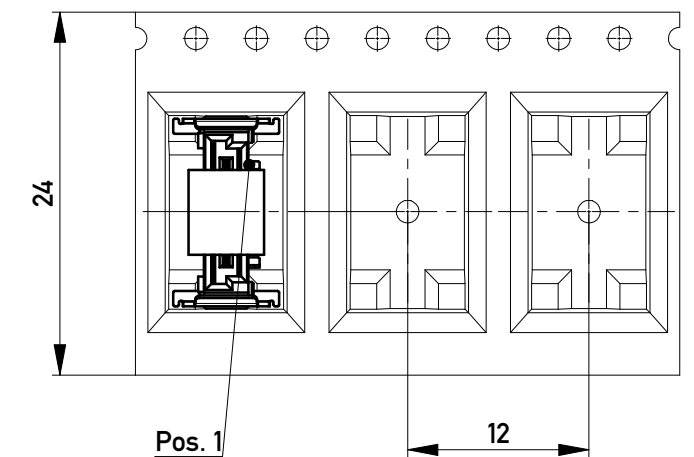
Anforderungsstufe 1  
 Performance Level 1

Kontaktbereich vergoldet  
 Mating Area gold plating

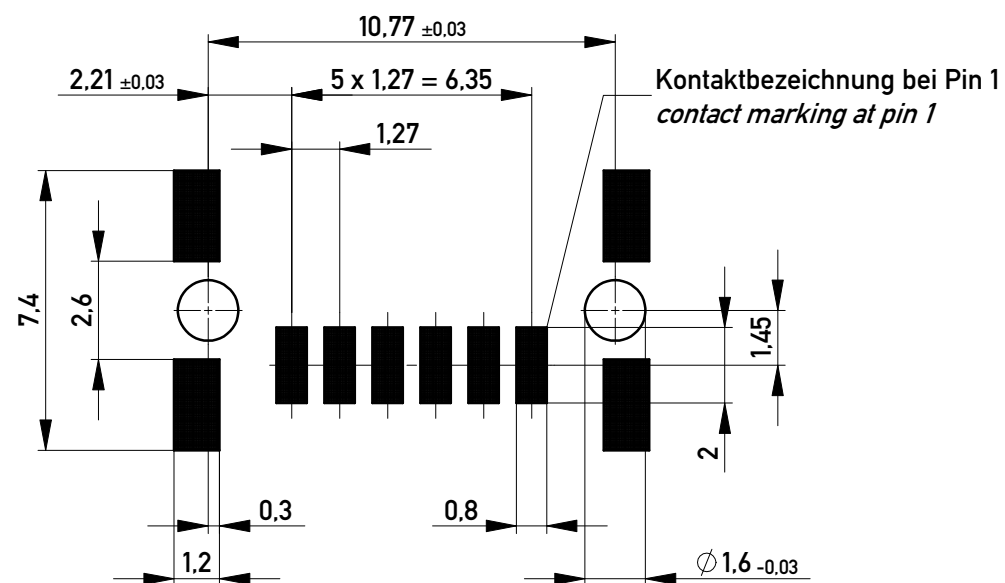
Anschlussbereich verzinkt 4-6 µm  
 Terminal Area 4-6 µm tin plating

Koplanarität der Anschlüsse ≤ 0,1 mm  
 Coplanarity Area of Termination ≤ 0,1 mm

Abspulrichtung - Reel off Direction



Leiterplatten-LAYOUT für SMT  
 PCB-Layout for SMT



Copyright by ERNI GmbH  
 Proprietary notice pursuant to ISO 16016 to be observed.

Information:		Tolerances		Scale	5:1
All rights reserved. Only for Information. To ensure that this is the latest version of this drawing, please contact one of the ERNI companies before using.		Subject to modification without prior notice. Drawing will not be updated.		Designation	
		www.ERNI.com		M 1,27 SRC P, 6-polig BA1	
d	26.02.2014			100200100005	
Index	Date			K	
				A3	
				Class SRCP	