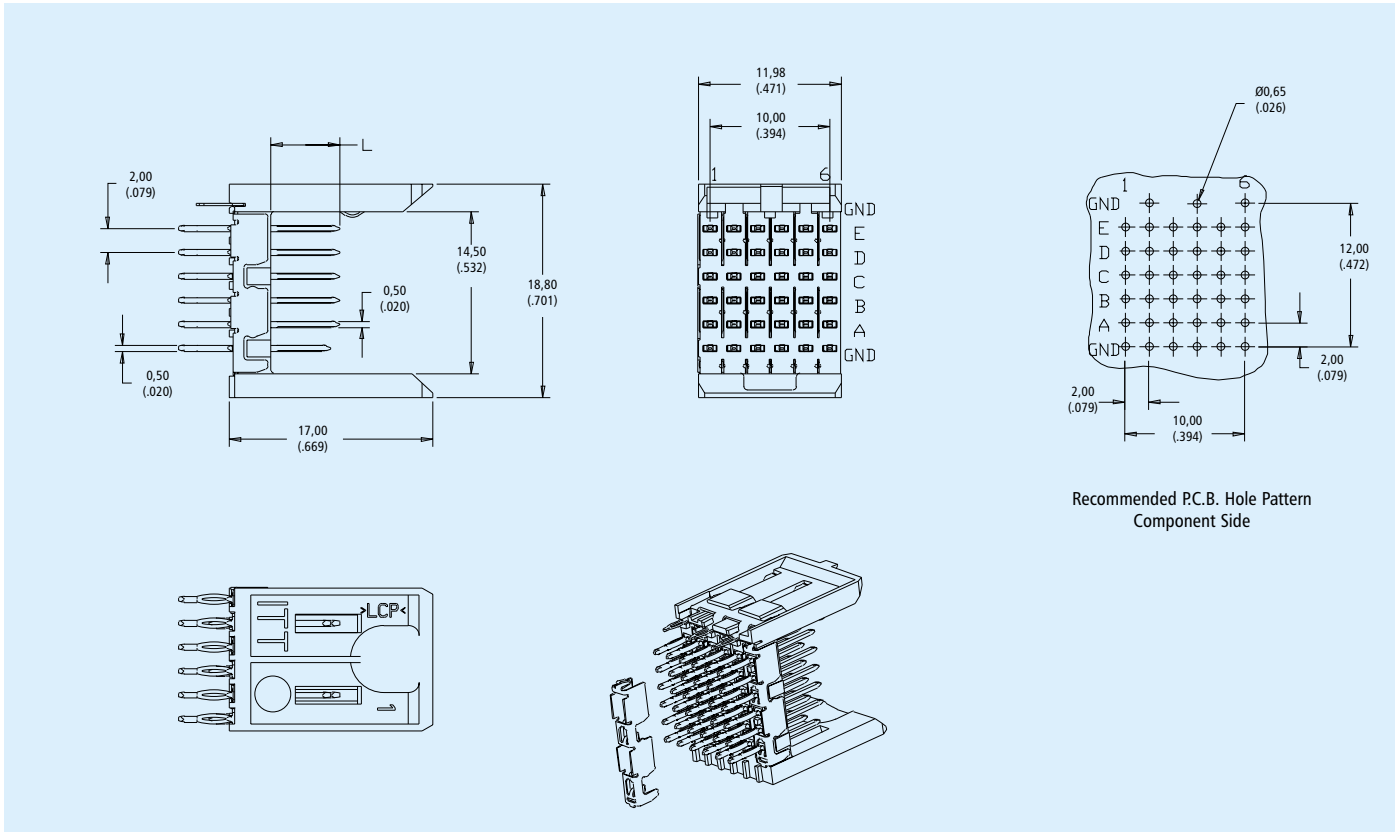


5-ROW - MALE SIGNAL MODULES - WIDE BODY



Refer to Design Notes on page 14 for circuit board drill and hole plating details.

- \* (Refer to Customer Drawing Number K026717Y2016.)
- \* \* (Refer to Customer Drawing Number K026717Y2025.)

Part Number Nomenclature: CBC20HSwww-030WXP3-zzz-y-VR

**www : Series Number:** 1000 = without stripline shield \*  
2000 = with stripline shield \* \*

**y : Plating Selection:** 1 : 0.7 μm PdNi (Palladium Nickel)  
2 : 1.27μm Au (Gold)  
3 : 0.8 μm Au (Gold)

zzz : Sequencing/Pin Length, dim 'L':

Pattern No.*	GND-Row	Row-A	Row-B	Row-C	Row-D	Row-E
501	5.00 (.196)	5.00 (.196)	5.00 (.196)	5.00 (.196)	5.00 (.196)	5.00 (.196)
502	5.00 (.196)	6.50 (.255)	5.00 (.196)	5.00 (.196)	5.00 (.196)	5.00 (.196)
503	5.00 (.196)	6.50 (.255)	5.75 (.226)	5.75 (.226)	6.50 (.255)	5.75 (.226)
505	5.00 (.196)	6.50 (.255)	6.50 (.255)	6.50 (.255)	6.50 (.255)	6.50 (.255)
509	5.00 (.196)	5.75 (.226)	5.75 (.226)	5.75 (.226)	5.75 (.226)	5.75 (.226)

\*Other loading patterns possible upon request.